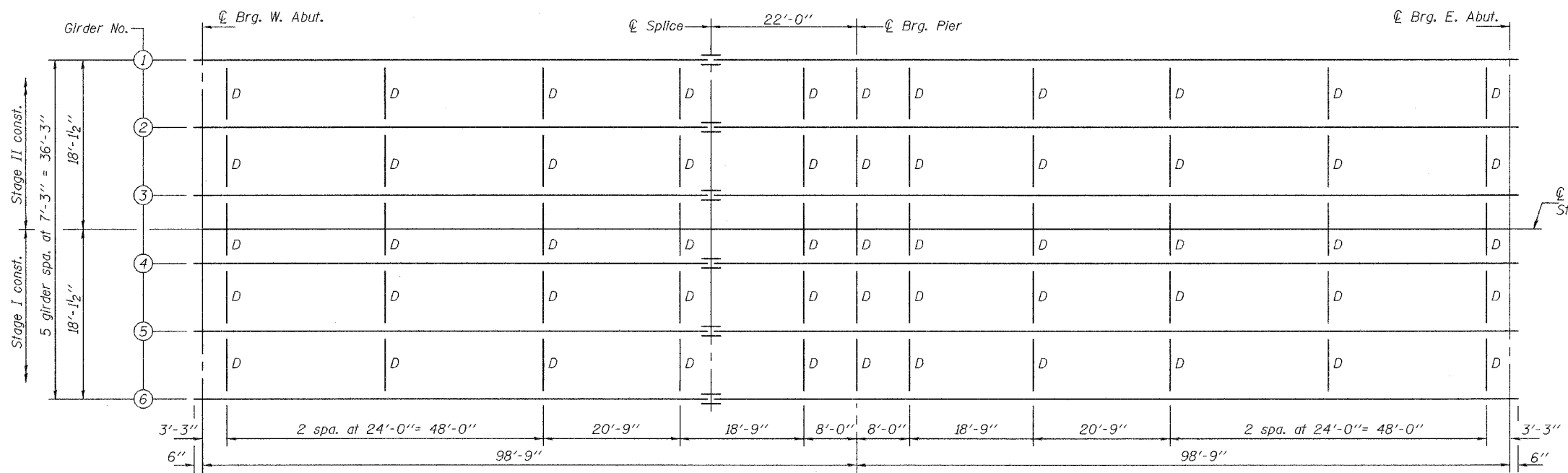


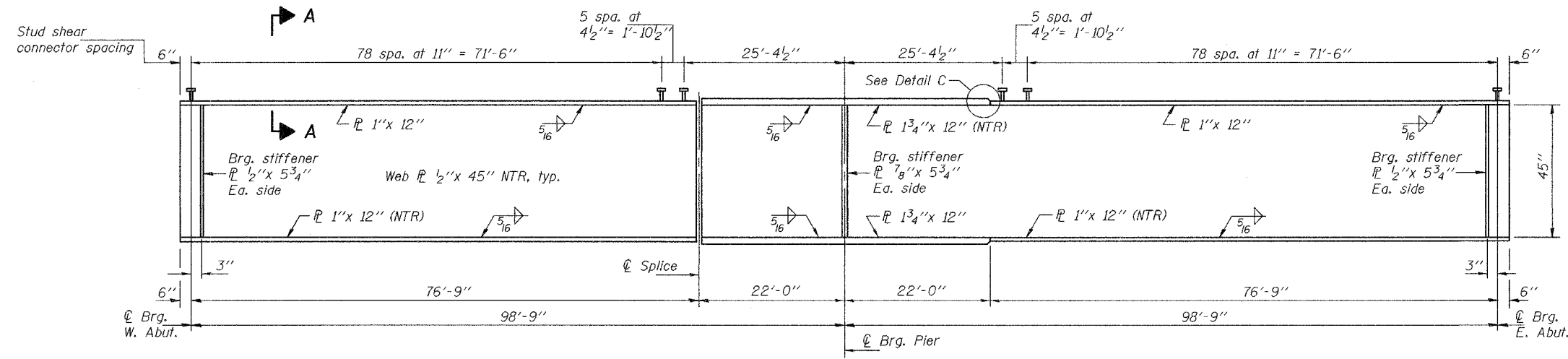
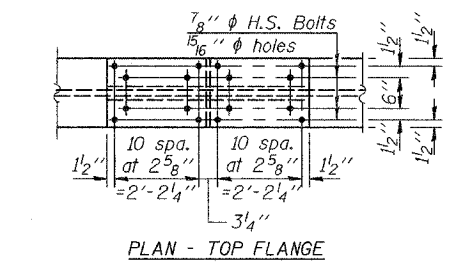
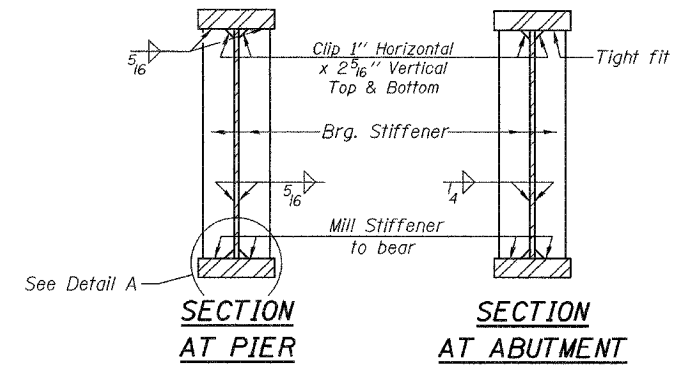
STATE OF ILLINOIS  
DEPARTMENT OF TRANSPORTATION

ROUTE NO.	SECTION	COUNTY	TOTAL SHEETS	SHEET NO.	SHEET NO. 9 17 SHEETS
FAP 327	13B-1 & 13B-2	MARION	78	43	
FED. ROAD DIST. NO. 7		ILLINOIS	FED. AID PROJECT-		

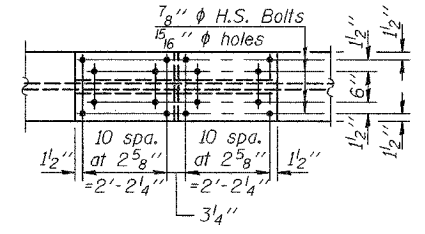
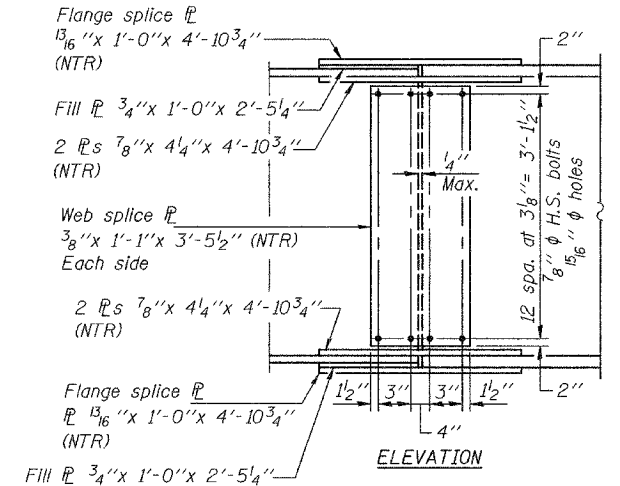
Contract No. 94964



PLAN



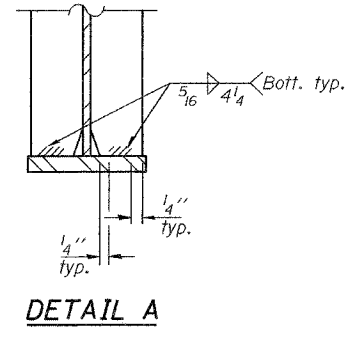
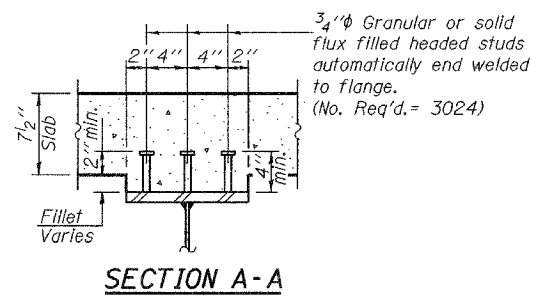
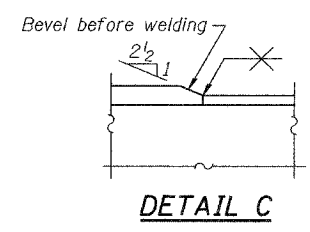
GIRDER ELEVATION



PLAN - BOTTOM FLANGE  
SPlice DETAIL

Notes: All splice plates shall be AASHTO M 270, Grade 50, except fill plates.  
NTR denotes plates to which Notch Toughness Requirements are applicable.  
Omit connection plate at exterior side of exterior beams.

All plates of the girder, including bearing stiffeners, shall be AASHTO M270 Grade 50.



DESIGNED	R.L.M.
CHECKED	G.R.A.
DRAWN	h.t. duong
CHECKED	R.L.M./G.R.A.

Feb 2, 2006  
EXAMINED *Thomas J. Donagale*  
PASSED *Ralph E. Anderson*  
ENGINEER OF BRIDGE DESIGN  
ENGINEER OF BRIDGES AND STRUCTURES

STRUCTURAL STEEL  
F.A.P. RTE. 327 - SEC. 13B-1 & 13B-2  
MARION COUNTY  
STATION 375+53.00  
STRUCTURE NO. 061-0091