

ROUTE	SECTION	COUNTY	TOTAL SHEETS	SHEET NO.
F.A.S. 801	03-00110-00-BR	RICHLAND	13	4
CONTRACT NO. 95456		ILLINOIS	PROJECT NO. BRS-801(228)	

GENERAL NOTES

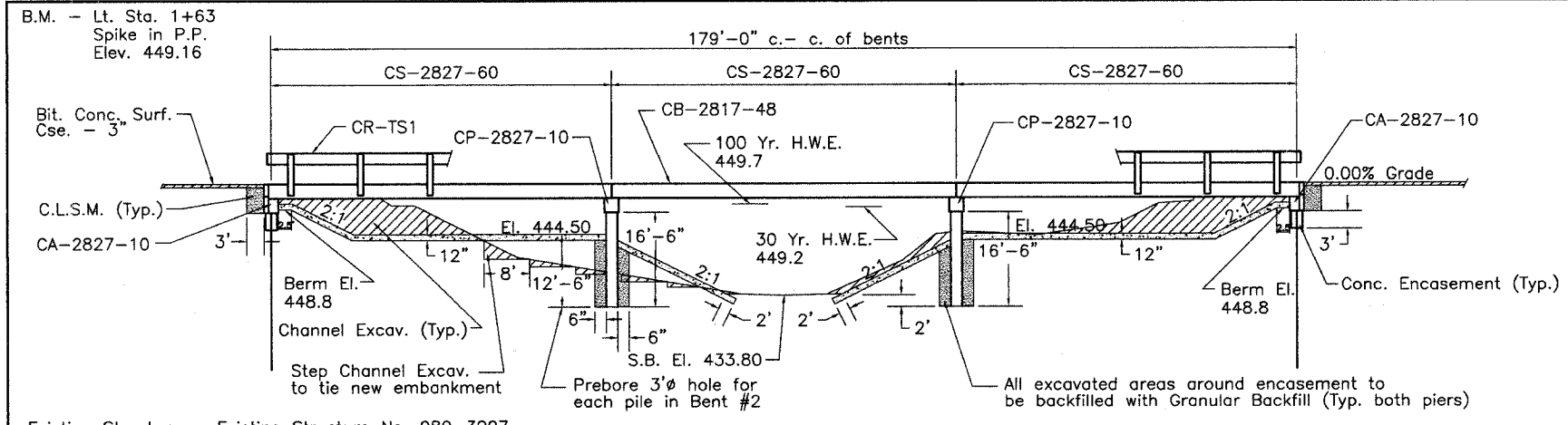
- The Contractor shall drive 2 test piles as specified in a permanent location as directed by the Engineer before ordering the remaining piles.
- See Special Provisions for boring logs.
- Channel Excavation: This material shall be excavated as shown within the limits of the proposed bridge then tapered to the existing channel at the Roadway R.O.W. It is estimated that 50% of the Channel Excavation will be suitable for use in the embankment. Unsuitable material shall be disposed of by the Contractor. The quantity of excavation required to shape / move existing ditches is included in the quantity for Channel Excavation.
- A Corrosion Inhibitor as covered in the Special Provisions, shall be used in the concrete for precast prestressed concrete deck beams.
- Reinforcement bars shall conform to the requirements of AASHTO M-31 or M322, Grade 60.

TOTAL BILL OF MATERIAL

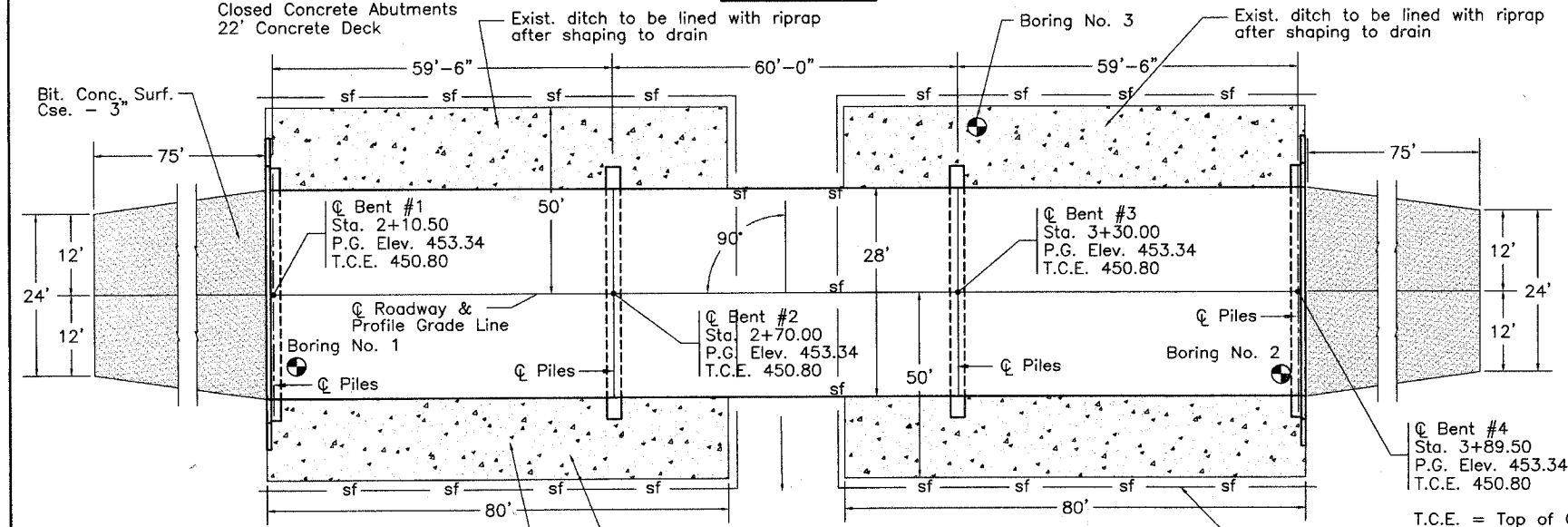
Item	Unit	Super	Sub.		Total
			Piers	Abuts.	
Removal of Existing Structures	Each				1
Concrete Structures	Cu.Yds.		17.2	20.8	38.0
Precast Prestressed Concrete Deck Beams (27" Depth)	Sq.Ft.	5040			5040
Steel Railing, Type S-1	Foot	360			360
Reinforcement Bars	Pound		1760	2580	4340
Furnishing Steel Piles HP 12 X 53	Foot		585	405	990
Driving Steel Piles	Foot		585	405	990
Test Pile Steel HP 12 X 53	Each		1	1	2
Name Plates	Each			1	1
Concrete Encasement	Cu.Yds.		25.9	3.4	29.3
Stone Dumped Riprap, Class A-4	Tons			900	900
Channel Excavation	Cu.Yds.			490	490
Waterproof Membrane System	Sq.Yds.	560			560
Portland Cement Mortar Fairing Cse.	Foot	1080			1080
Controlled Low-Strength Material	Cu.Yds.			40	40
Bit. Conc. Surf. Cse., Superpave	Ton	66			66
Fence (Erosion Control)	Foot			420	420
Preboring Steel Piling	Foot		90		90
Granular Backfill	Ton		160		160

INDEX OF SHEETS

- GENERAL PLAN & ELEVATION
- STANDARD CS-2827-60
- STANDARD CB-2827-48
- STANDARD CA-2827-10
- STANDARD CP-2827-10
- STANDARD CR-TS1
- STANDARD CN
- STANDARD CX-1



ELEVATION



PLAN

Salvage - Any material deemed salvageable by the Engineer shall be stockpiled on the R.O.W. and shall become the property of Richland County. The Contractor shall dispose of all remaining material.

DESIGN SPECIFICATIONS

2002 AASHTO Standard Specifications - 17th ed.

LOADING HS20-44

Allow 25#/sq. ft. for future wearing surface

SEISMIC DATA

Seismic Performance Category (SPC) = A
 Bedrock Acceleration Coefficient (A) = 8.5% g
 Site Coefficient (S) =

PILE DATA (2-ABUTS.)

Type	HP 12 X 53
Capacity	Refusal
Estimated Length	45'
Number Required	10 (Includes 1 Test Pile located in Bent #1)

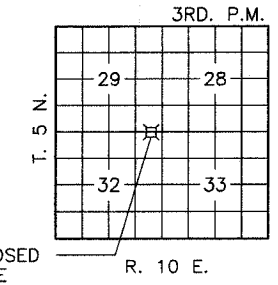
PILE DATA (2-PIERS)

Type	HP 12 X 53
Capacity	Refusal
Estimated Length	45'
Number Required	14 (Includes 1 Test Pile located in Bent #2)

STATION 3+00.00
 FOX RIVER
 SEC. 03-00110-00-BR BUILT 200
 RICHLAND COUNTY
 PROJECT BRS-801(228)
 LOADING HS-20
 STR. NO. 080-3210

LETTERING FOR NAME PLATE

Locate Name Plate at S.W. corner of Bridge (See Std. CN)



LOCATION SKETCH

WATERWAY INFORMATION

Drainage Area = 28.7 Sq. Mi.		Low Grade Elev. = 453.3 @ Sta. 1+25			
Flood Yr.	Q ft ³ /s	Opening ft ² Exist.	Nat. H.W.E. Prop.	Head - ft Exist.	Headwater Prop.
Design	30 2950	1125 1145	449.2	0.00 0.00	449.2 449.2
Base	100 3795	1191 1230	449.7	0.02 0.00	449.72 449.7
Overtopping					
Max. Calc.	500				

GENERAL PLAN & ELEVATION

F.A.S. ROUTE 801
 OVER FOX RIVER
 SECTION 03-00110-00-BR
 RICHLAND COUNTY
 STATION 3+00.00