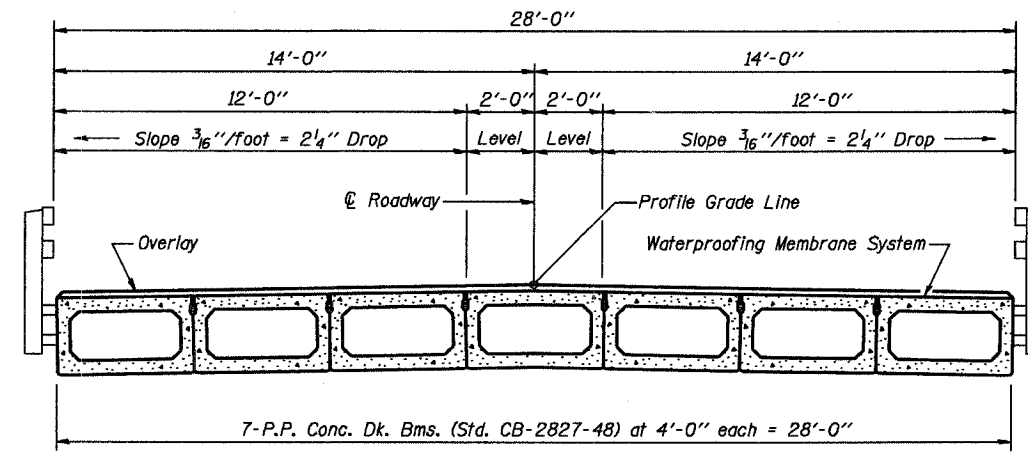
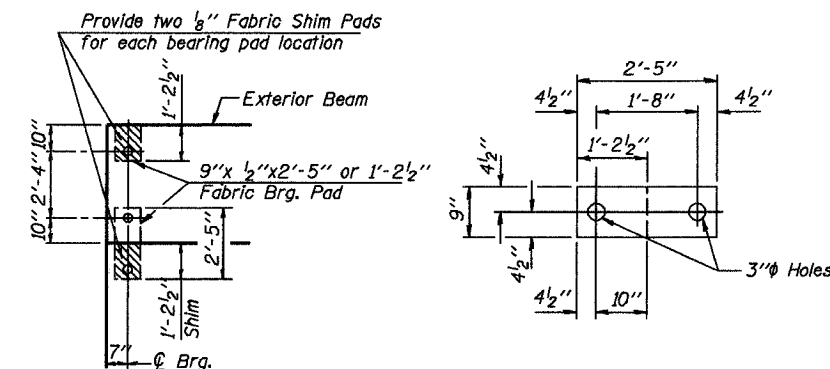


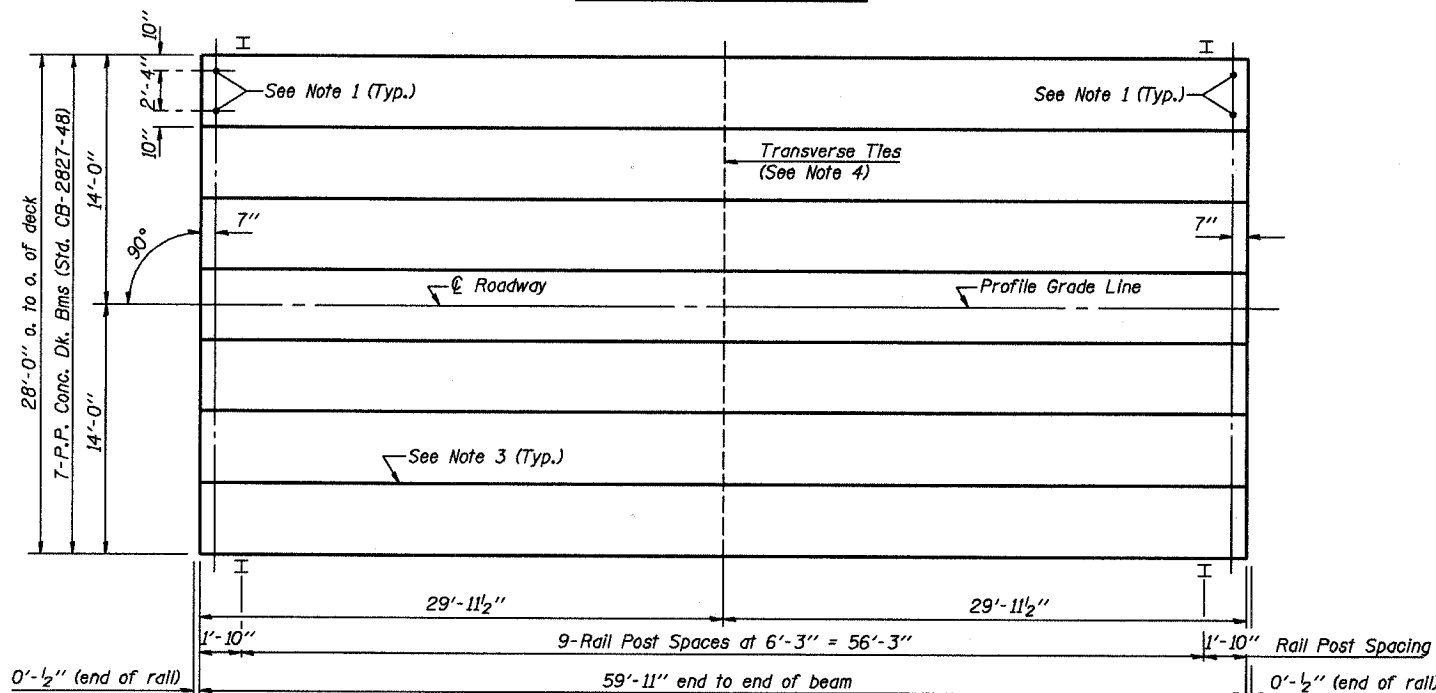
TYPICAL ELEVATIONS



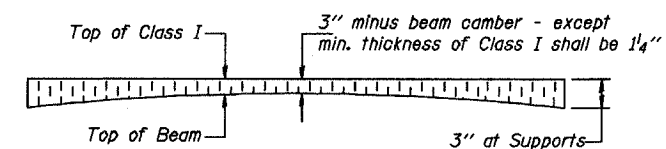
CROSS SECTION



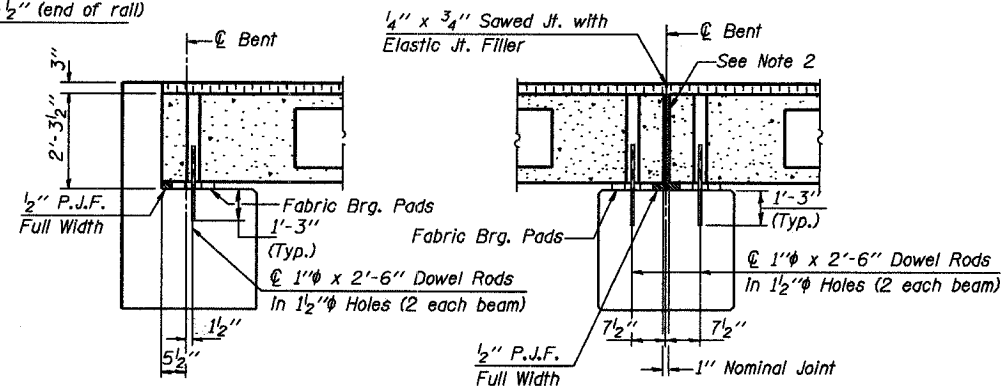
1/2" FABRIC BRG. PAD DETAILS



PLAN



PROFILE OF OVERLAY



SECTION AT ABUTS.
(Along C Beams)

SECTION AT PIERS
(Along C Beams)

NOTES

1. After beams have been erected, holes shall be drilled into substructure and anchor dowels placed. Dowel holes shall be filled with non-shrink grout to top of beam and allowed to cure min. 24 hrs. prior to grouting the shear keys.
2. Nominal 1" joint at C Pier shall be filled with non-shrink grout.
3. Longitudinal keys shall be grouted.
4. The 1" ϕ rods in the transverse tie assembly shall be tightened to a snug fit and the threads set. Pockets that receive transverse tie bar outside shall be filled with grout after transverse tie assembly is in place.

QUANTITIES FOR ONE SPAN

P.P. Conc. Dk. Bm. 17" Dp.	1680 Sq. Ft.
Steel Railing	120 Ft.
Waterproofing Membrane System	186.7 Sq. Yds.
Portland Cement Mortar	360 Ft.
Fairing Course	

Note: Quantity of overlay for one span = 21.9 Tons

P.P.C. DECK BEAM SUPERSTRUCTURE			
28' RDWY.	27" BMS.	60' SPAN	0° SKEW
STANDARD CS-2827-60			

Illinois Department of Transportation
 PASSED APRIL 4, 2005
 Thomas J. Demas
 Engineer of Bridge Design
 APPROVED APRIL 4, 2005
 Ralph E. Anderson
 Engineer of Bridges and Structures