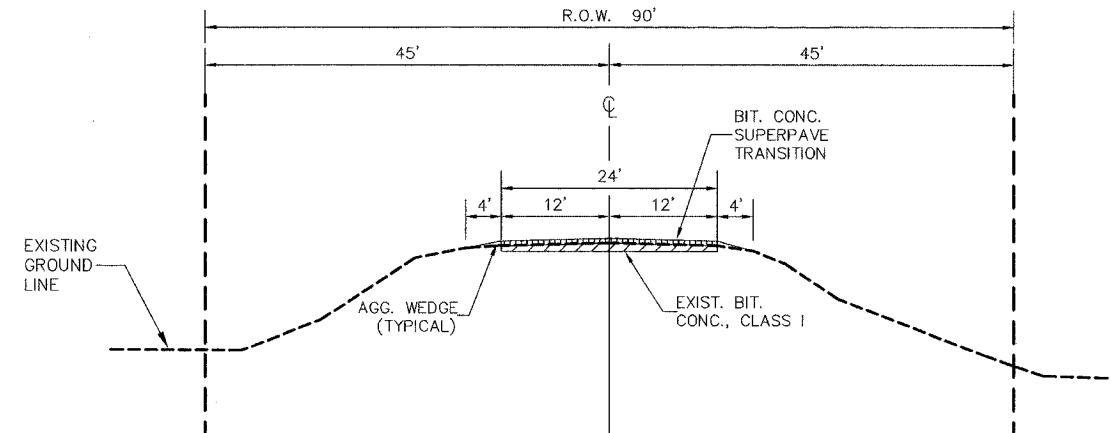


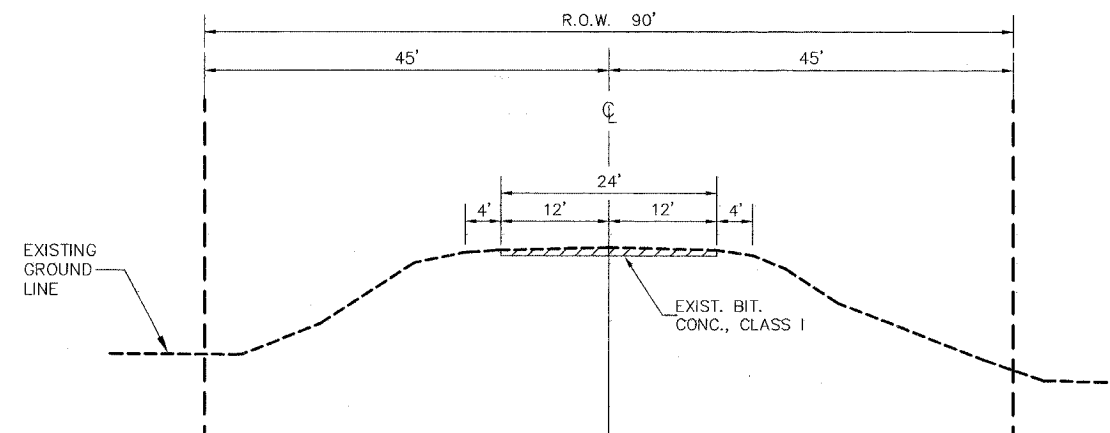
ROUTE NO.	SECTION	COUNTY	TOTAL SHEETS	SHEET NO.
C.H. 5 (SHATTUC RD)	02-00079-00-BR	CLINTON	15	2

CONTRACT NO. 97267

LOCATION OF WORK				ROAD STA.	BRIDGE STA.
				22+51 TO 25+58	23+54.92
SUMMARY OF QUANTITIES					
CODE NO.	ITEM	UNIT	QUANTITY	1000	X080-2A
28100805	STONE DUMPED RIPRAP CLASS A3	TON	30.0		30.0
40600200	BITUMINOUS MATERIALS (PRIME COAT)	TON	0.3	0.3	
48101200	AGGREGATE SHOULDERS, TYPE B	TON	20.0	20.0	
50101500	REMOVAL OF EXISTING SUPERSTRUCTURES	EACH	1.0		1.0
50102400	CONCRETE REMOVAL	CU. YD.	4.0		4.0
50300225	CONCRETE STRUCTURES	CU. YD.	24.0		24.0
50400305	PRECAST PRESTRESSED CONCRETE DECK BEAMS, 17" DEPTH	SQ. FT.	2,947.0		2,947.0
50800205	REINFORCEMENT BARS EPOXY COATED	POUND	3,020.0	120.0	2,900.0
50901005	STEEL RAILING TYPE SM	FOOT	211.0		211.0
51500100	NAME PLATES	EACH	1.0		1.0
58100200	WATERPROOFING MEMBRANE SYSTEM	SQ. YD.	332.1		332.1
63000000	STEEL PLATE BEAM GUARDRAIL, TYPE A	FOOT	237.5	237.5	
63000130	STEEL PLATE BEAM GUARDRAIL, TYPE A (SPECIAL)	FOOT	25.75	25.75	
63100045	TRAFFIC BARRIER TERMINAL, TYPE 2	EACH	1.0	1.0	
63100075	TRAFFIC BARRIER TERMINAL, TYPE 5A	EACH	3.0	3.0	
63100167	TRAFFIC BARRIER TERMINAL, TYPE 1, SPECIAL (TANGENT)	EACH	2.0	2.0	
67100100	MOBILIZATION	L. SUM	1.0	1.0	
78201000	TERMINAL MARKER DIRECT APPLIED	EACH	3.0	3.0	
LR631020	TRAFFIC BARRIER TERMINAL, TYPE 1 (BLR 23-1)	EACH	1.0	1.0	
X4066414	BITUMINOUS CONCRETE SURFACE COURSE, SUPERPAVE, MIX "C" N50	TON	130.0	88.0	42.0
XX004093	CONCRETE SLOPEWALL REMOVAL	SQ. FT.	147.0		147.0
XX004094	CONCRETE SLOPEWALL	SQ. FT.	147.0		147.0
XX004949	INCIDENTAL BITUMINOUS SURFACING, SUPERPAVE	TON	10.0	10.0	
Z0001900	ASBESTOS BEARING PAD REMOVAL	EACH	2.0		2.0
Z0013825	CONTROLLED LOW-STRENGTH MATERIAL	CU. YD.	17.0	17.0	
Z0048665	RAILROAD PROTECTIVE LIABILITY INSURANCE	L. SUM	1.0	1.0	



TYPICAL PROPOSED ROADWAY CROSS SECTION



TYPICAL EXISTING ROADWAY CROSS SECTION

EXTRA BARS FOR TEST SAMPLES
BILL OF MATERIALS

BAR	NO.	SIZE	LENGTH	SHAPE
h(E)	1	#4	28'-0"	—
p(E)	1	#6	28'-0"	—
p ₂ (E)	1	#7	28'-0"	—

* THESE BARS SHALL BE IDENTICAL TO AND DELIVERED WITH THE BARS OF THE SAME MARK LISTED IN THE BRIDGE SHEETS. ONE BAR OF EACH OF THESE MARKS WILL BE SELECTED BY THE ENGINEER TO BE USED AS A TEST SAMPLE.

GENERAL NOTES

- ALL ELEVATION REFER TO U.S.G.S. MEAN SEA LEVEL
- IF SECTION OR SUB-SECTION MONUMENTS ARE ENCOUNTERED, THE ENGINEER SHALL BE NOTIFIED BEFORE SUCH MONUMENTS ARE REMOVED. THE CONTRACTOR SHALL PROTECT AND CAREFULLY PRESERVE ALL PROPERTY MARKERS AND MONUMENTS UNTIL THE OWNER, AND AUTHORIZED SURVEYOR OF AGENT HAS WITNESSED OR OTHERWISE REFERENCED THEIR LOCATION.
- UTILITIES ARE SHOWN IN ACCORDANCE WITH THE BEST AVAILABLE INFORMATION AND THEIR TRUE LOCATION IS NOT GUARANTEED TO BE AS SHOWN ON THE PLANS. IT WILL BE THE CONTRACTORS RESPONSIBILITY TO DETERMINE THE EXACT LOCATION OF ALL UTILITIES AND CARRY ON HIS OPERATIONS ACCORDINGLY.
- THE STANDARD WITH THE REVISED NUMBER LISTED IN THE INDEX OF SHEETS, INCLUDED IN THE PLANS SHALL HOLD PRECEDENCE OVER THE STANDARD NUMBERS LISTED IN THE SPECIAL PROVISIONS OR PLANS OF THE CONTRACT.
- FINAL SEEDING OF DISTURBED AREAS WILL BE DONE BY OTHERS.
- ALL PAVEMENT MARKING SHALL BE DONE BY OTHERS.

MIXTURE REQUIREMENTS - SUPERPAVE PROJECT

ROUTE	C.H. 5 (F.A.S. 1784)
SECTION	02-00079-00-BR
COUNTY	CLINTON
CONTRACT	

MIXTURE USE	SURFACE
AC/PG	PG 64-22
RAP % (MAX)	0%
DESIGN AIR VOIDS	4.0% @ Ndes=50
MIX COMPOSITION (GRADATION MIXTURE)	
FRICITION AGG.	MIXTURE C

DESCRIPTION: C.H. 5 OVER LOST CREEK NEAR THE S.W. CORNER OF SHATTUC.

20 YR. ESAL'S: 0.7

**SUMMARY OF QUANTITIES
TYPICAL ROADWAY CROSS SECTIONS**

**C.H. 5 (SHATTUC ROAD)
OVER LOST CREEK
SECTION 02-00079-00-BR
CLINTON COUNTY**