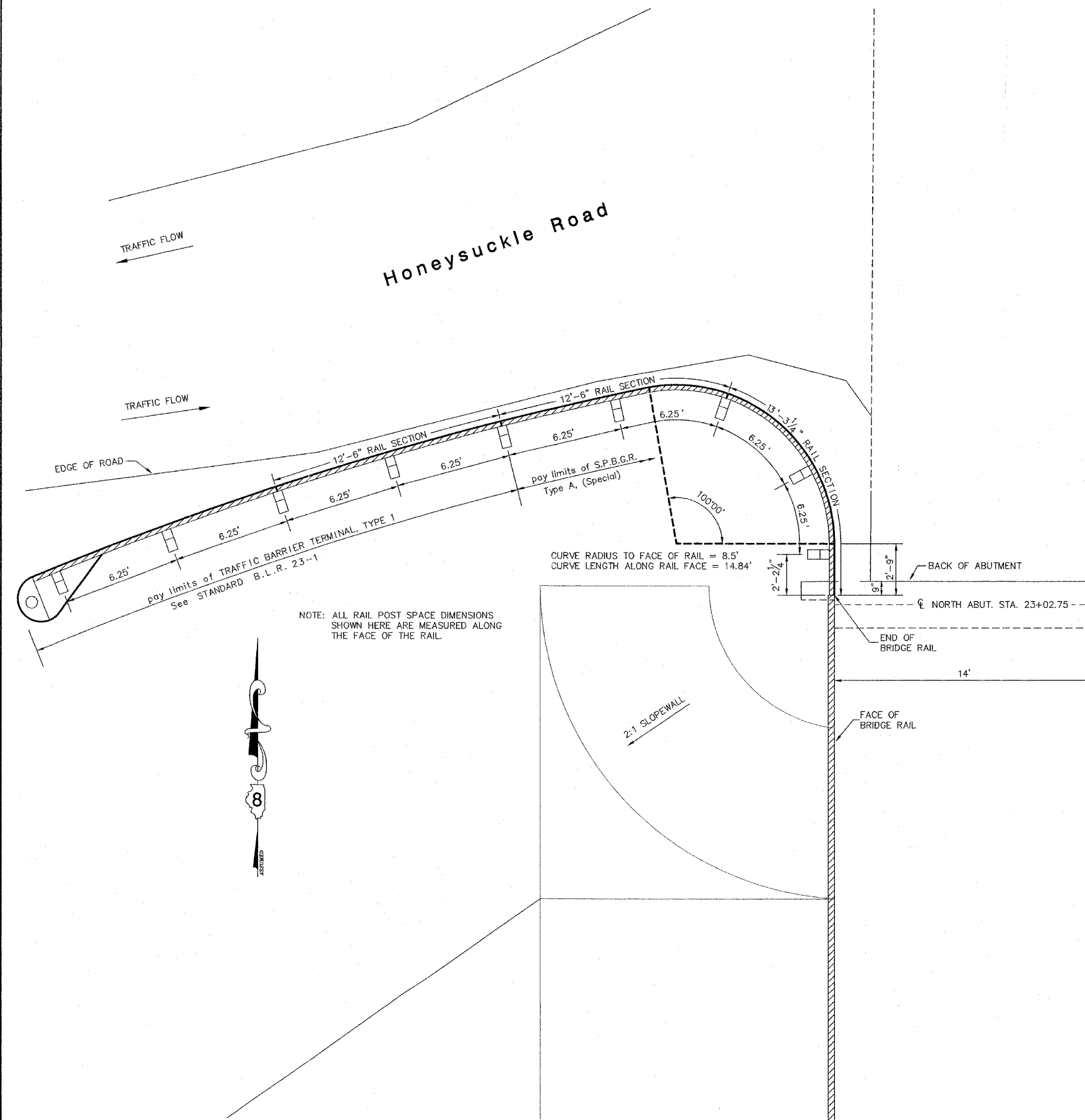
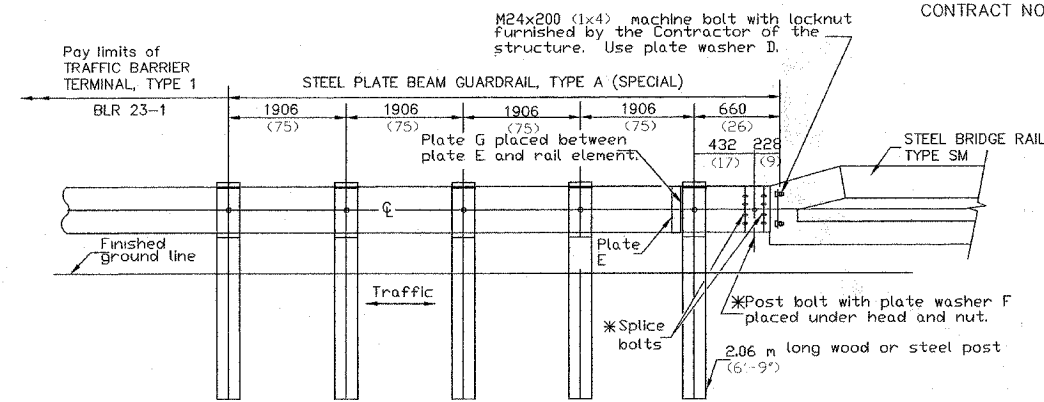


ROUTE NO.	SECTION	COUNTY	TOTAL SHEETS	SHEET NO.
C.H. 5 (SHATTUC RD)	02-00079-00-BR	CLINTON	15	5

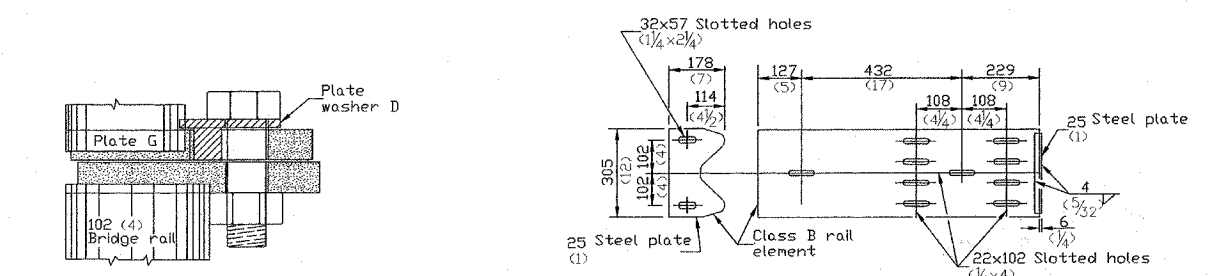
CONTRACT NO. 97267



NOTE: ALL RAIL POST SPACE DIMENSIONS SHOWN HERE ARE MEASURED ALONG THE FACE OF THE RAIL.



STEEL PLATE BEAM GUARDRAIL, TYPE A (SPECIAL)



PLACEMENT OF PL E WASHER D (PLAN)

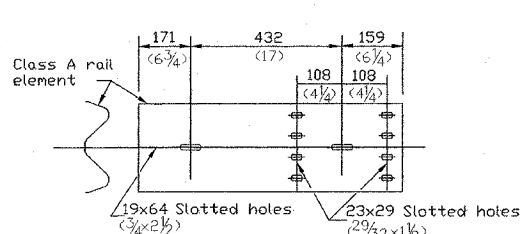


PLATE E

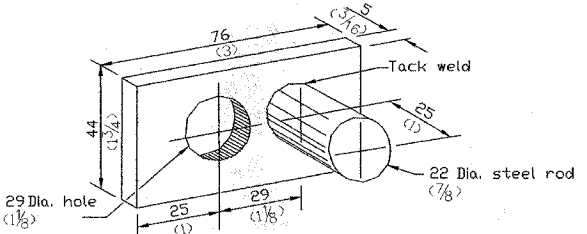


PLATE WASHER D

GENERAL NOTES

Install plate washer D so that the 25mm (1") projection fills the remainder of the slotted holes in the 25mm (1") end plate on plate G after the M24 (1") dia. bolts are in place.

* Bolts shall be provided with locknut or double nut and shall be tightened only to a point that will allow plate G to be free to move when an expansion joint exists below the connector.

See Standard 630001 for details of guardrail not shown.

All dimensions are in millimeters (inches) unless otherwise shown.

RAILING DETAILS
C.H. 5 (SHATTUC ROAD)
OVER LOST CREEK
SECTION 02-00079-00-BR
CLINTON COUNTY