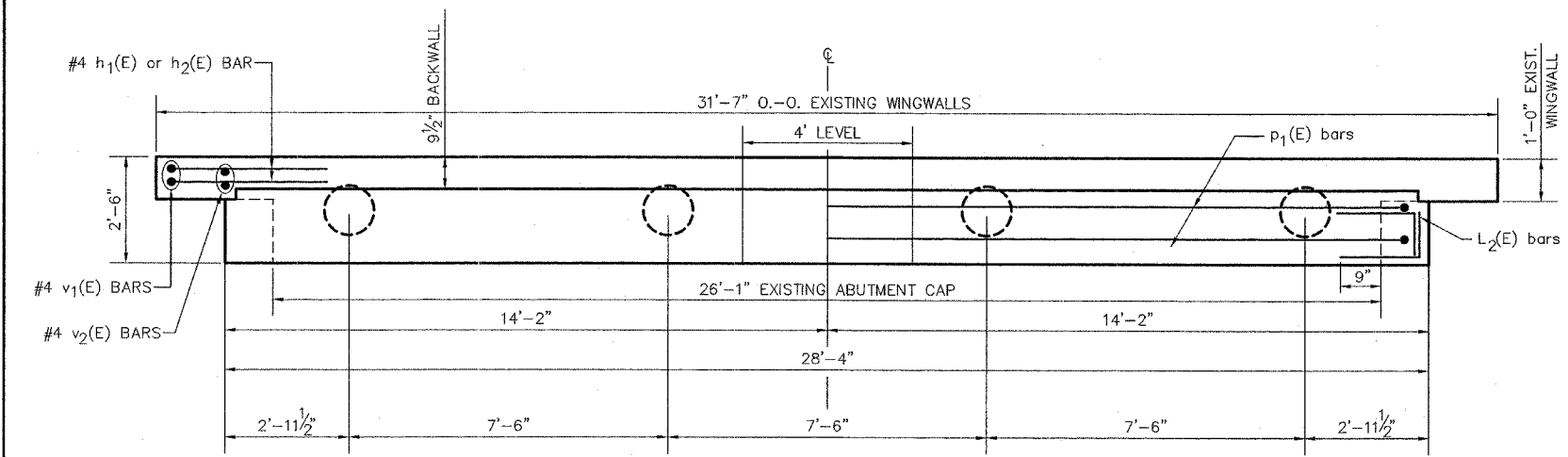
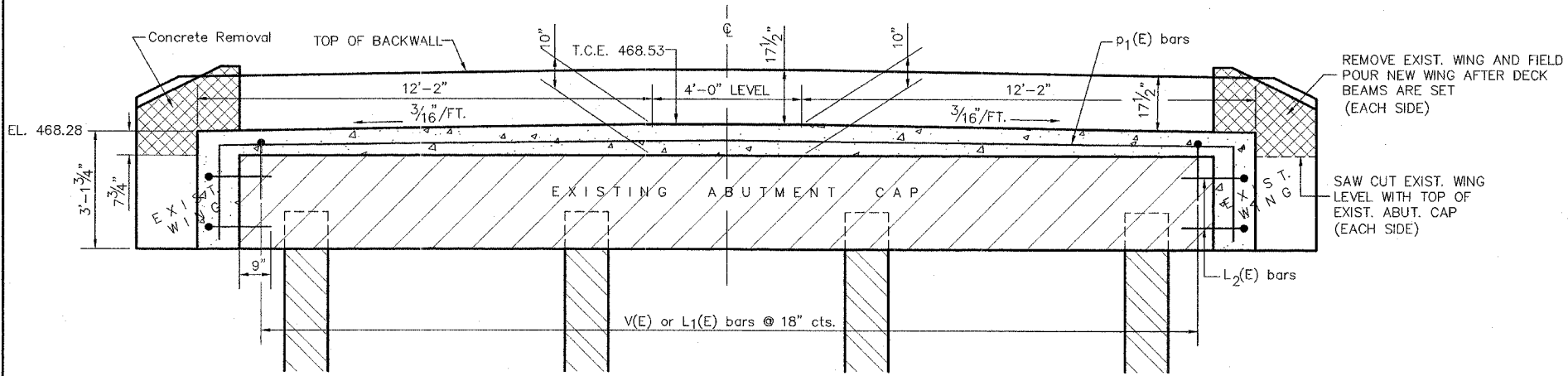


ROUTE NO.	SECTION	COUNTY	TOTAL SHEETS	SHEET NO.
C.H. 5 (SHATTUC ROAD)	02-00079-00-BR	CLINTON	15	7

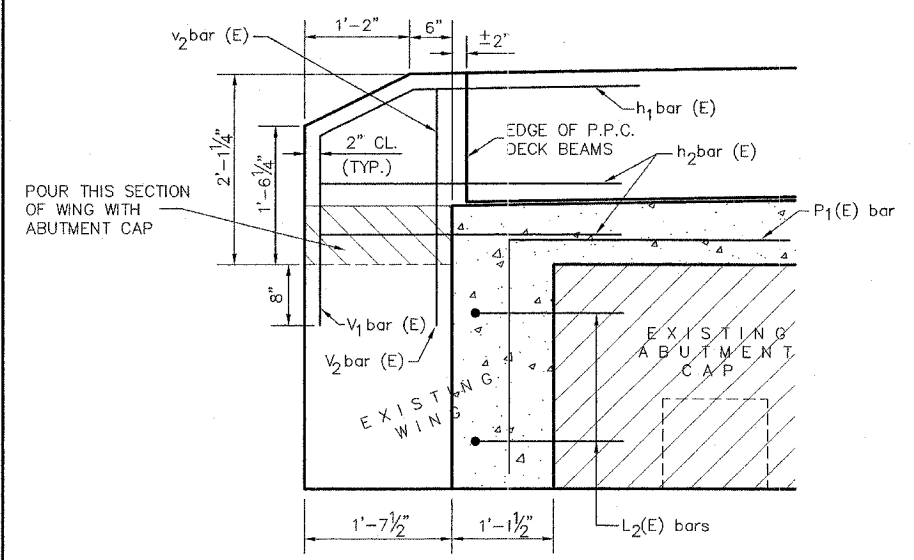
CONTRACT NO. 97267



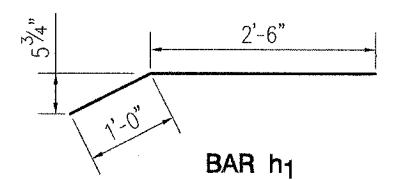
PLAN



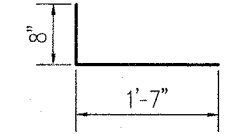
ELEVATION



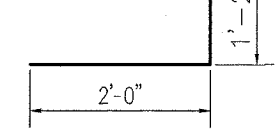
WING DETAIL



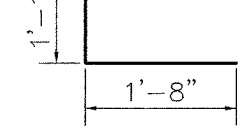
BAR h1



BAR L



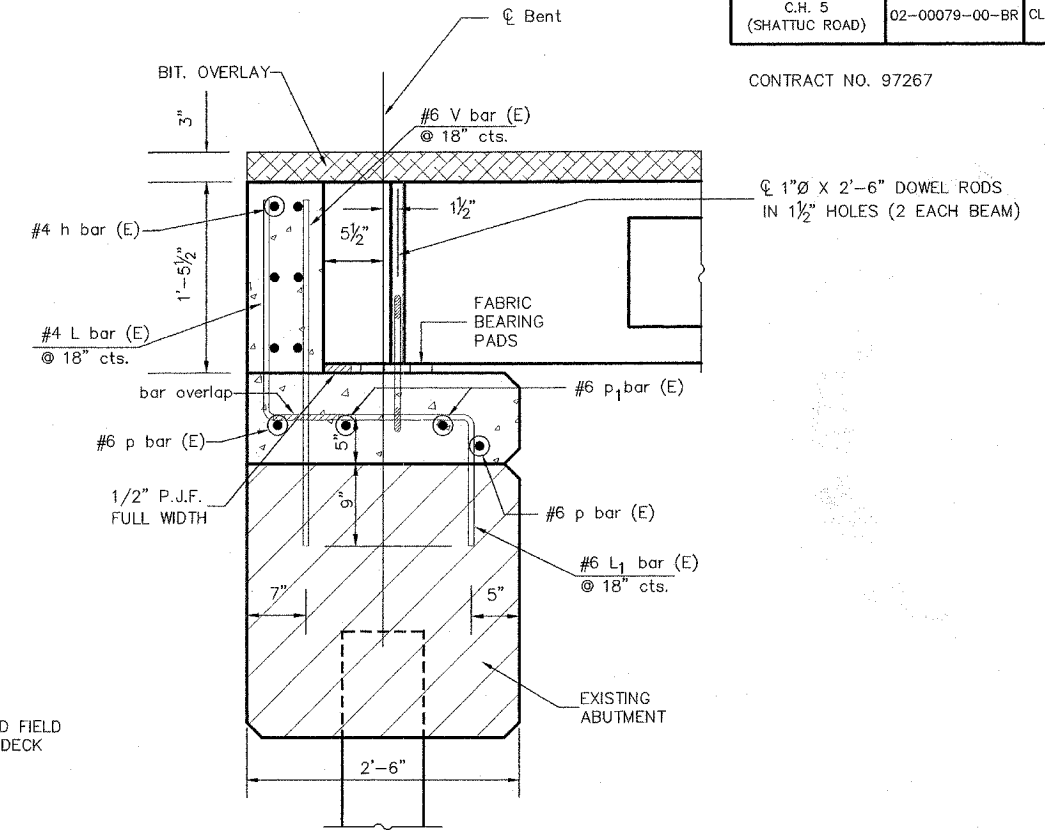
BAR L1



BAR L2

NOTE:

Reinforcement bars shall conform to A.A.S.H.T.O. M-31 or M-322, Grade 60. All reinforcement bars shall be epoxy coated.
L1(E), L2(E), V(E), V1(E), & V2(E) bars shall be drilled and epoxy grouted in accordance with section 584 of the standard specifications.



SECTION THRU ABUTMENT (AT RIGHT ANGLES)

BILL OF MATERIAL FOR ONE ABUTMENT

Bar	No.	Size	Length	Shape
h(E)	6	#4	28'-0"	—
h1(E)	4	#4	3'-6"	—
h2(E)	8	#4	3'-4"	—
L(E)	19	#4	2'-3"	┌
L1(E)	19	#6	3'-2"	┌
L2(E)	8	#6	2'-9"	┌
p(E)	2	#6	28'-0"	—
p1(E)	2	#6	33'-3"	┌
v(E)	19	#6	2'-9"	—
v1(E)	4	#4	2'-0"	—
v2(E)	4	#4	2'-5"	—
Concrete Structures			3.8 Cu. Yds.	
Reinforcement Bars			570 Lbs.	
Concrete Removal			2.0 Cu. Yds.	

ABUTMENT DETAILS
C.H. 5 (SHATTUC ROAD)
OVER LOST CREEK
02-00079-00-BR
CLINTON COUNTY
STATION 23+55
S.N. 014-3014