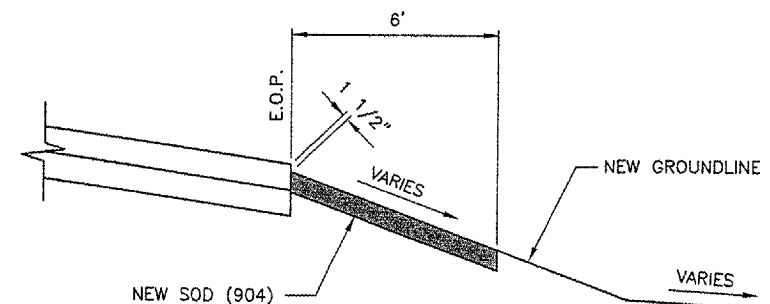
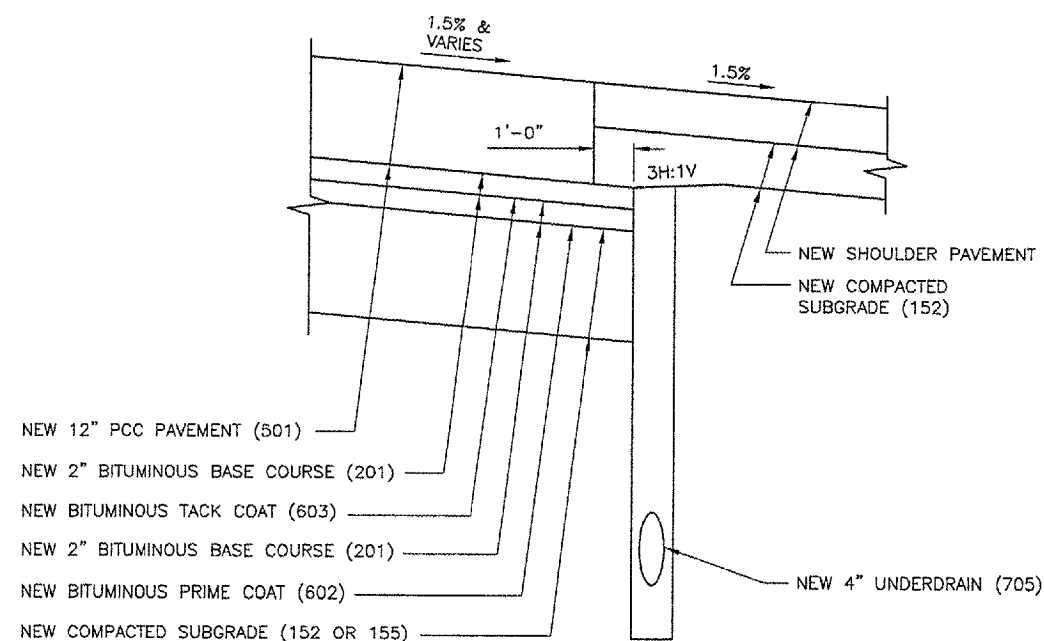


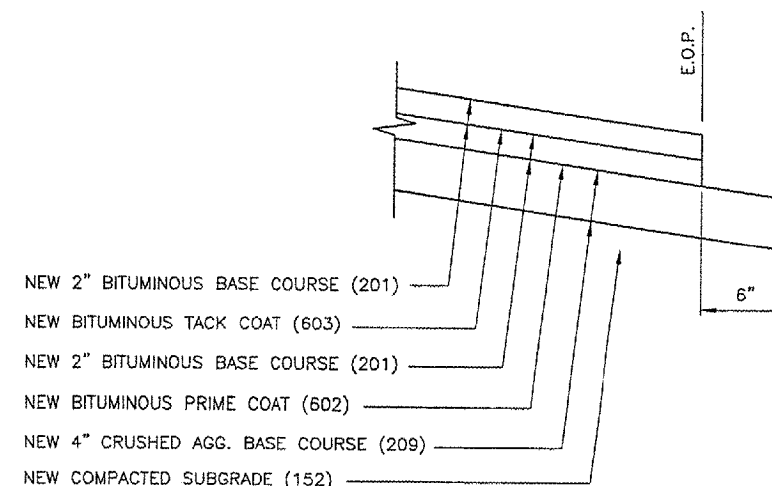
NEW CONNECTING TAXIWAY G-1 TYPICAL SECTION
 N.T.S.



NEW SHOULDER TURF DETAIL
 N.T.S.

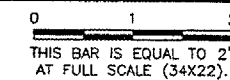


NEW PAVEMENT SHOULDER DETAIL
 N.T.S.



NEW SHOULDER PAVEMENT
 N.T.S.

REVISIONS		
NUMBER	BY	DATE



BLOOMINGTON-NORMAL AIRPORT AUTHORITY
CENTRAL ILLINOIS REGIONAL AIRPORT
BLOOMINGTON, ILLINOIS
CONSTRUCT TAXIWAY G-1
TYPICAL SECTIONS

© Copyright CMT, Inc.
CMT
 CRAWFORD, MURPHY & TILLY, INC.
 CONSULTING ENGINEERS
 License No. 184-000613

DESIGN BY:	JEF
DRAWN BY:	DPA
CHECKED BY:	RLV
APPROVED BY:	JEF
DATE:	1/13/2006
JOB No:	05085-0300
ILLINOIS PROJECT	BMI-3452
A.I.P. PROJECT	3-17-0006-XX
SHEET	08 OF 33 SHEETS