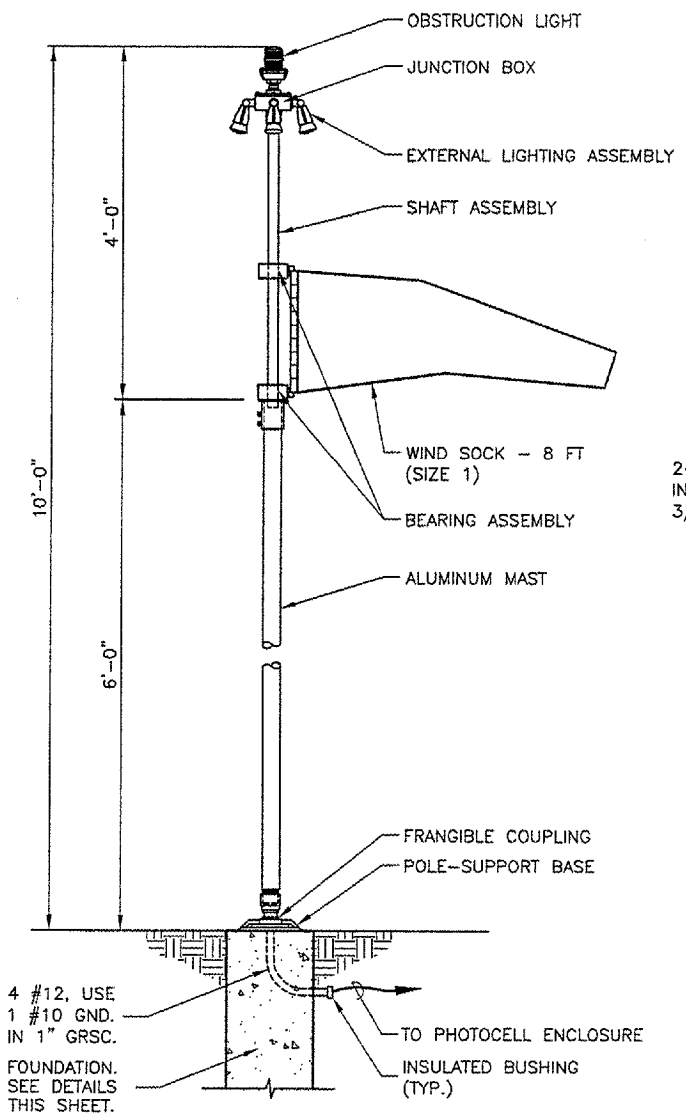
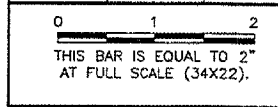
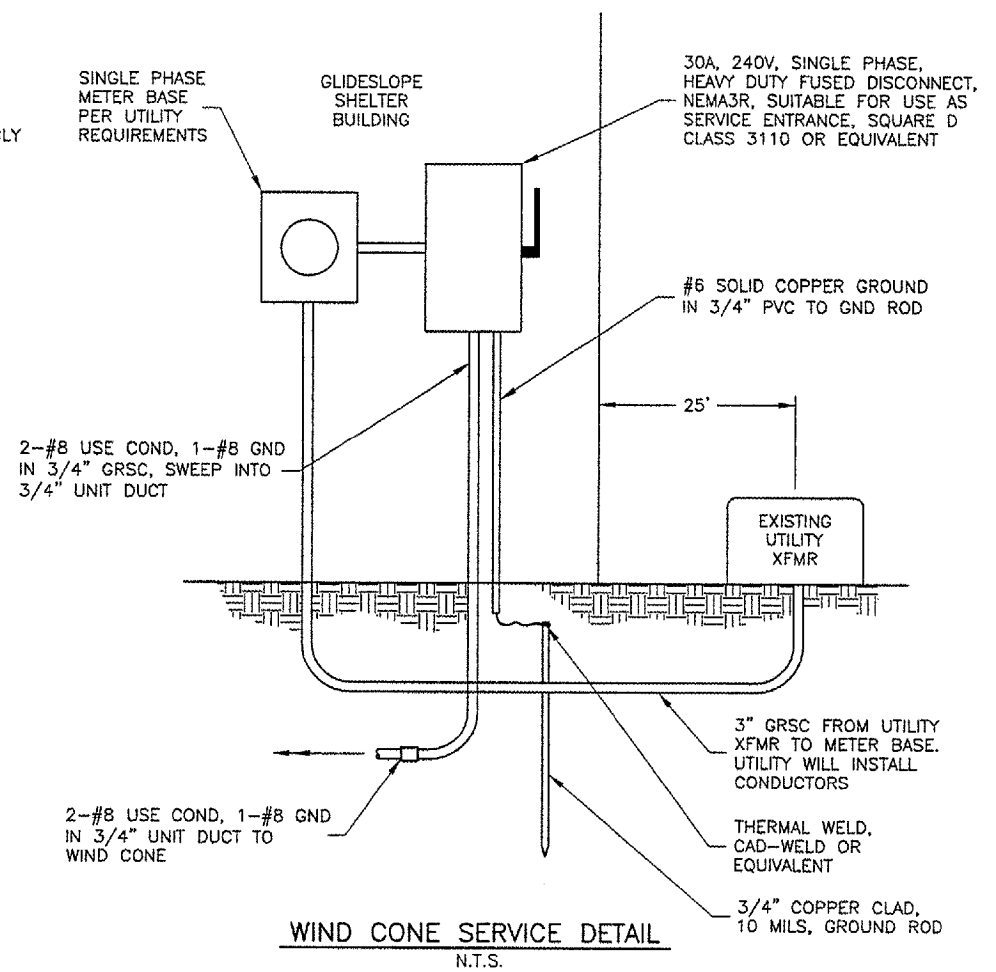


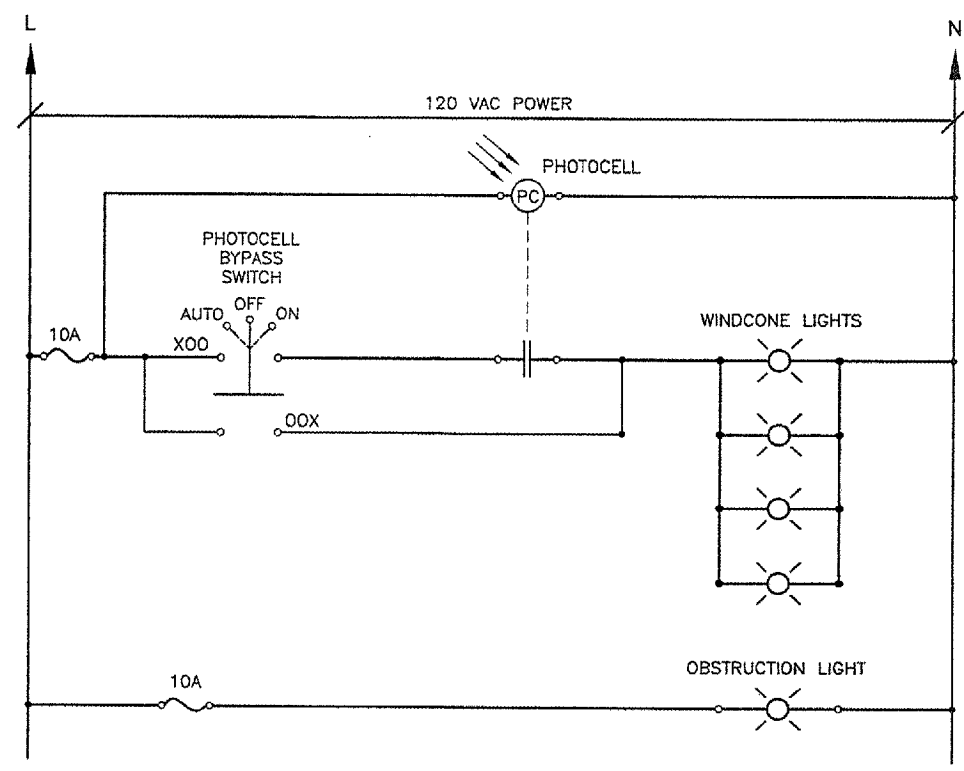
REVISIONS		
NUMBER	BY	DATE



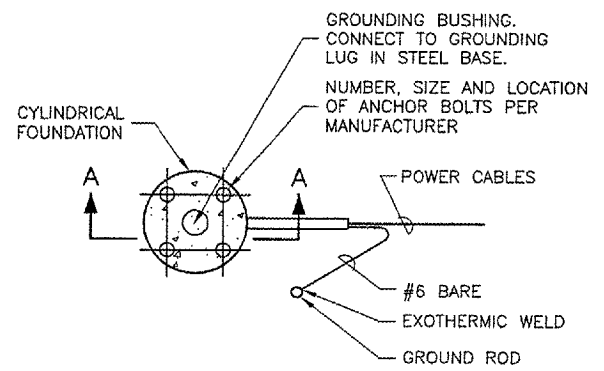
WIND CONE DETAIL
N.T.S.



WIND CONE SERVICE DETAIL
N.T.S.

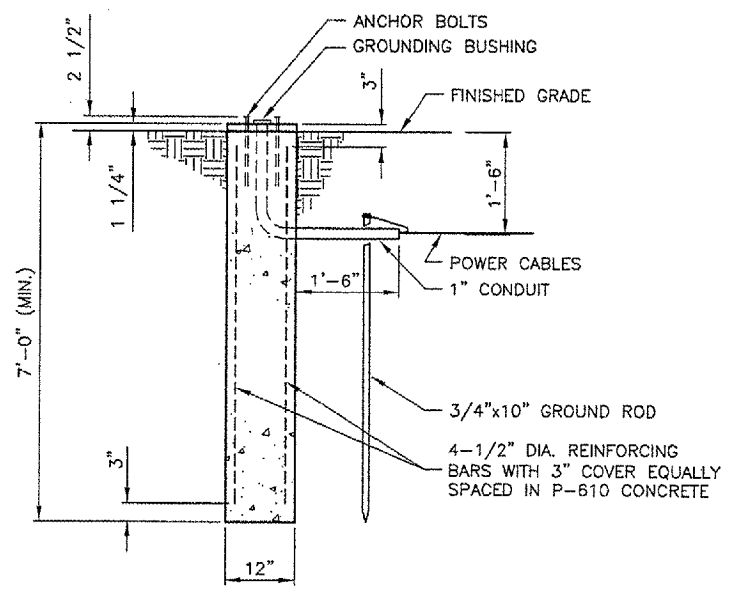


WIND CONE SCHEMATIC
N.T.S.

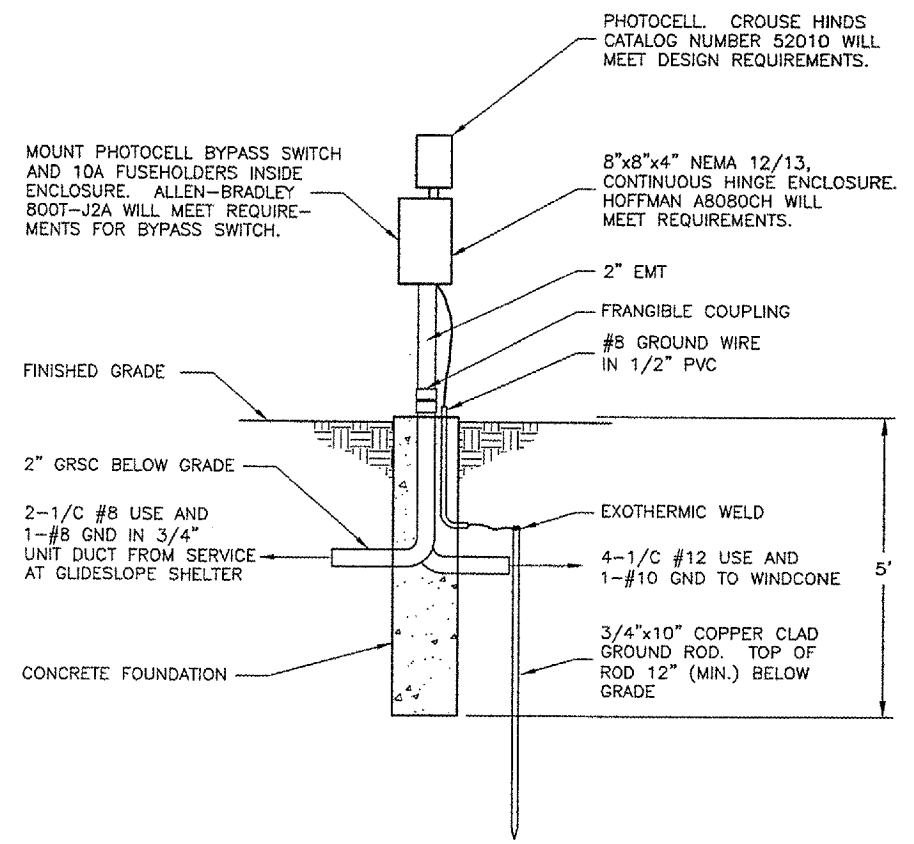


PLAN

WIND CONE FOUNDATION
N.T.S.



SECTION A-A



WIND CONE PHOTOCELL DETAIL
N.T.S.

**BLOOMINGTON-NORMAL AIRPORT AUTHORITY
 CENTRAL ILLINOIS REGIONAL AIRPORT
 BLOOMINGTON, ILLINOIS**

**CONSTRUCT TAXIWAY G-1
 WIND CONE DETAILS**

© Copyright CMT, Inc.
CMT
 CRAWFORD, MURPHY & TILLY, INC.
 CONSULTING ENGINEERS
 License No. 984-000613

DESIGN BY:	JEF/TM
DRAWN BY:	DPA
CHECKED BY:	RLV
APPROVED BY:	JEF
DATE:	1/13/2006
JOB No:	05085-0300
ILLINOIS PROJECT	BMI-3452
A.I.P. PROJECT	3-17-0006-XX
SHEET	18 OF 33 SHEETS