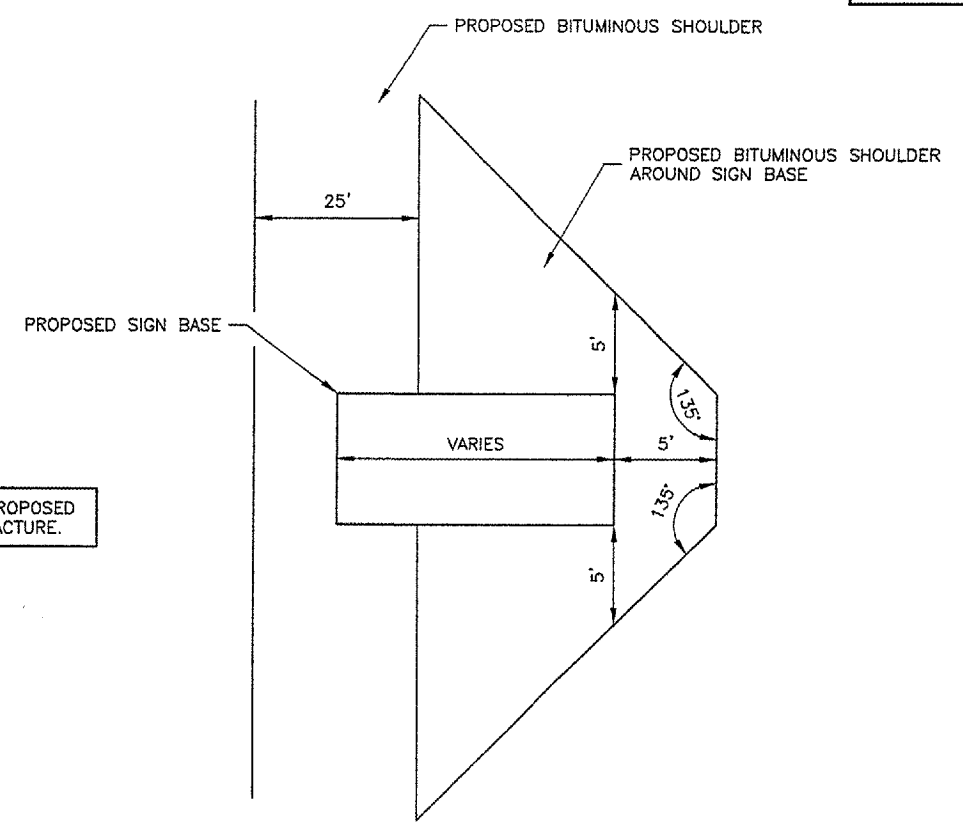


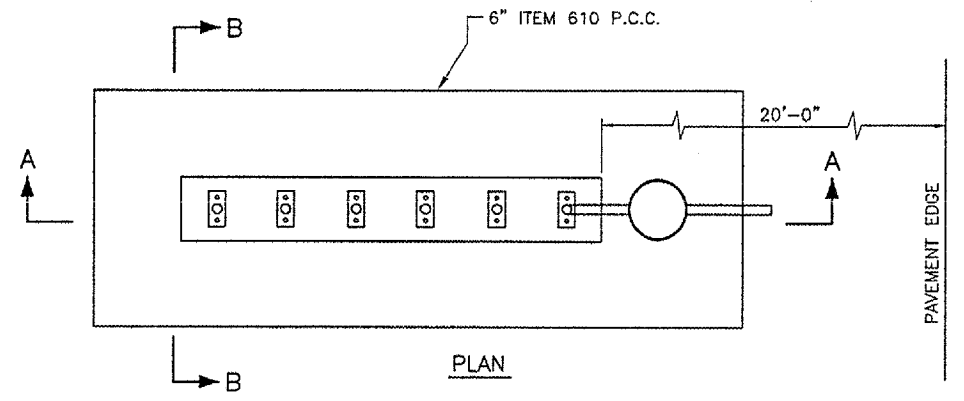
SIGN SCHEDULE						
SIGN NO.	SIDE	PROPOSED SIGN LEGEND	WHITE LEGEND WITH BLACK OUTLINE ON RED BACKGROUND	BLACK LEGEND ON YELLOW BACKGROUND	YELLOW LEGEND ON BLACK BACKGROUND	PROPOSED NUMBER OF CHARACTERS
1	N S	G1 →		G1 →		3
2	W E	G1 20-2 G1	20-2		G1	6
3	N S	← G1 TERM ↑		← G1 TERM ↑	G	5
4	W E	G1 ← G →		← G →	G1	3
5	N S	2 ↑ G		2 ↑	G	2
6	N S	G2 → (M)		G2 → (M)		3
7	W E	G2 (M) 20-2 (E) G2 (M)	20-2 (E)		G2 (M)	6
8	N S	← G2 (E) TERM ↑ (E)		← G2 (M) TERM ↑ (E)	G (E)	5
9	W E	G2 (M) ← G → (E)		← G → (E)	G2 (M)	3
10	W E	⊕	⊕			1
11	N S	ILS	ILS	ILS		3

CONTRACTOR SHALL SUBMIT SHOP DRAWINGS WITH PROPOSED LEGENDS FOR APPROVAL PRIOR TO STARTING MANUFACTURE.

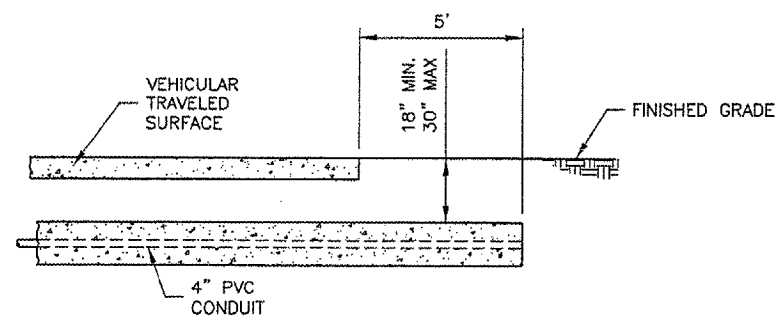
(E) - EXISTING SIGN PANEL TO REMAIN
 (M) - MODIFIED SIGN PANEL ON EXISTING SIGN



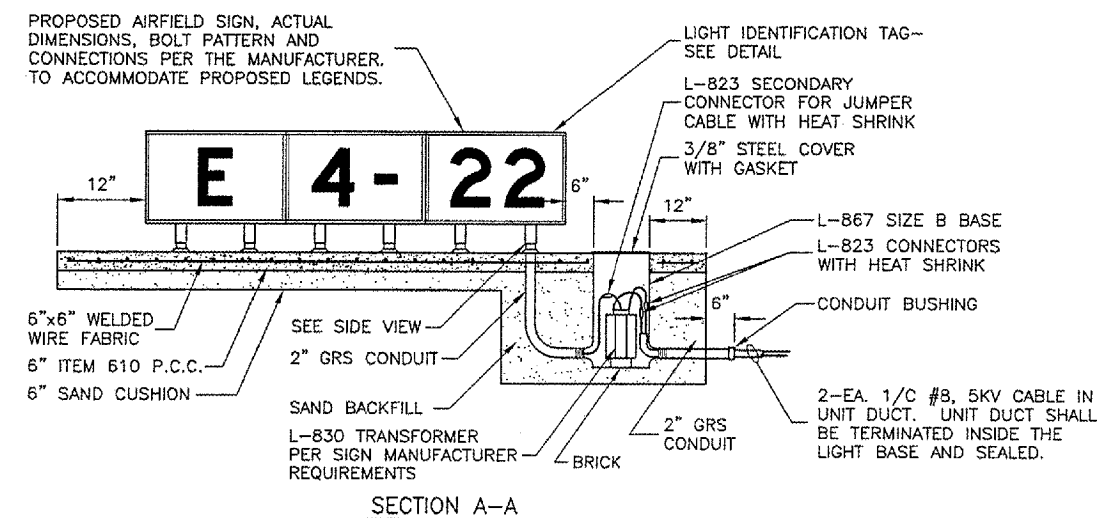
BITUMINOUS SHOULDER AROUND SIGN BASE - DETAIL
 N.T.S.



PLAN

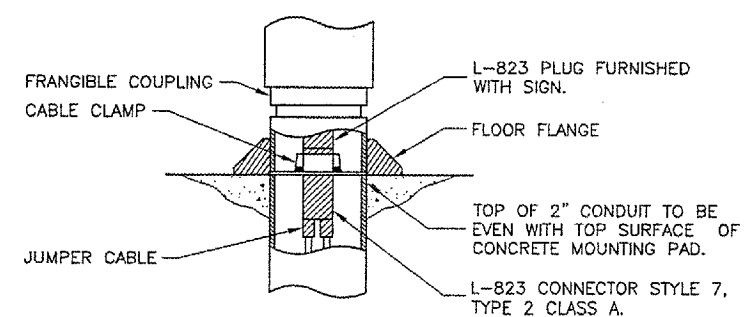
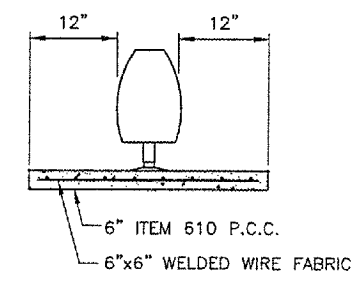


SECTION B-B



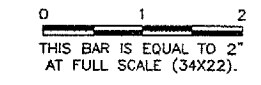
L-858 AIRFIELD SIGN DETAILS
 N.T.S.

- NOTES**
1. TRANSFORMER WATTAGE SHALL BE AS REQUIRED BY SIGN MANUFACTURER.
 2. SIGN LEGEND SHALL BE AS SHOWN IN THE PLANS.
 3. SIGNS SHALL BE SIZE 1 STYLE 2, CLASS 2.



ELECTRICAL CONNECTION DETAIL
 N.T.S.

REVISIONS		
NUMBER	BY	DATE



BLOOMINGTON-NORMAL AIRPORT AUTHORITY
CENTRAL ILLINOIS REGIONAL AIRPORT
BLOOMINGTON, ILLINOIS
CONSTRUCT TAXIWAY G-1
ELECTRICAL DETAILS SHEET 3

© Copyright CMT, Inc.
CMT
 CRAWFORD, MURPHY & TILLY, INC.
 CONSULTING ENGINEERS
 License No. 184-00018

DESIGN BY:	JEF
DRAWN BY:	DPA
CHECKED BY:	RLV
APPROVED BY:	JEF
DATE:	1/13/2006
JOB No:	05085-0300
ILLINOIS PROJECT	BMI-3452
A.I.P. PROJECT	3-17-0006-XX
SHEET	22 OF 33 SHEETS