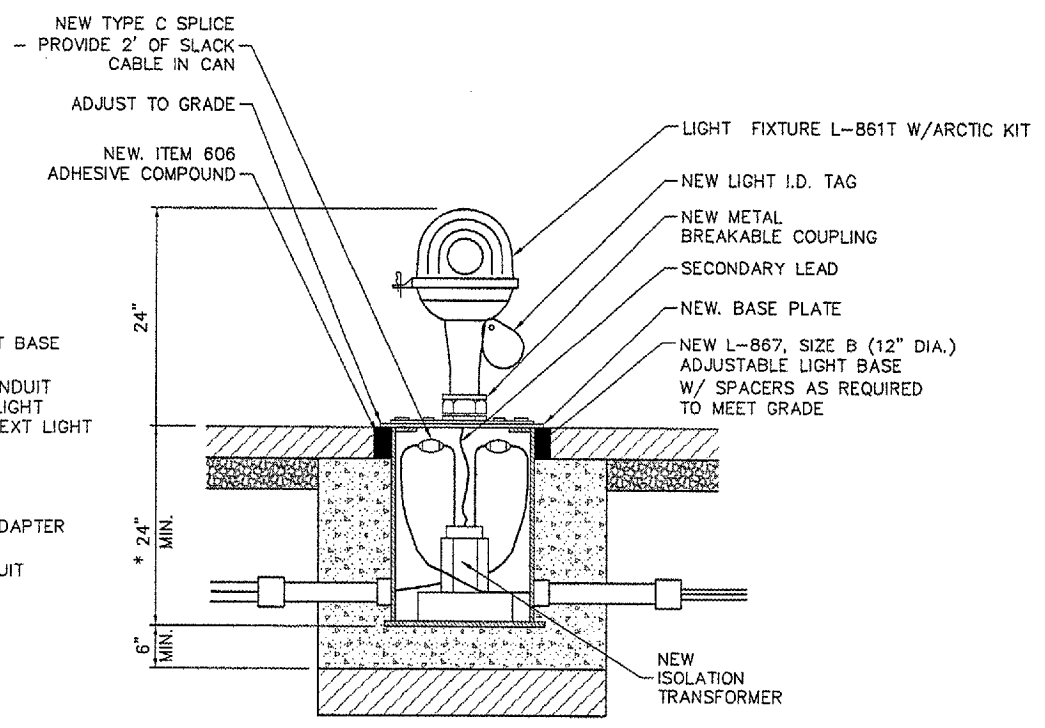
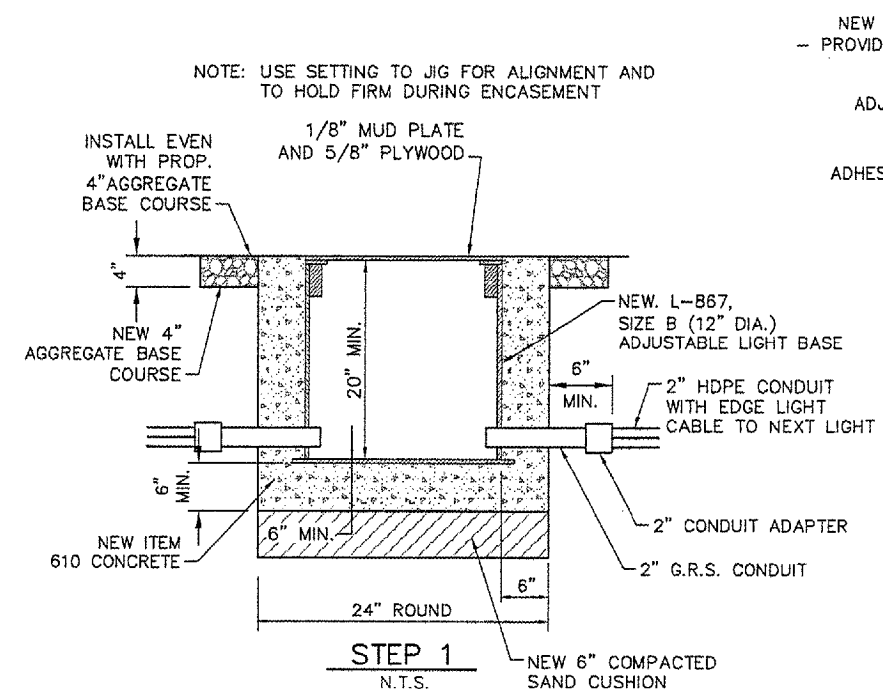
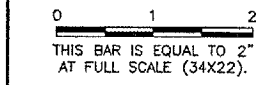
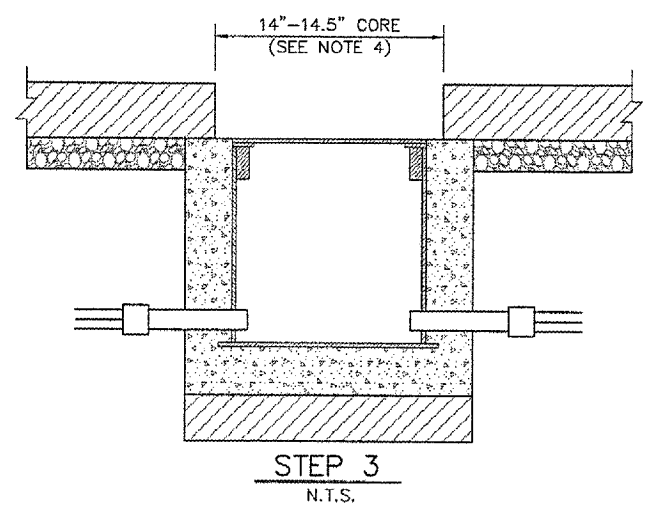
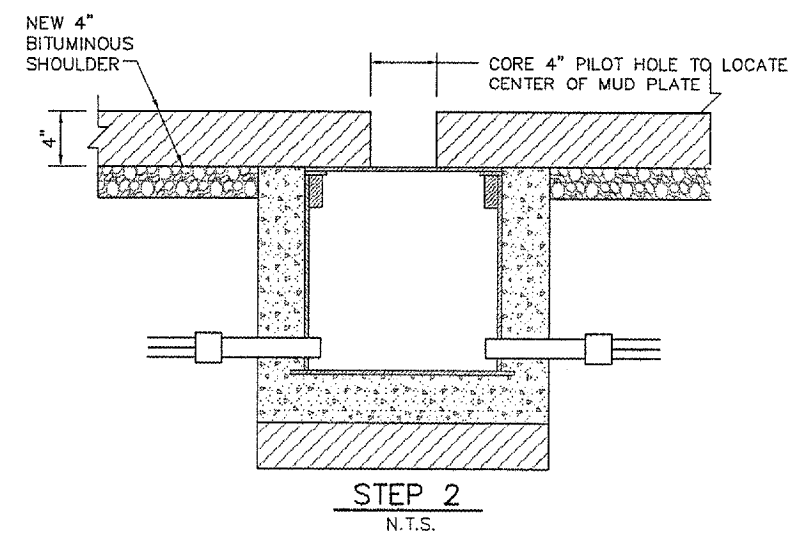


REVISIONS		
NUMBER	BY	DATE



**ELEVATED IN PAVED SHOULDER**  
**STEP 4**  
 N.T.S.

- NOTES:**
1. INSTALLATION SEQUENCE SHALL BE AS DETAILED IN STEP 1 THROUGH 4, AND AS DESCRIBED AS BELOW.
  2. USE MANUFACTURER'S SETTING JIG (OR OTHER DEVICE APPROVED BY THE ENGINEER) FOR PROPERLY ALIGNING THE BASE AND FOR PREVENTING MOVEMENT DURING CONCRETE ENCASEMENT.
  3. SURVEY LOCATION OF COVER PLATE BULLSEYE.
  4. AFTER FINAL PAVING AT THE FIXTURE LOCATION, CORE A 4" DIAMETER PILOT HOLE TO LOCATE THE CENTER OF THE BULLSEYE PLATE. CORE 14" TO 14.5" DIAMETER HOLE (LEAVING 1/8" + ANNULAR SPACE BETWEEN BASE CAN AND SURROUNDING PAVEMENT), CENTERED ON THE LIGHT BASE. REMOVE THE COVER PLATE, ADJUST PLATE TO REQUIRED ELEVATION, AND INSTALL LIGHT ASSEMBLY. SHIMS MAY BE REQUIRED.
  5. AFTER FIXTURE INSTALLATION, FILL THE ANNULAR SPACE BETWEEN THE FIXTURE BASE AND SURROUNDING PAVEMENT WITH P-606 ADHESIVE COMPOUND. ENSURE P-606 IS INSTALLED CLEANLY AND DOES NOT BOND TO LIGHT FIXTURE SO AS TO PREVENT FIXTURE REMOVAL.
  6. THE L-867, SIZE B TYPE 1 BASES SHALL BE ADJUSTED SO THAT THE TOP FLANGE EDGE OF THE BASE EXTENSION IS AT THE SAME ELEVATION AS THE FINISHED PAVEMENT SURFACE TO (+) 0" (-) 1/16" TOLERANCE.
  7. REUSE SHIPPING BOLTS INCLUDED WITH THE BASE ONLY IF BOLTS ARE STAINLESS STEEL AND IF INTENDED TO BE REUSED FOR LIGHT FIXTURE INSTALLATION. USE INDUSTRY STANDARD ANTI-SEIZE COMPOUND (GREASE) AND TORQUE PER MANUFACTURER'S INSTRUCTIONS.
  8. PROVIDE (3) THREE COPIES OF AN INSTRUCTION AND MAINTENANCE MANUAL TO THE ENGINEER 14 DAYS PRIOR TO START OF INSTALLATION.



**BLOOMINGTON-NORMAL AIRPORT AUTHORITY**  
**CENTRAL ILLINOIS REGIONAL AIRPORT**  
**BLOOMINGTON, ILLINOIS**  
**CONSTRUCT TAXIWAY G-1**  
**ELECTRICAL DETAIL SHEET 6**

© Copyright CMT, Inc.  
**CMT**  
 CRAWFORD, MURPHY & TILLY, INC.  
 CONSULTING ENGINEERS  
 License No. 184-000613

DESIGN BY:	JEF
DRAWN BY:	DPA
CHECKED BY:	RLV
APPROVED BY:	JEF
DATE:	1/13/2006
JOB No:	05085-0300
ILLINOIS PROJECT	BMI-3452
A.I.P. PROJECT	3-17-0006-XX
SHEET	25 OF 33 SHEETS