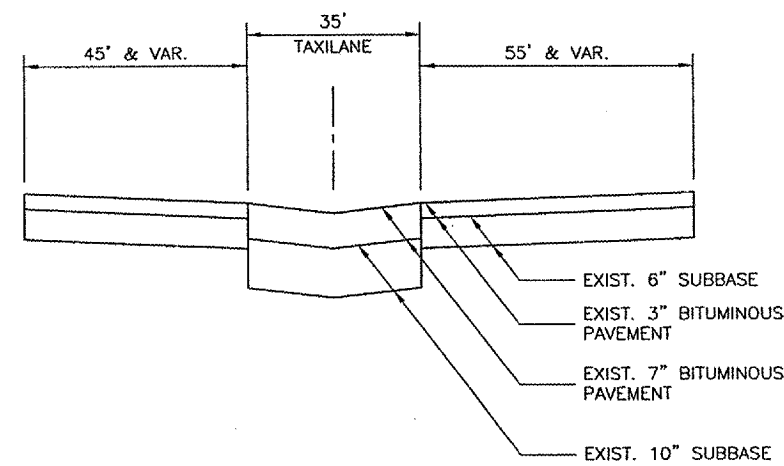
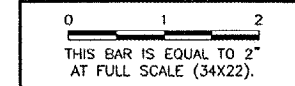


CA001

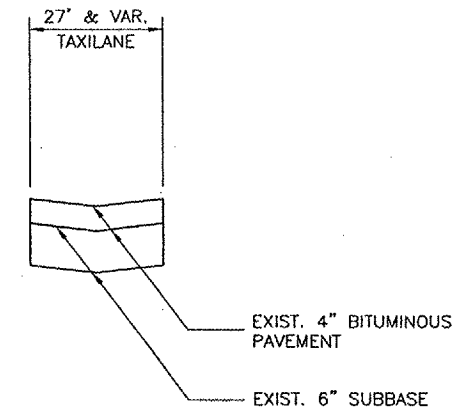
K:\Springfield\0403510\Draw\Sheets\1105\FILE: 09_TypicalSecExist.dwg
 UPDATE BY: cgroth
 SURVEY BOOK #
 DATE: Sat 1/28/06 12:26pm
 XREF DWG: Cntinfo.dwg

IMAGE FILES: Sootogo.tif

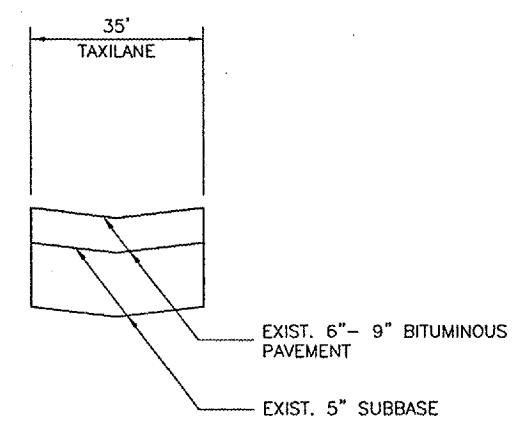
REVISIONS		
NUMBER	BY	DATE



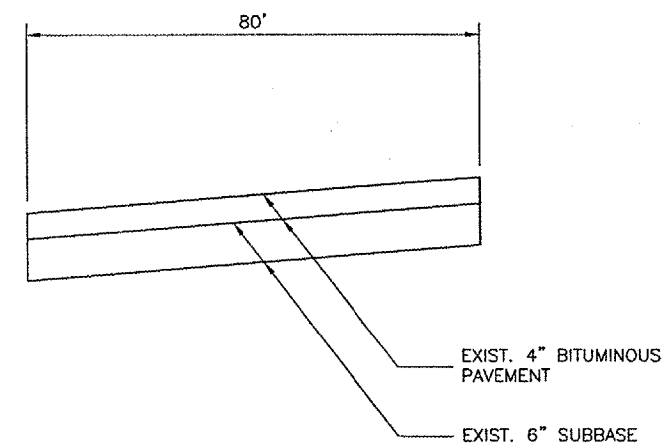
(A) EXISTING HANGAR 2 & 3 PAVEMENT (A)
 N.T.S.



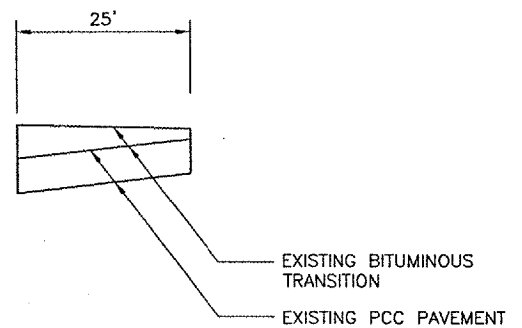
(B) EXISTING TAXILANE PAVEMENT (B)
 N.T.S.



(C) EXISTING TAXILANE PAVEMENT (C)
 N.T.S.



(D) EXISTING HANGAR 6 TAXILANE PAVEMENT (D)
 N.T.S.



(E) EXISTING MUSEUM HANGAR RAMP (E)
 N.T.S.

BORING RESULTS

BORING NO.	PAVEMENT STRUCTURE	TYPICAL SECTION
1	2.5" BITUMINOUS PAVEMENT 7" AGGREGATE BASE COURSE	D-D
2	7.0" BITUMINOUS PAVEMENT 6.75" GRANULAR SUBBASE	D-D
3	7.5" BITUMINOUS PAVEMENT 13.75" GRANULAR SUBBASE	C-C
4	8.5" BITUMINOUS PAVEMENT 5.0" GRANULAR SUBBASE	B-B
5	7.0" BITUMINOUS PAVEMENT 10.5" GRANULAR SUBBASE	A-A

SPRINGFIELD AIRPORT AUTHORITY
ABRAHAM LINCOLN CAPITAL AIRPORT
SPRINGFIELD, ILLINOIS

CMT
 CRAWFORD, MURPHY & TILLY, INC.
 CONSULTING ENGINEERS
 License No. 94-000619



REHABILITATE SOUTHEAST QUADRANT HANGAR PAVEMENTS
EXISTING TYPICAL SECTIONS

DESIGN BY: CBG
 DRAWN BY: CBG
 CHECKED BY: *CBG*
 APPROVED BY: *RW*
 DATE: 01/27/2006
 JOB No: 04035-10-00

ILLINOIS PROJECT SPI-3346