

IMAGE FILES: S:\a\p\11

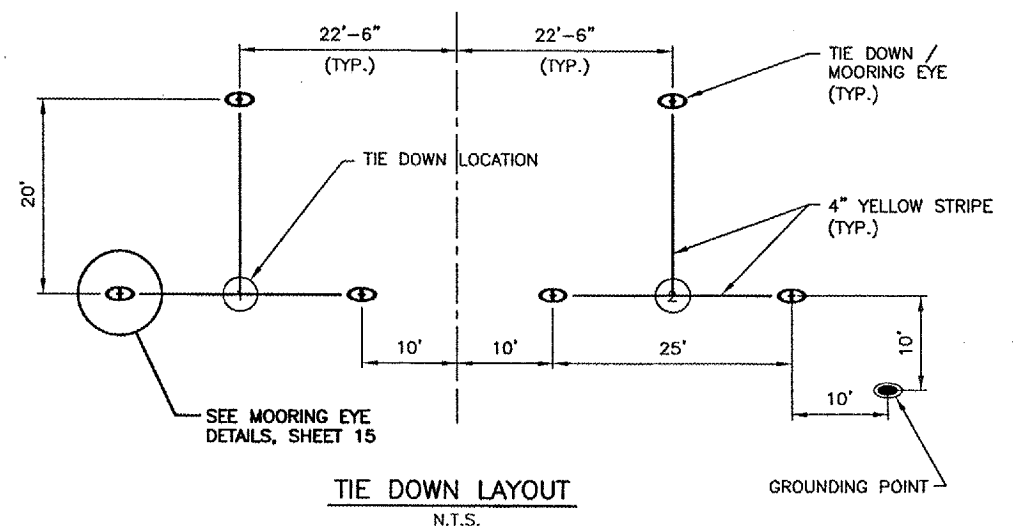
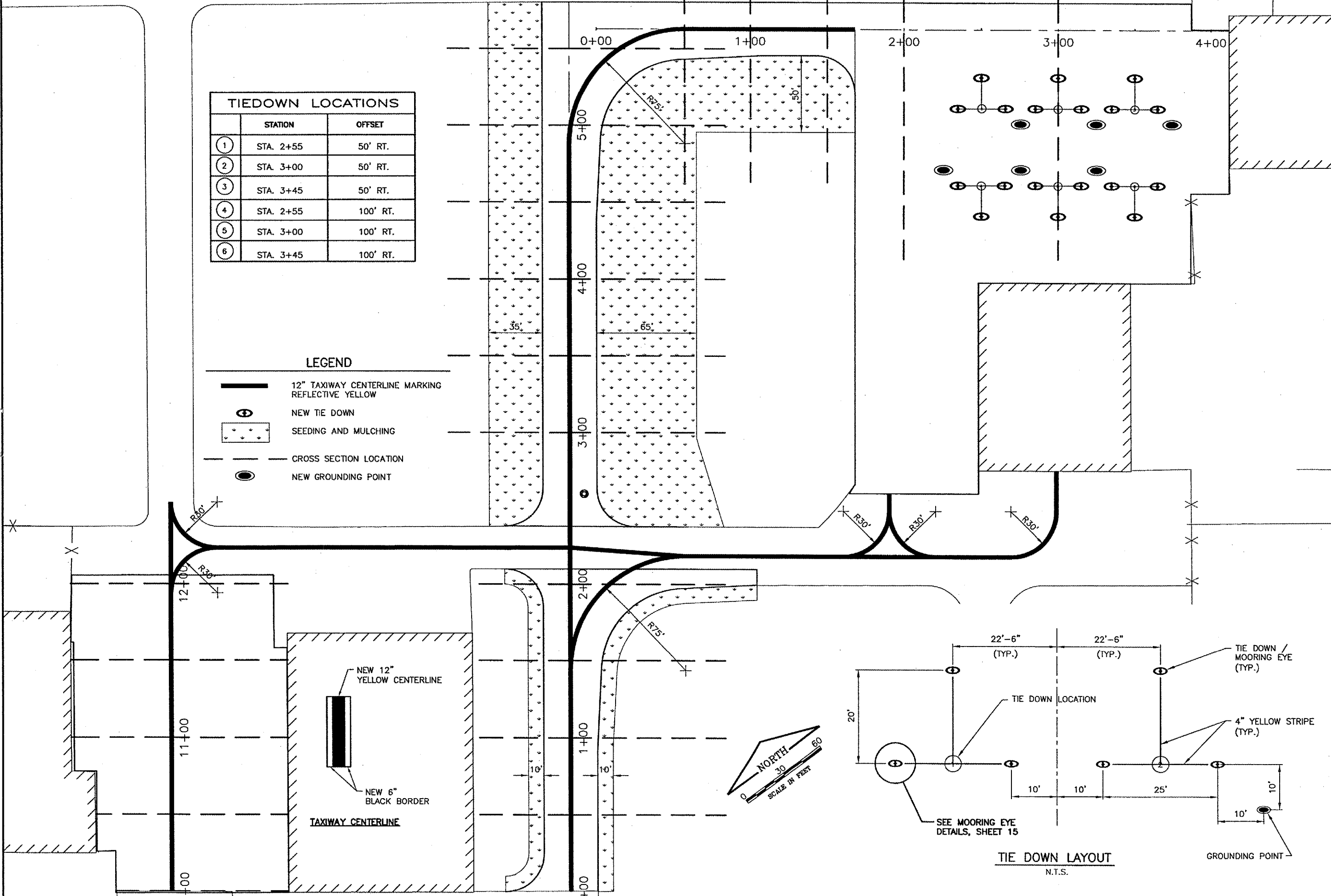
CA001

K:\Springfield\0403510\Draw\Sheets\1105\FILE: 16_MarkPlan.dwg
 LAYOUT: Layout1
 UPDATE BY: cgroth
 SURVEY BOOK #
 DATE: Sat 1/28/06 12:25pm
 XREF DWG: Cinfo.dwg
 Utts98.dwg
 SEQuadBase.DWG
 CapitalBase.dwg

NOTES
 1. ADDITIVE ALTERNATE 1, 2 & 3 SEEDING AND MULCHING LIMITS WILL BE THE SAME AS THE REMOVAL LIMITS SHOWN ON SHEET 8.

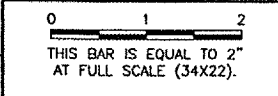
TIEDOWN LOCATIONS		
	STATION	OFFSET
①	STA. 2+55	50' RT.
②	STA. 3+00	50' RT.
③	STA. 3+45	50' RT.
④	STA. 2+55	100' RT.
⑤	STA. 3+00	100' RT.
⑥	STA. 3+45	100' RT.

- LEGEND**
- 12" TAXIWAY CENTERLINE MARKING REFLECTIVE YELLOW
 - NEW TIE DOWN
 - SEEDING AND MULCHING
 - CROSS SECTION LOCATION
 - NEW GROUNDING POINT



REVISIONS

NUMBER	BY	DATE



SPRINGFIELD AIRPORT AUTHORITY
ABRAHAM LINCOLN CAPITAL AIRPORT
 SPRINGFIELD, ILLINOIS

REHABILITATE SOUTHEAST QUADRANT HANGAR PAVEMENTS
PAVEMENT MARKING PLAN, TURFING LIMITS, AND INDEX TO CROSS SECTIONS

© Copyright CMT, Inc.
CMT
 CRAWFORD, MURPHY & TILLY, INC.
 CONSULTING ENGINEERS
 License No. 94-000613

DESIGN BY: *CBL*
 DRAWN BY: CMT
 CHECKED BY: *CBL*
 APPROVED BY: *PCW*
 DATE: 01/27/2006
 JOB No: 04035-10-00
 ILLINOIS PROJECT SPI-3346
 SHEET 16 OF 20 SHEETS