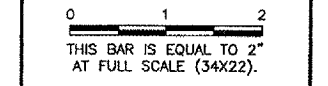


DU071

PATH: K:\DUPAGEAP\0425704-APRON
 FILE: APRON-VAULT-DTL2.DWG
 UPDATE BY: .
 SURVEY BOOK #
 XREF DWG:
 XREF DWG:
 DATE: .

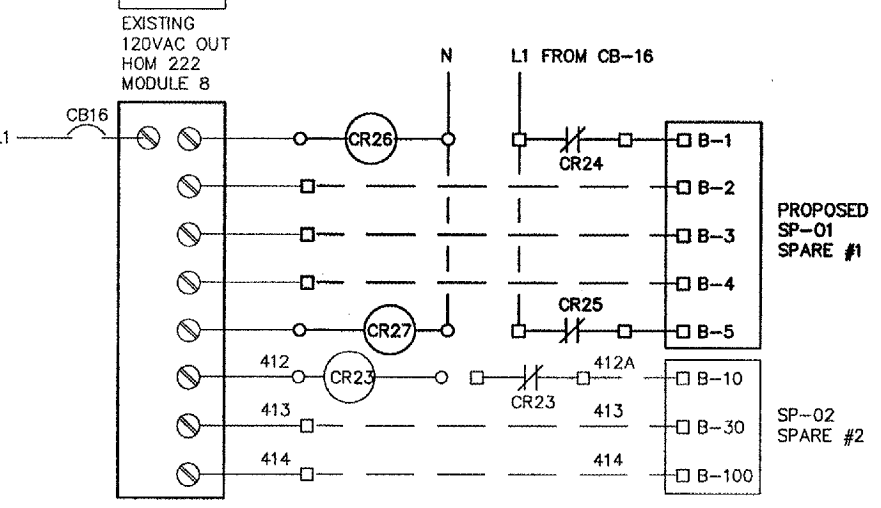
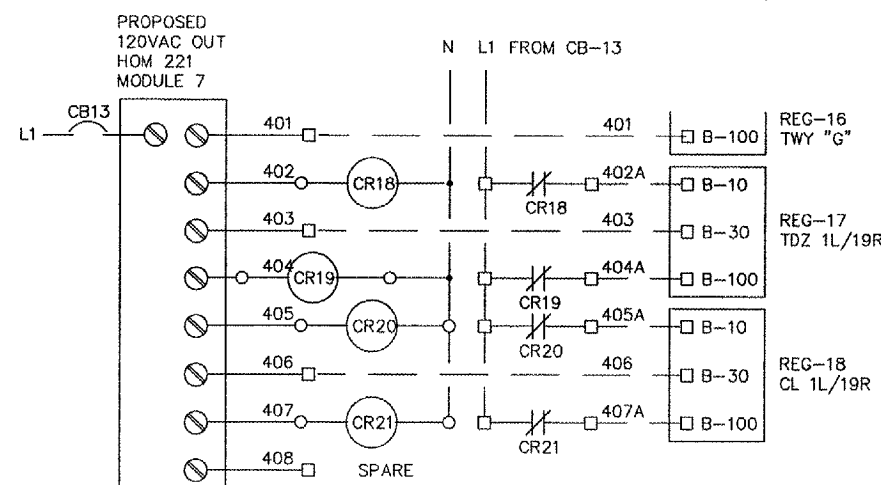
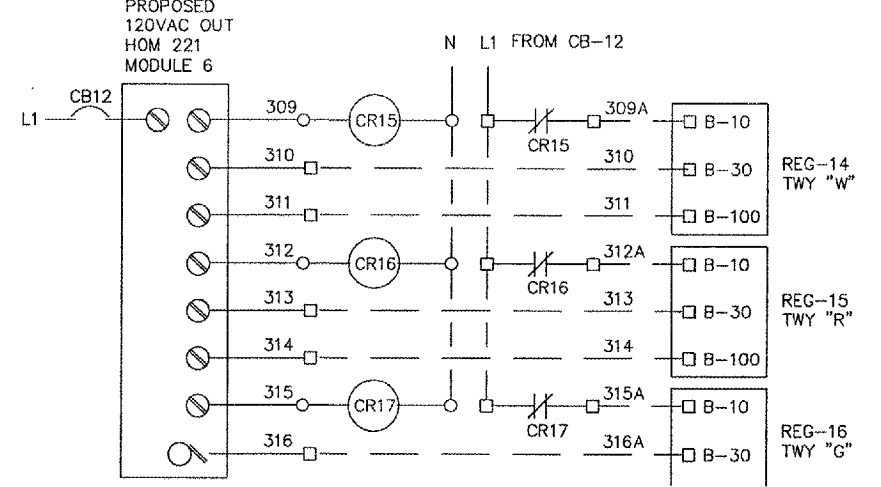
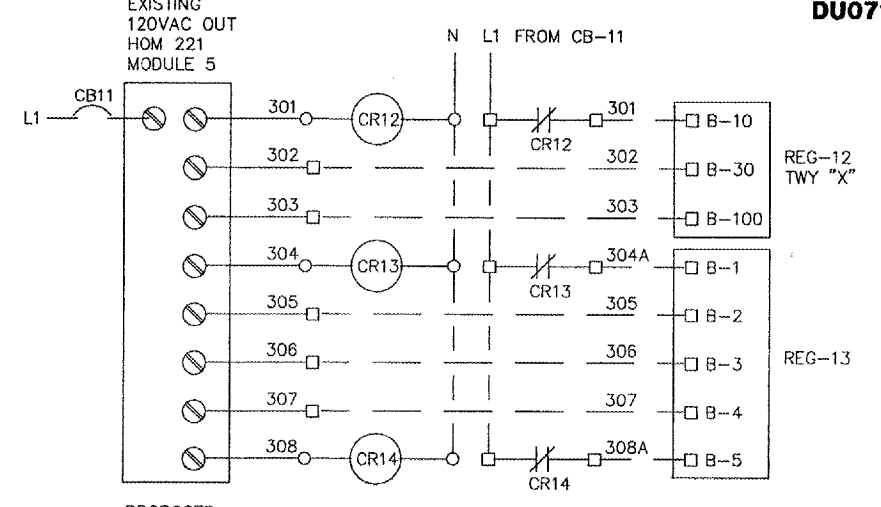
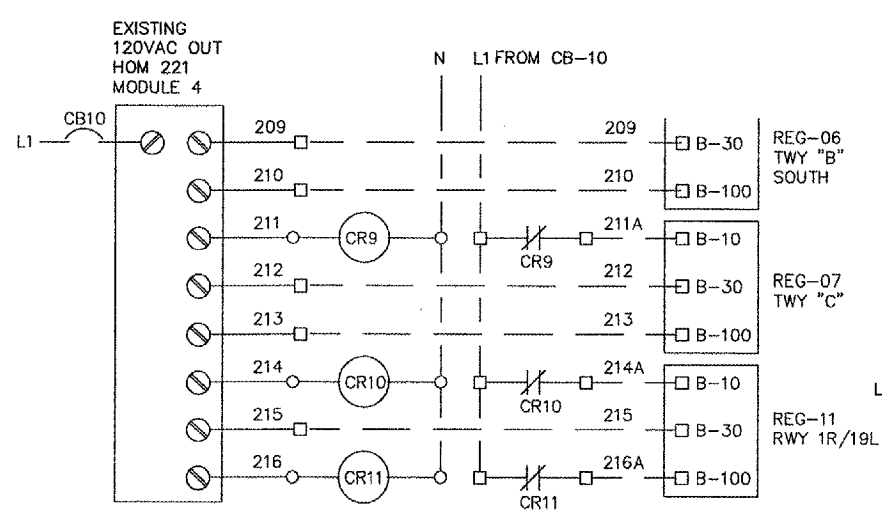
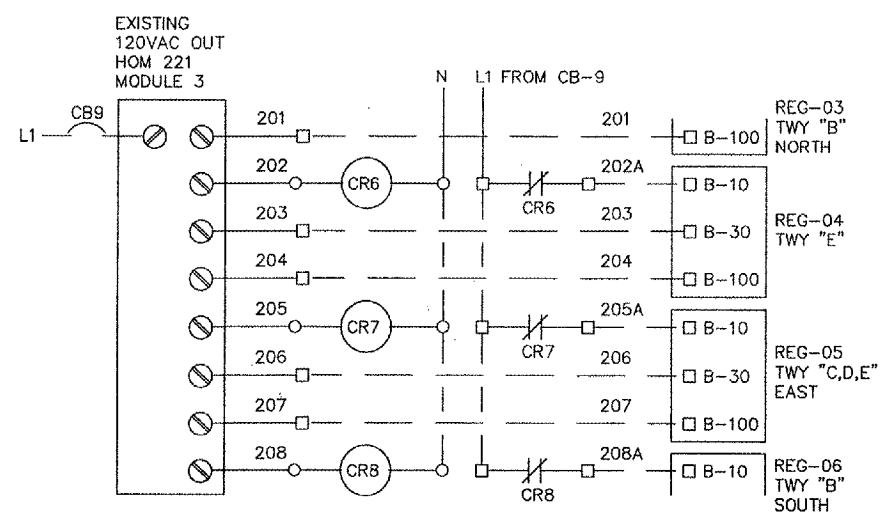
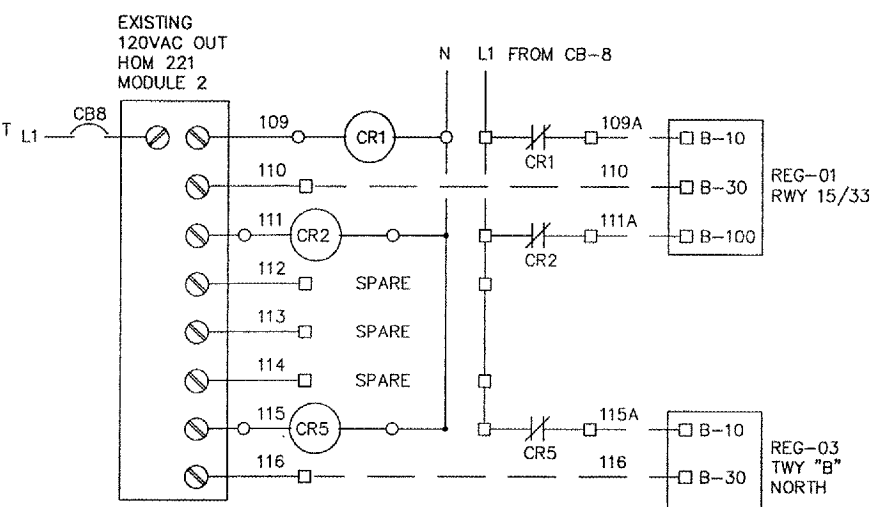
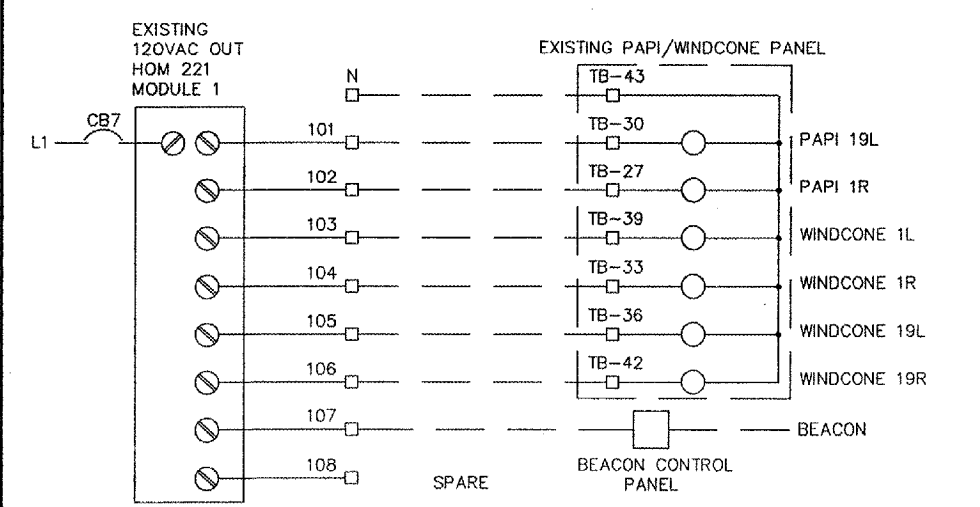
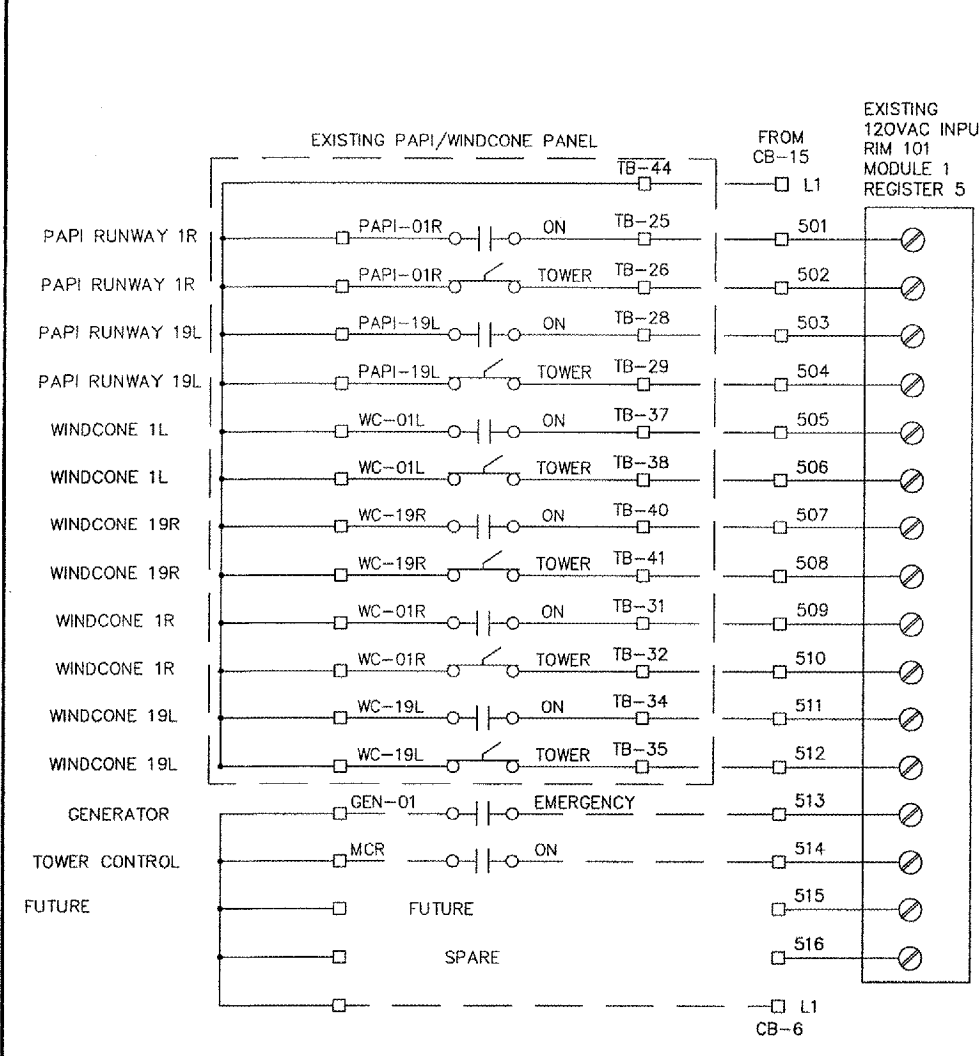
REVISIONS		
NUMBER	BY	DATE



**DUPAGE AIRPORT
 WEST CHICAGO, ILLINOIS
 SOUTH FLIGHT CENTER APRON - PHASE 4
 VAULT CONTROL DETAILS SHEET 2**

© Copyright CMT, Inc.
CMT
 CRAWFORD, MURPHY & TILLY, INC.
 CONSULTING ENGINEERS
 License No. 184-000613

DESIGN BY:	AB
DRAWN BY:	JRO
CHECKED BY:	AB
APPROVED BY:	AB
DATE:	01/13/06
JOB No:	04257-04-00-00
A.I.P. PROJECT:	3-17-0017-818
ILLINOIS PROJECT:	DPA-3391



NOTE: NEUTRAL FROM PLC PANEL TO ALL REGULATOR NEUTRAL TERMINALS NOT SHOWN FOR CLARITY.

TYPICAL FIELD WIRING COLORS
 RED = B10
 BLACK = B30
 BLUE = B100

- NOTES:**
- ALL PROPOSED WORK OR ITEMS BEING MODIFIED ARE SHOWN IN BOLD. ALL OTHER ITEMS SHOWN ARE FOR INFORMATIONAL PURPOSES ONLY.
 - CONFIGURE EXISTING MODULE OUTPUT 8 TO CONNECT NEW 5-STEP SPARE REGULATOR. MODIFY EXISTING PLC LOGIC FOR NEW CONFIGURATION.