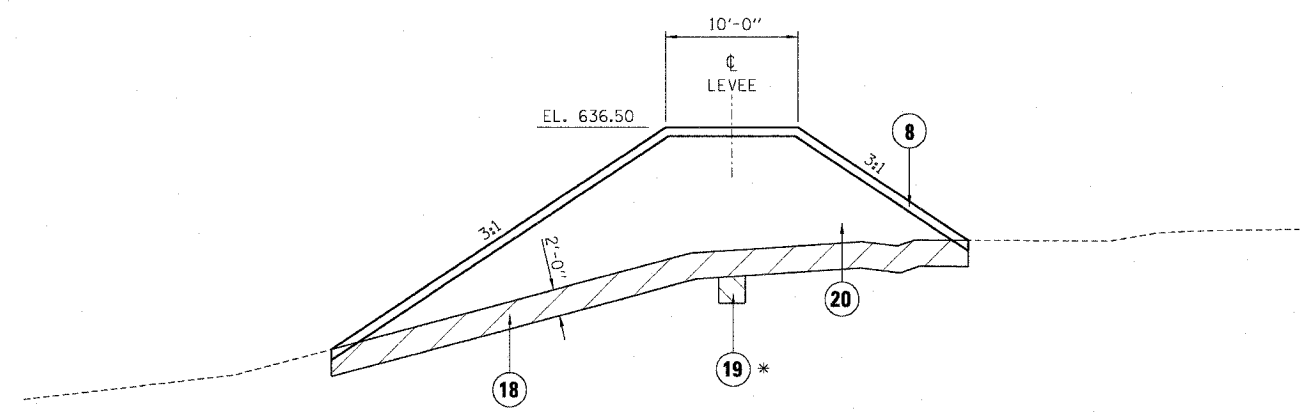
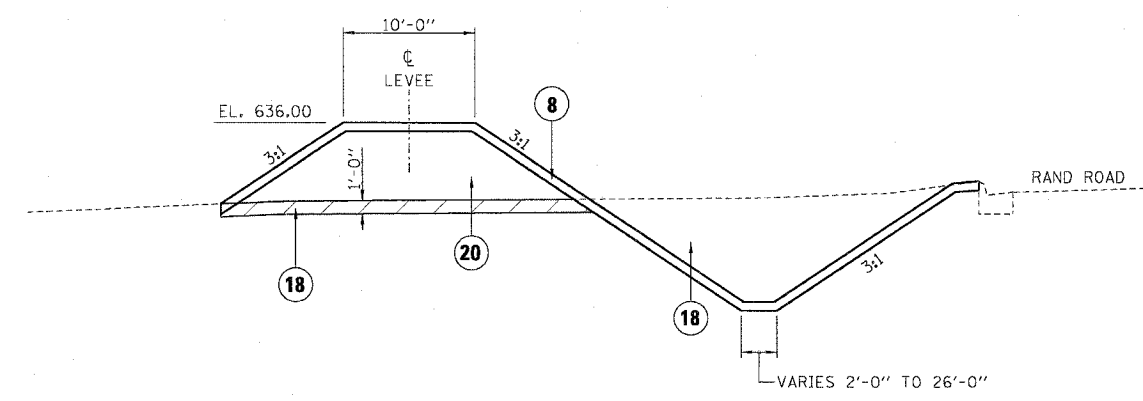


**TYPICAL SECTION**  
**STA. 10+00 TO STA. 10+50**  
**STA. 13+50 TO STA. 14+50**  
**STA. 29+50 TO STA. 33+60**



**TYPICAL SECTION**  
**STA. 10+50 TO STA. 13+50**



**TYPICAL SECTION**  
**STA. 15+25 TO STA. 29+50**

\* THE EXPLORATION TRENCH SHALL BE FROM STA. 10+00 TO STA. 14+50

**LEGEND**

- ① FLOODWALL
- ② STEEL SHEET PILE RETAINING WALL
- ③ M-2.12 CURB AND GUTTER
- ④ 4" WHITE THERMOPLASTIC PAVEMENT MARKING
- ⑤ 4" YELLOW THERMOPLASTIC PAVEMENT MARKING
- ⑥ 24" HANDRAIL
- ⑦ 54" HANDRAIL
- ⑧ 6" TOPSOIL AND SEED
- ⑨ STONE DUMPED RIPRAP, CLASS A3 (12" MIN THICKNESS)
- ⑩ 5" PCC SIDEWALK
- ⑪ 6" PCC BIKE TRAIL
- ⑫ 4" SUBBASE GRANULAR MATERIAL, TYPE B
- ⑬ 2" BITUMINOUS CONCRETE SURFACE COURSE
- ⑭ 2 1/4" BITUMINOUS CONCRETE BINDER COURSE
- ⑮ 5" BITUMINOUS BASE COURSE
- ⑯ 6" SUBBASE GRANULAR MATERIAL, TYPE B
- ⑰ PAVEMENT REPLACEMENT
- ⑱ EARTH EXCAVATION
- ⑲ 48" EXPLORATION TRENCH
- ⑳ LEVEE EMBANKMENT
- ㉑ STEEL PLATE BEAM GUARDRAIL, TYPE A (SPECIAL)
- ㉒ 4" WHITE POLYUREA PAVEMENT MARKING
- ㉓ 4" DOUBLE YELLOW POLYUREA PAVEMENT MARKING
- ㉔ 6" PIPE UNDERDRAIN
- ㉕ 4" AGGREGATE SHOULDER
- ㉖ STEEL PLATE BEAM GUARDRAIL, TYPE A
- ㉗ 12" RCP STORM SEWER, TYPE 2, CLASS III

01/30/2006 10:01:45 AM P:\P60003332\General\Shf\02g08.shf

DESIGNED BY: \_\_\_\_\_  
DRAWN BY: \_\_\_\_\_  
CHECKED BY: \_\_\_\_\_  
CHECKED BY: \_\_\_\_\_