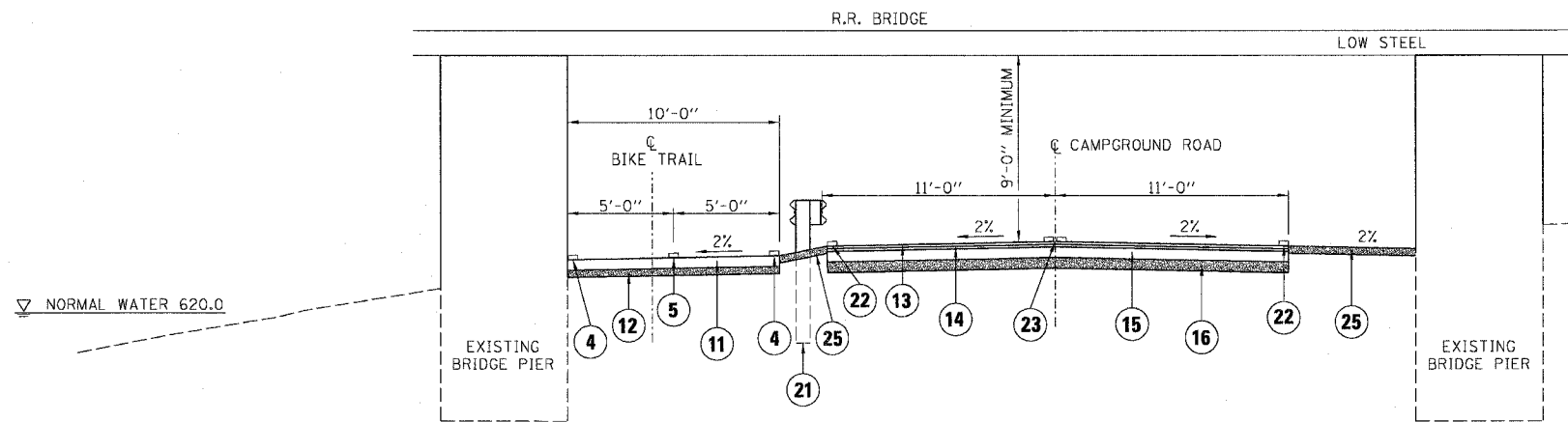
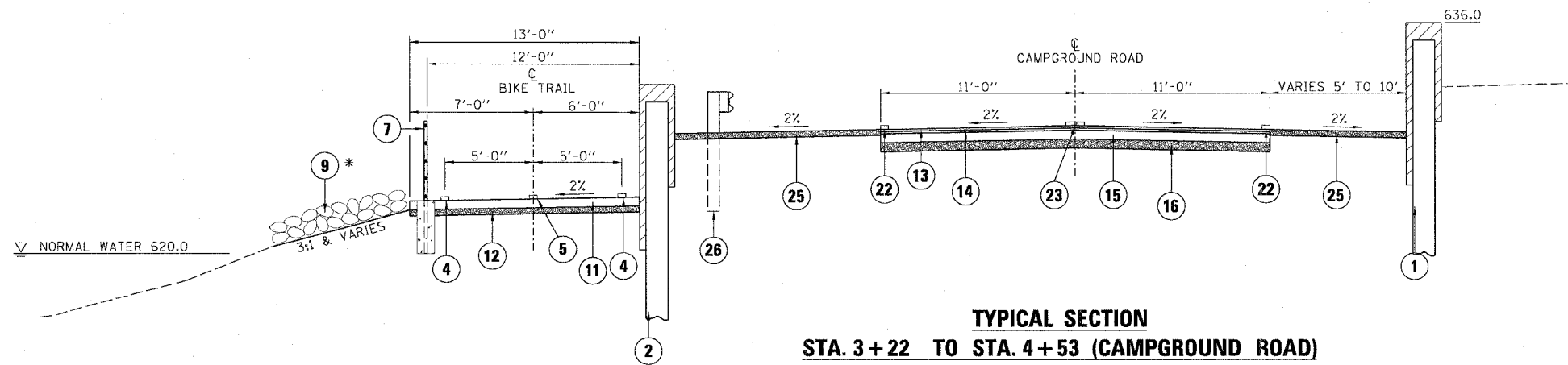


TYPICAL SECTION
STA. 1+00 TO STA. 2+60 (CAMPGROUND ROAD)
STA. 8+00 TO 9+60 (BIKE TRAIL)



TYPICAL SECTION
STA. 2+60 TO STA. 3+22 (CAMPGROUND ROAD)
STA. 9+80 TO STA. 10+60 (BIKE TRAIL)



TYPICAL SECTION
STA. 3+22 TO STA. 4+53 (CAMPGROUND ROAD)
STA. 10+60 TO STA. 11+65 (BIKE TRAIL)

LEGEND

- ① FLOODWALL
- ② STEEL SHEET PILE RETAINING WALL
- ③ M-2.12 CURB AND GUTTER
- ④ 4" WHITE THERMOPLASTIC PAVEMENT MARKING
- ⑤ 4" YELLOW THERMOPLASTIC PAVEMENT MARKING
- ⑥ 24" HANDRAIL
- ⑦ 54" HANDRAIL
- ⑧ 6" TOPSOIL AND SEED
- ⑨ STONE DUMPED RIPRAP, CLASS A3 (12" MIN THICKNESS)
- ⑩ 5" PCC SIDEWALK
- ⑪ 6" PCC BIKE TRAIL
- ⑫ 4" SUBBASE GRANULAR MATERIAL, TYPE B
- ⑬ 2" BITUMINOUS CONCRETE SURFACE COURSE
- ⑭ 2 1/4" BITUMINOUS CONCRETE BINDER COURSE
- ⑮ 5" BITUMINOUS BASE COURSE
- ⑯ 6" SUBBASE GRANULAR MATERIAL, TYPE B
- ⑰ PAVEMENT REPLACEMENT
- ⑱ EARTH EXCAVATION
- ⑲ 48" EXPLORATION TRENCH
- ⑳ LEVEE EMBANKMENT
- ㉑ STEEL PLATE BEAM GUARDRAIL, TYPE A (SPECIAL)
- ㉒ 4" WHITE POLYUREA PAVEMENT MARKING
- ㉓ 4" DOUBLE YELLOW POLYUREA PAVEMENT MARKING
- ㉔ 6" PIPE UNDERDRAIN
- ㉕ 4" AGGREGATE SHOULDER
- ㉖ STEEL PLATE BEAM GUARDRAIL, TYPE A
- ㉗ 12" RCP STORM SEWER, TYPE 2, CLASS III

CAMPGROUND ROAD MIXTURE REQUIREMENTS

| ITEM | AC TYPE | VOIDS | RAP % |
|---|----------|-------------|-------|
| BITUMINOUS CONCRETE BINDER COURSE, SUPERPAVE, IL-19.0, N50 | PG 58-22 | 4% @ 50 Gry | 25 |
| BITUMINOUS BASE COURSE, SUPERPAVE | PG 58-22 | 2% @ 50 Gry | 50 |
| BITUMINOUS CONCRETE SURFACE COURSE, SUPERPAVE, MIX "C", N50 | PG 64-22 | 4% @ 50 Gry | 15 |

* PER IDOT STANDARD ART. 281.04 (d), MINIMUM 12" THICKNESS PLACED ON FILTER FABRIC, NO ADDITIONAL COMPENSATION WILL BE MADE FOR THE INCREASED THICKNESS OF THE STONE DUMPED RIP RAP, CLASS A-3 AT THE LOCATION OF THE TOE TRENCH.

DESIGNED BY: _____ CHECKED BY: _____
DRAWN BY: _____

01/30/2006 10:02:06 AM P:\P60003332\General\Shh\02g09.shd