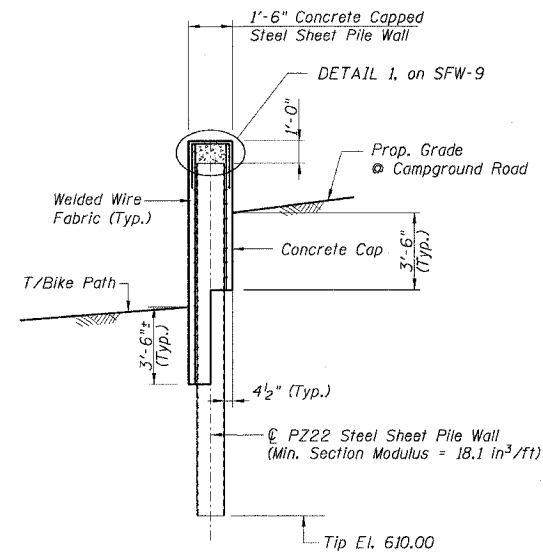
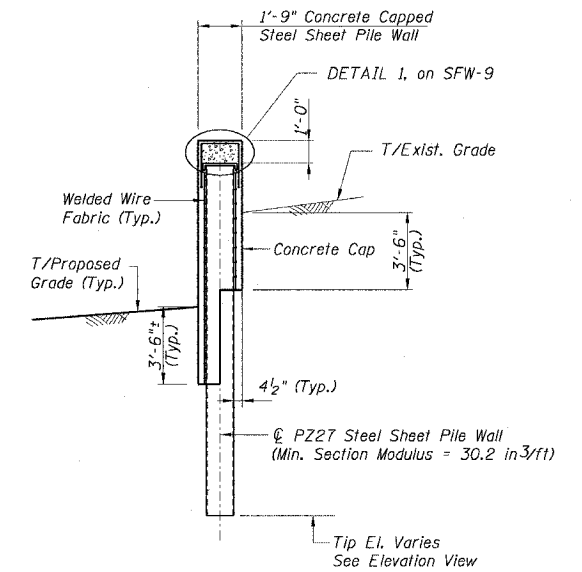


**PROFILE GRADE
BIKE TRAIL SUPPORT WALL FOR CAMPGROUND ROAD**



SECTION B-B



SECTION D-D

NOTES:

1. For Welded Wire Fabric and Shear Studs Details for Concrete Cap, See Floodwall Sheets.
2. For Form Liner Finish, Limits and Details see Floodwall Sheets. Apply Form Liner Finish on both sides of Concrete Cap.

BILL OF MATERIAL

Item	Units	Quantity
Structure Excavation	Cu. Yd.	95
Concrete Structures	Cu. Yd.	82
Architectural Concrete Form Liner Finish	Sq. Ft.	605
Protective Coat	Sq. Yd.	210
Steel Sheet Piling	Sq. Ft.	6200
Reinforcement Bars, Epoxy Coated (Including Welded Wire Fabric)	Pound	4570
Stud Shear Connectors	Each	860

REVISION	
DATE	DESCRIPTION

DESIGNED BY: GEC/DVP
DRAWN BY: BJ/EMT
CHECKED BY: DPV
CHECKED BY: DPV

PLANS PREPARED BY:

CTE | AECOM

CTE
303 East Wacker Drive, Suite 600, Chicago, Illinois 60601-5276
T 312.938.0300 F 312.938.1109 www.cte.aecom.com

SCALE: NONE

SCR-2 FR-416