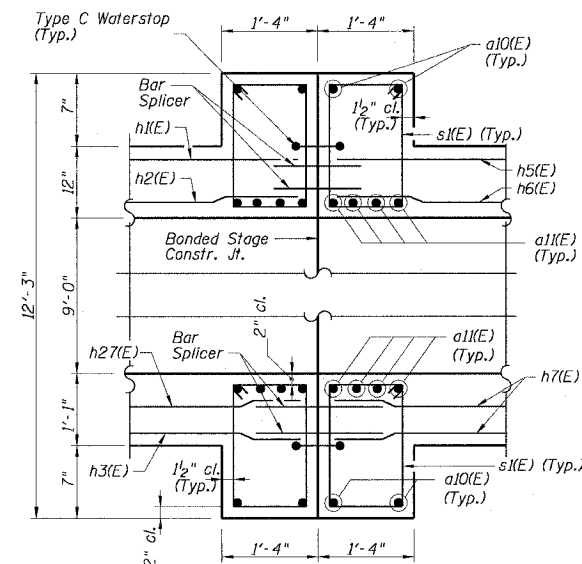


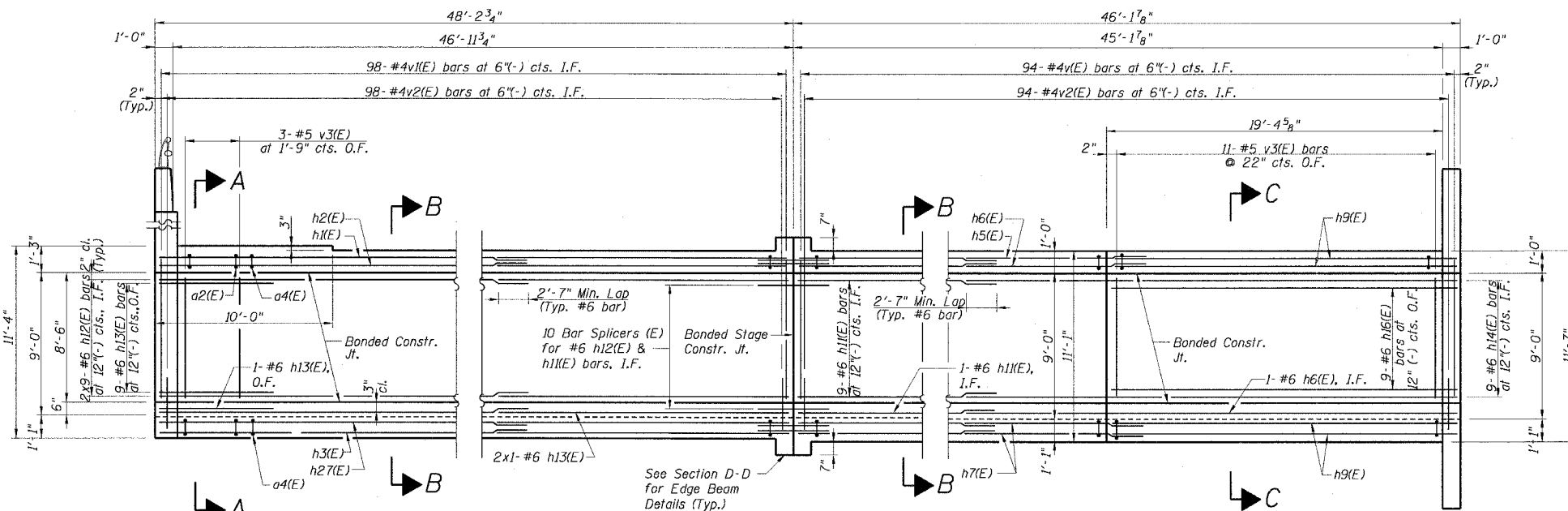
WEST WALL ELEVATION

(Looking West)
Dimensions shown along skew
Headwall reinforcement not shown for clarity.



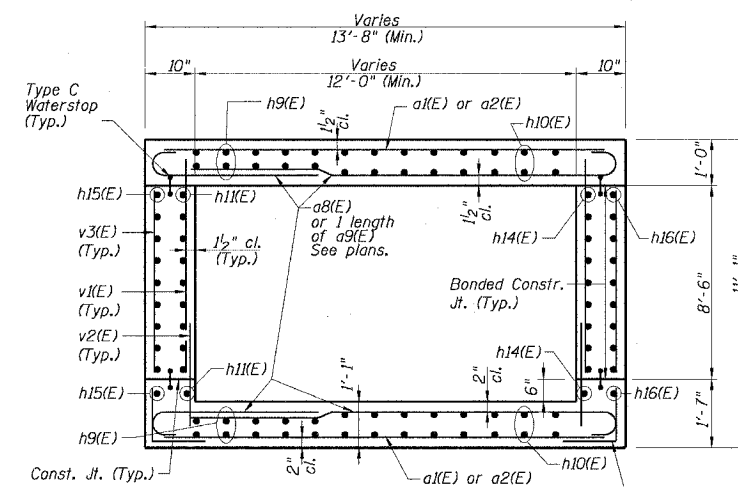
SECTION D-D

Type C Waterstop shall also be installed in vertical construction joints at stage construction line.



EAST WALL ELEVATION

(Looking West)
Dimensions shown along skew
Headwall reinforcement not shown for clarity.



SECTION C-C

(Wall dimensions measured perpendicular to walls)

NOTES:

- O.F. denotes Outside Face
- I.F. denotes Inside Face
- E.F. denotes Each Face
- For Sections A-A & B-B, see sheet SMU-4.
- For Location of Section D-D, see Sheet SMU-4.
- For Waterstop Details, see Sheet SGND-2.

REVISION	
DATE	DESCRIPTION

SCALE: NONE

SMU-5 FR-416

01/31/2006 11:08:37 AM P:\P60003332\Sheet\035101-SMU-5.sht

DESIGNED BY: MMB
CHECKED BY: BJM
DRAWN BY: RJ

PLANS PREPARED BY:
CTE | AECOM

CTE
303 East Wacker Drive, Suite 600, Chicago, Illinois 60601-5276
T 312.938.0300 F 312.938.1109 www.cte.aecom.com