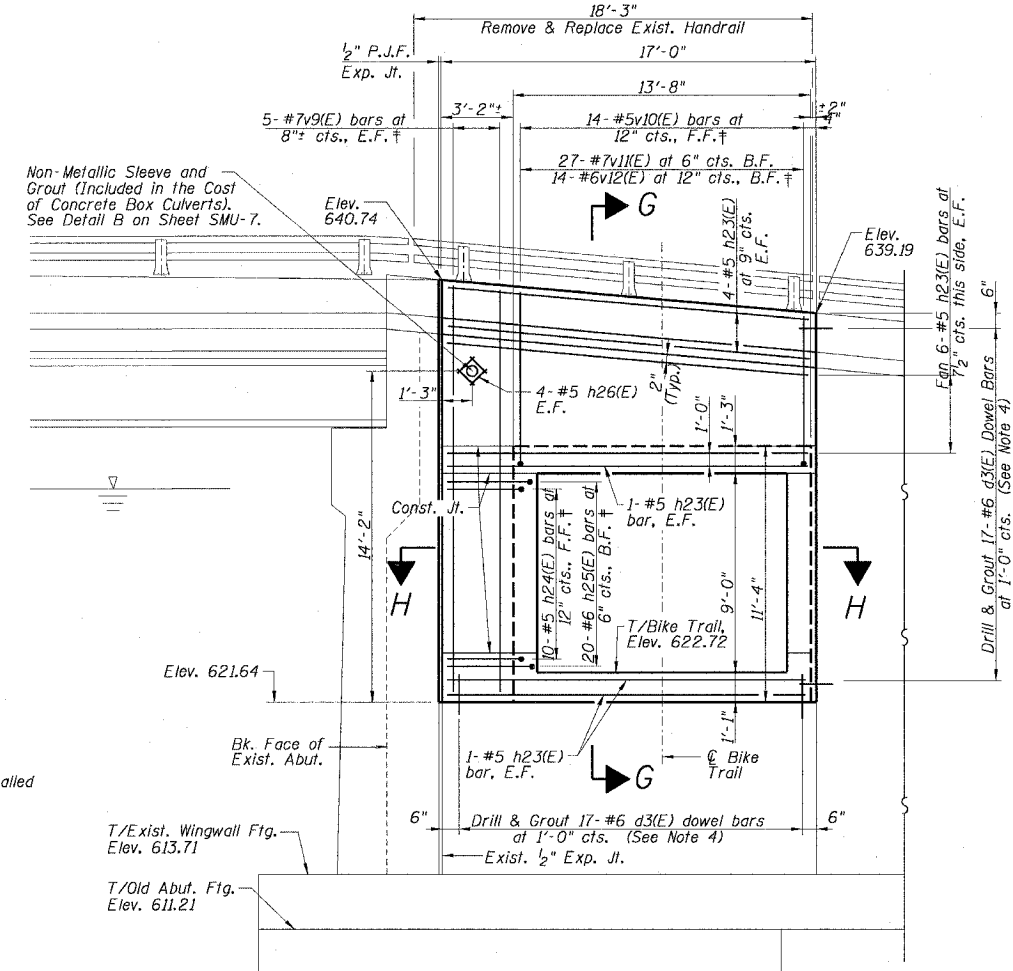
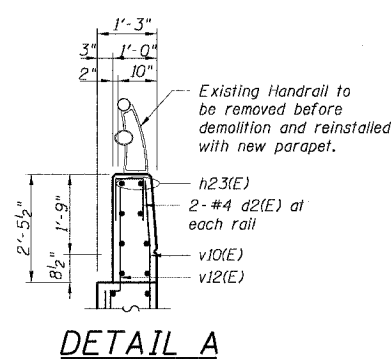


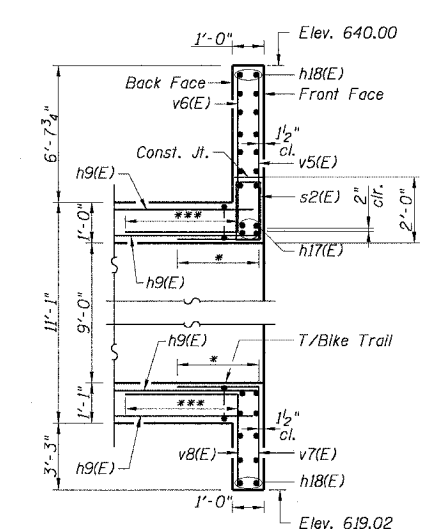
NORTH ELEVATION
(Looking South)
(Dimensions shown along outside face of Culvert)



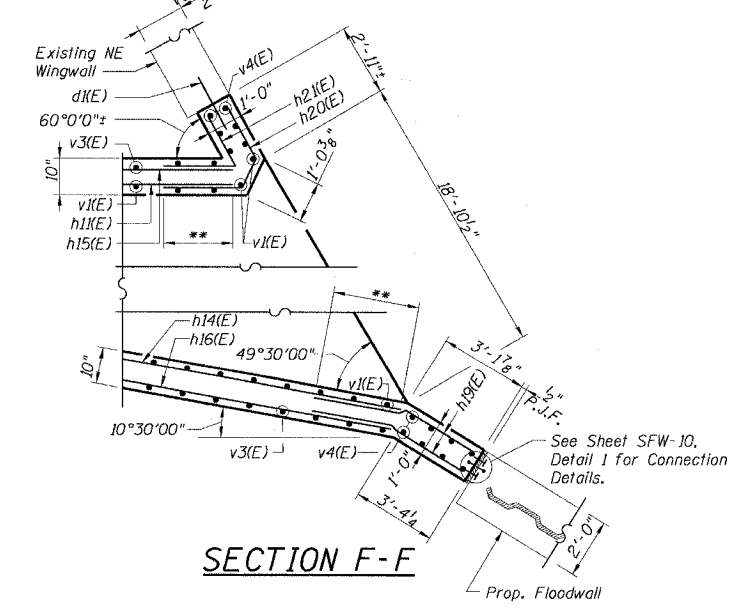
SOUTH ELEVATION
(Looking North)
(Dimensions shown along front face of Culvert)



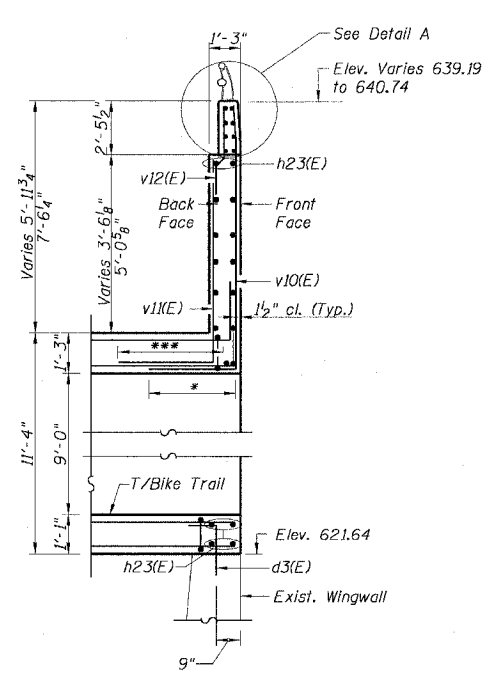
DETAIL A



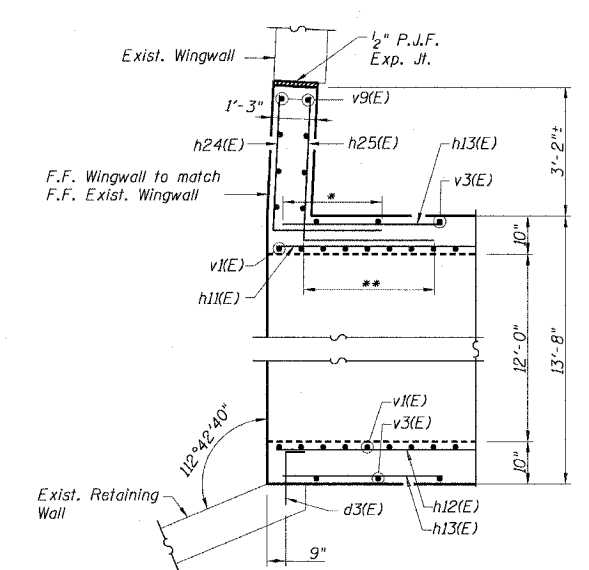
SECTION E-E



SECTION F-F



SECTION G-G



SECTION H-H

- NOTES:**
1. E.F. denotes "Each Face"
 2. F.F. denotes "Front Face"
 3. B.F. denotes "Back Face"
 4. Cost of drilling and grouting d1(E) & d3(E) bars shall be included in cost of Concrete Structures.
- * 2'-2" Min. Lap #5 bar (Typ.)
 ** 2'-7" Min. Lap #6 bar (Typ.)
 *** 3'-5" Min. Lap #7 bar (Typ.)
 † Cut to fit in Field

REVISION	
DATE	DESCRIPTION

DESIGNED BY: MIMB
 CHECKED BY: BJM
 DRAWN BY: RJ
 CHECKED BY: BJM

PLANS PREPARED BY:
CTE | AECOM

CTE
 303 East Wacker Drive, Suite 600, Chicago, Illinois 60601-5276
 T 312.938.0300 F 312.938.1109 www.cte.aecom.com

SCALE: NONE

SMU-6 FR-416

01/31/2006 11:05:00 AM p:\p60003332\stfuct\sh1\03s102-SMU-6.sht