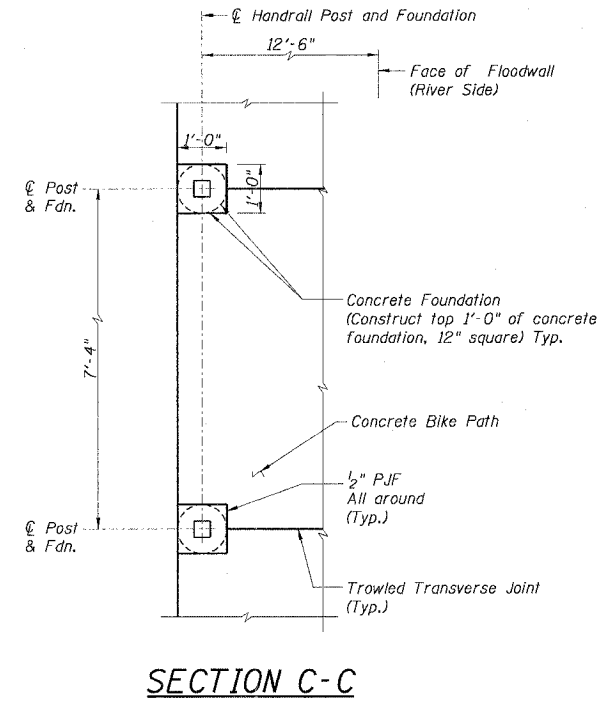
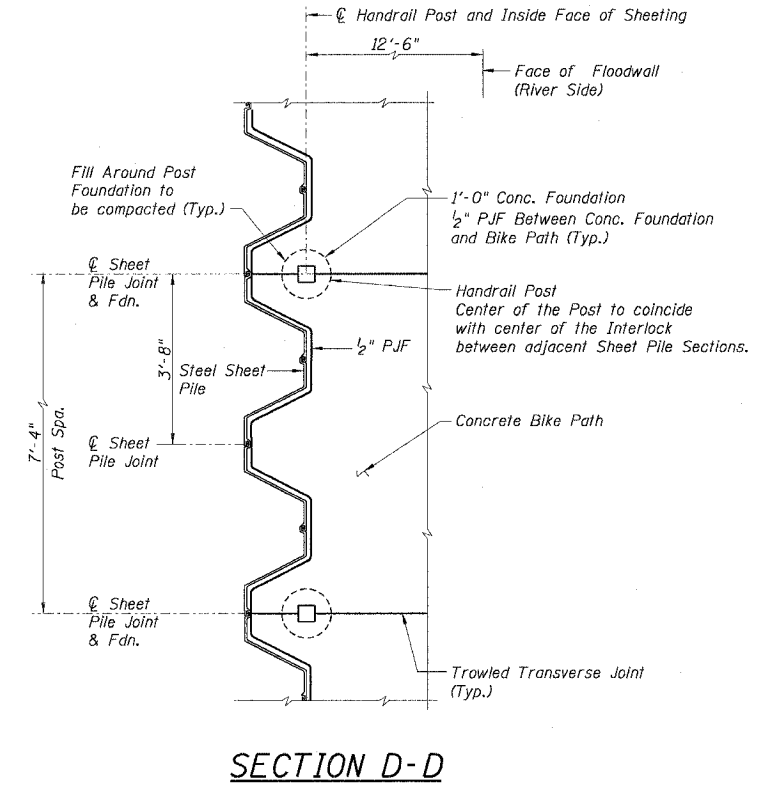


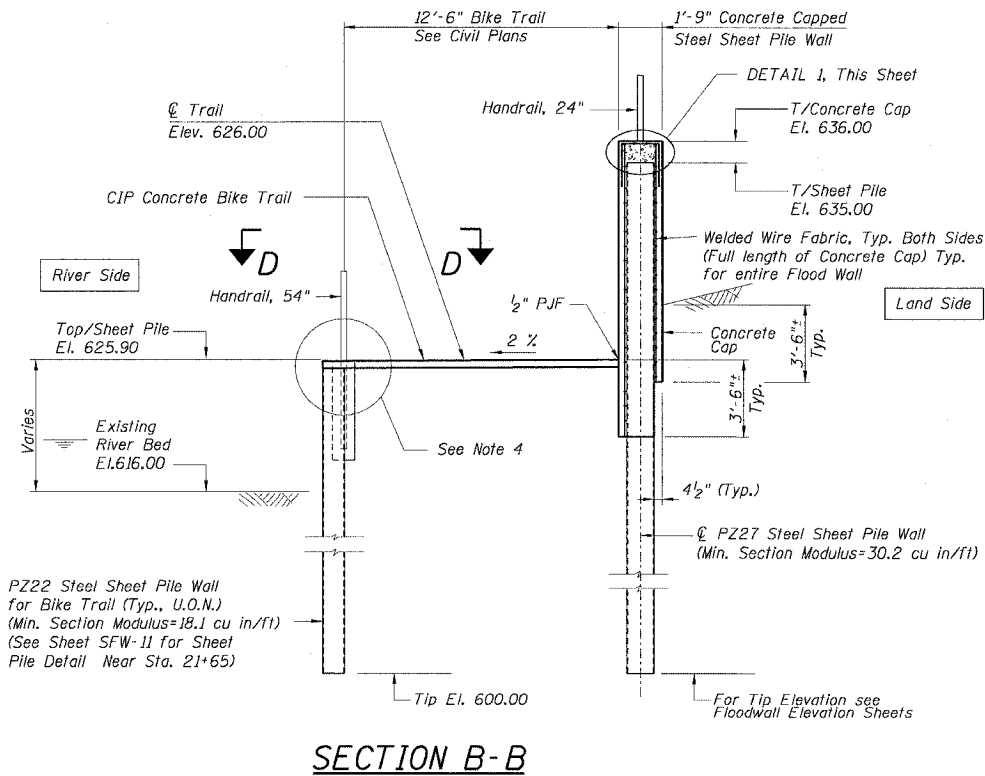
SECTION A-A



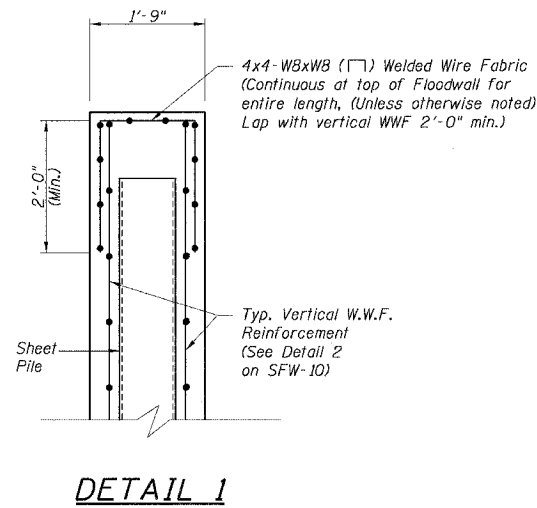
SECTION C-C



SECTION D-D



SECTION B-B



DETAIL 1

NOTES:

1. Sheet Pile driving, Concrete Foundation for Handrail Post and other Work may require dewatering to keep construction area dry, cost of which is considered included with Steel Sheet Piling.
2. For Bottom of Concrete Cap Elevations, see Sheets SFW-1 thru SFW-8.
3. Coordinate handrail post spacing with sheet pile work. The spacing may need to be adjusted based on final sheet pile section. Do not begin fabrication of handrail until final post spacing is approved.
4. Provide a single row of Shear Studs for 37'-6" length of the Sheet Pile Wall centered at the center line of existing Outfall Pipe. See Sheet SFW-4 for location. See Sheet SFW-10 for Details of Shear Studs. Provide Shear Studs 6" below top of the Sheet Pile Wall. Provide Shear Studs only on the Concrete side face of the Sheet Pile Wall.
5. Provide steel walers and connections at locations shown in the Plans. Cost of walers and connections is considered included with STEEL SHEET PILING.

REVISION	
DATE	DESCRIPTION

PLANS PREPARED BY:
CTE | AECOM

CTE
303 East Wacker Drive, Suite 600, Chicago, Illinois 60601-5276
T 312.938.0300 F 312.938.1109 www.cte.aecom.com

SCALE: NONE

SFW-9 FR-416