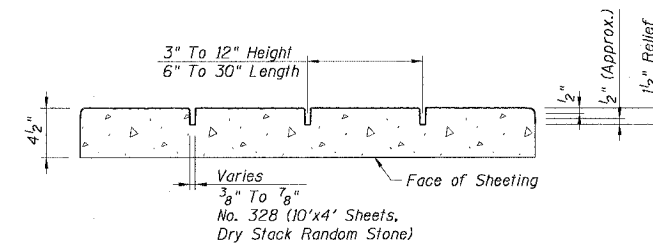


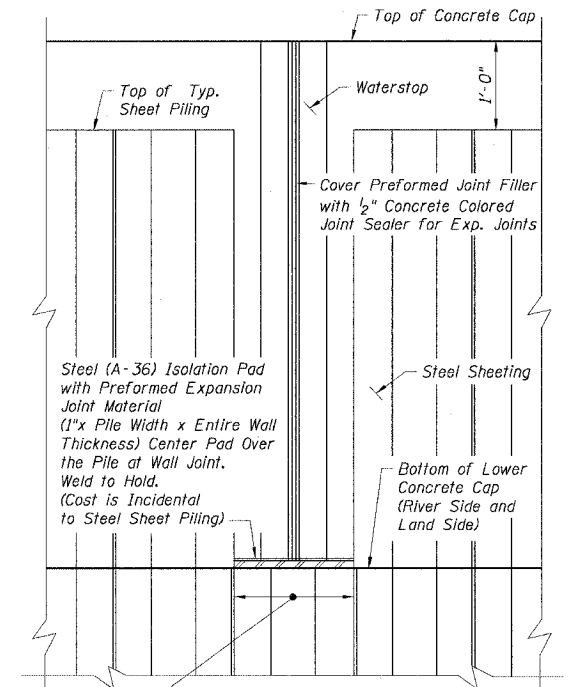
LAND SIDE RIVER SIDE (BIKE TRAIL SIDE)

**LIMITS OF FORM LINER FINISH FOR FLOOD WALL**

(For Form Liner Finish Details, See Specifications)

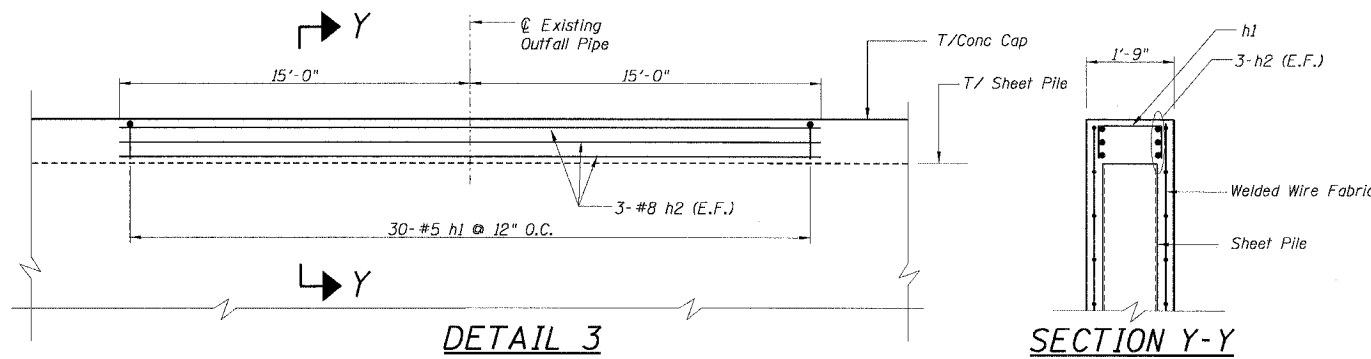


**TYP. DETAIL FOR FORM LINER**



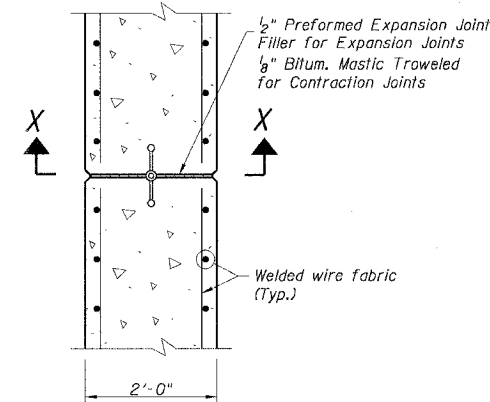
Stop One Piece of Sheet Pile Section at the Bottom of the Lower Concrete Cap (River Side and Land Side) at Expansion and Contraction Joints. Extend Concrete Cap on Both Sides of the Sheeting to the Top of the Steel Isolation Pad.

**TYP. JOINT DETAIL ELEVATION**

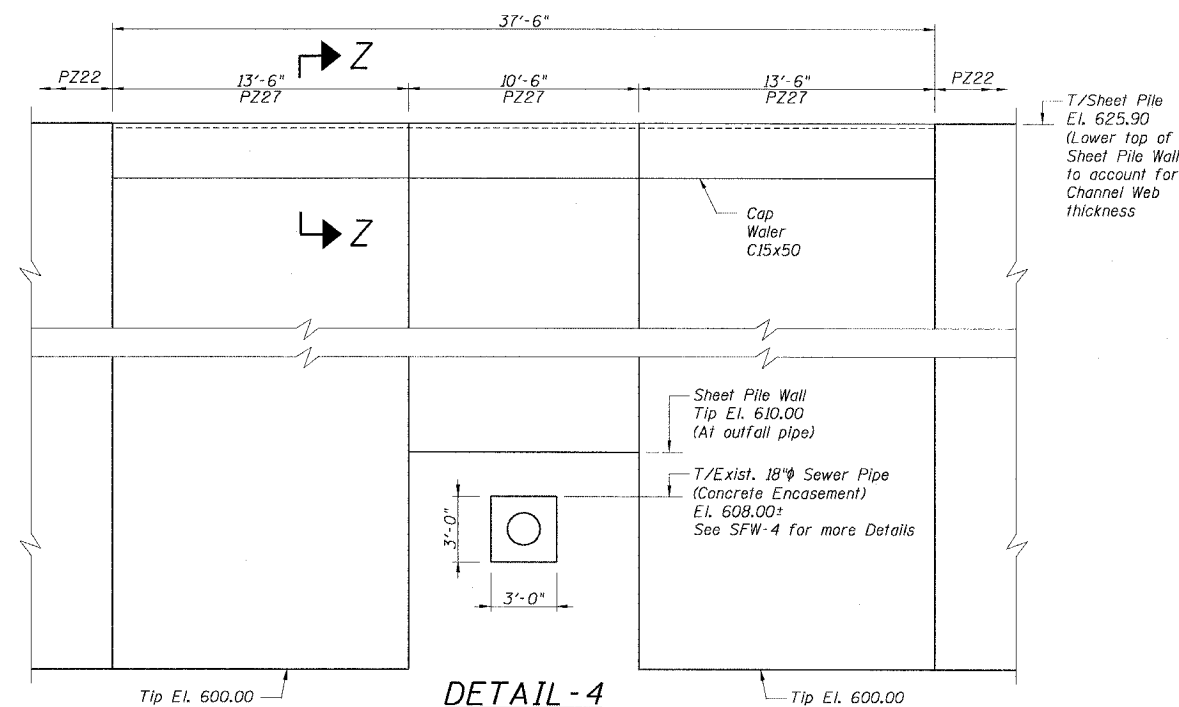


**DETAIL 3**  
(Concrete Cap Detail for Floodwall near Sta. 21+65±)

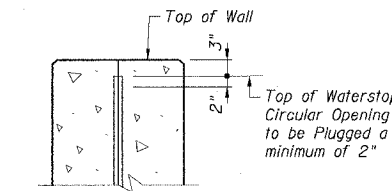
**SECTION Y-Y**



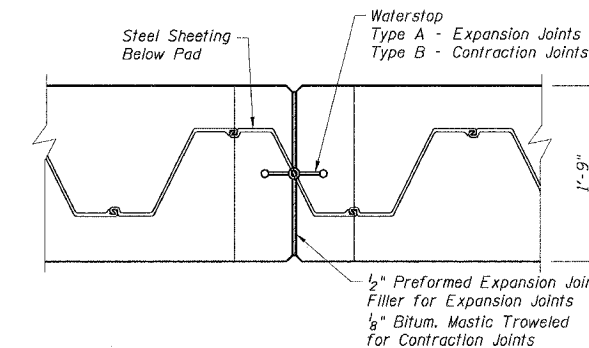
**PLAN**



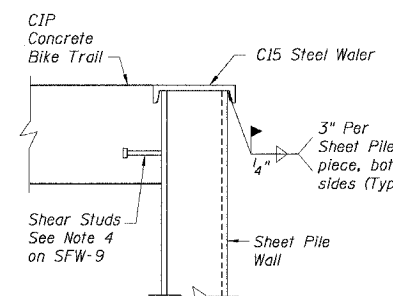
**DETAIL-4**  
(ELEVATION LOOKING SOUTH)  
Water Detail for Sheet Pile Wall for Bike Trail Support near Sta. 21+65±



**SECTION X-X**  
JOINT DETAIL - TOP OF WALL



**TYP. JOINT DETAIL PLAN VIEW**



**SECTION Z-Z**

**NOTES:**

1. Contraction and Expansion Joint Spacing may be varied to Center joints over the center of the Steel Sheeting.
2. Stop Reinforcement a maximum of 4" and minimum of 2" from center line of Contraction Joints and Expansion Joints.
3. See Sheet SGND-2 for Waterstop Details.

REVISION	
DATE	DESCRIPTION

PLANS PREPARED BY:  
**CTE | AECOM**

CTE  
303 East Wacker Drive, Suite 600, Chicago, Illinois 60601-6276  
T 312.938.0300 F 312.938.1109 www.cte.aecom.com

SCALE: NONE

**SFW-11** FR-416

01/31/2006 08:50:35 AM p:\p60003332\struct\shf\035117-SFW-11.shf

DESIGNED BY: GEC/DPV CHECKED BY: DPV  
DRAWN BY: R/EMT CHECKED BY: