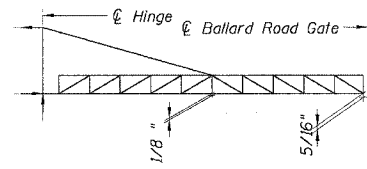
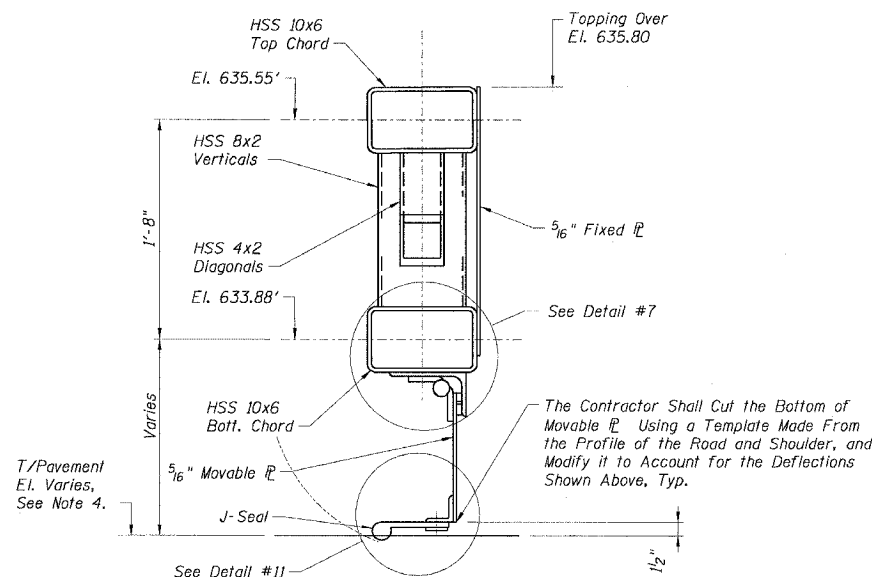


ELEVATION A-A - LOOKING SOUTH EAST



THEORETICAL DEFLECTION DIAGRAM
(Typ. Both Leaves)



SECTION B-B

NOTES:

1. For General Notes, see Sheet SGND-1.
2. For Plan and Detail Elevations, see Sheets SBC-5 & SBC-6.
3. For Detail #7 and Detail #11, see Sheet SRBC-2.
4. Top of Pavement Elevations Shown are Approximate and Must be Verified in the Field by the Contractor Prior to Fabrication of Movable Plate on Bottom of Gate.

REVISION	
DATE	DESCRIPTION

PLANS PREPARED BY:

CTE | AECOM

CTE
303 East Wacker Drive, Suite 600, Chicago, Illinois 60601-6276
T 312.938.0300 F 312.938.1109 www.cte.aecom.com

SCALE: NONE

SBC-4 FR-416