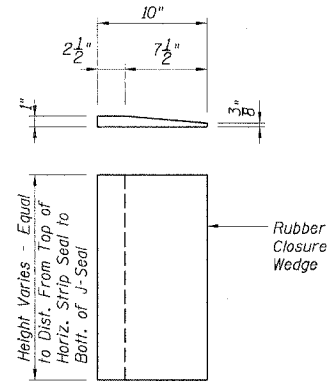
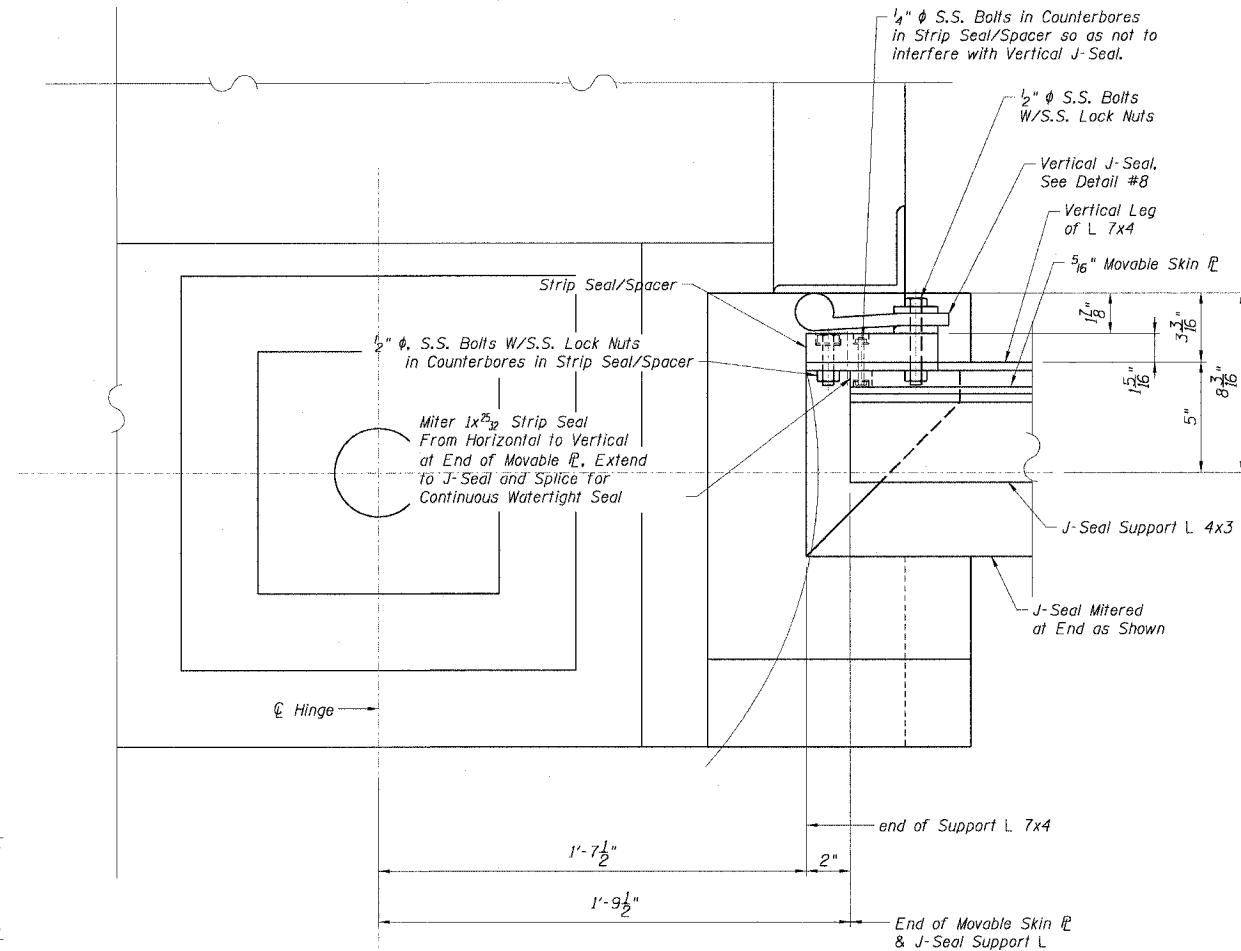


SECTION AH-AH

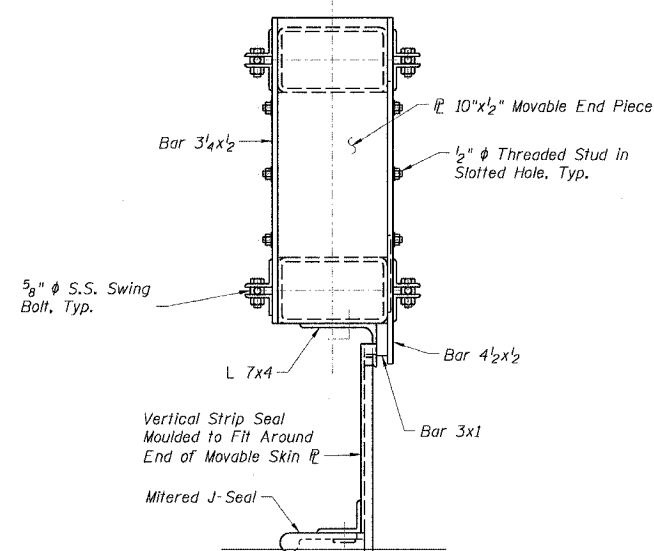


DETAIL #20

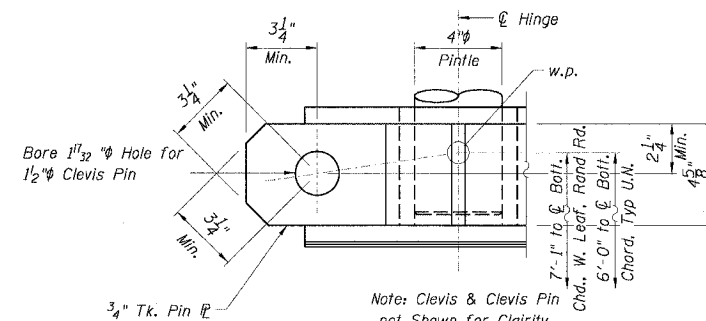


SECTION X-X (Shown)

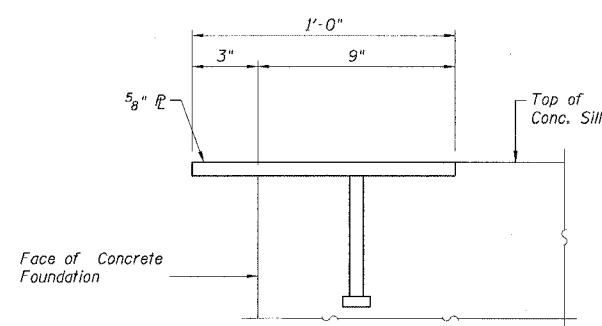
SECTION AA-AA (Opp. Hand)



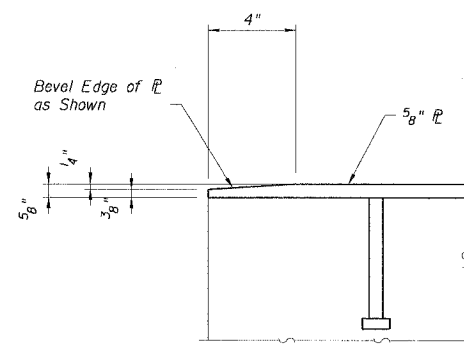
SECTION AJ-AJ



DETAIL #21



SECTION AM-AM



SECTION AL-AL

NOTE:

Work Sheets SRBC-1 thru SRBC-5 Together.

REVISION	
DATE	DESCRIPTION

PLANS PREPARED BY:

CTE | AECOM

CTE
303 East Wacker Drive, Suite 600, Chicago, Illinois 60601-6276
T 312.938.0300 F 312.938.1109 www.cte.aecom.com

SCALE: NONE

SRBC-4 FR-416