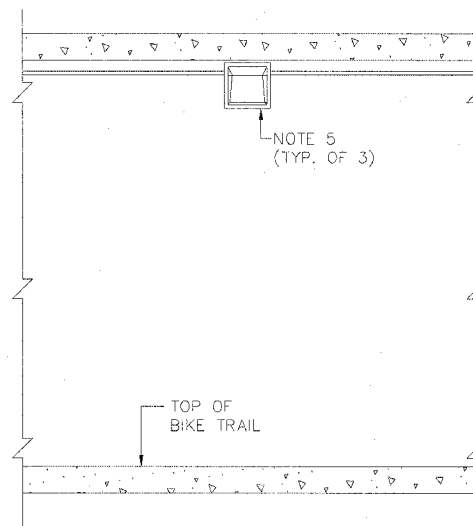
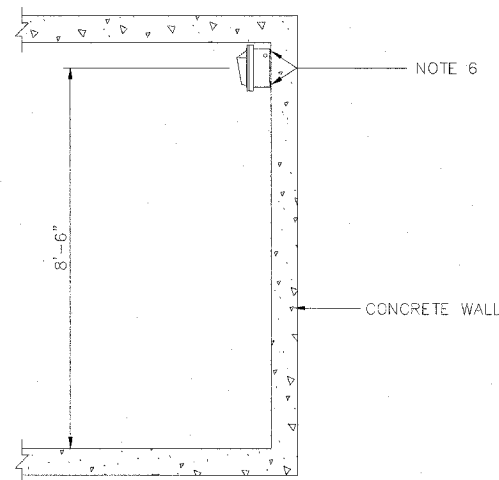


NOTES:

1. SEE DRAWING NO. E-1 FOR LEGEND, CABLE GROUPINGS SCHEDULE, ABBREVIATIONS AND GENERAL NOTES.
2. ALL CONDUIT RUNS FOR UNDERPASS LIGHTING UNITS SHALL CONTAIN 2-1/C #10 AND 1-1/C #10 GROUND, UNLESS NOTED OTHERWISE.
3. ALL EXPOSED CONDUITS, FOR UNDERPASS LIGHTING SHOWN ON STRUCTURE SHALL BE 1 INCH RGS CONDUIT, UNLESS NOTED OTHERWISE. THE CONTRACTOR SHALL PROVIDE ANY LABOR AND EQUIPMENT DEEMED NECESSARY TO MOUNT THE CONDUIT ATTACHED TO STRUCTURE.
4. NOT USED
5. UNDERPASS LUMINAIRE, WITH MOUNTING BRACKET, SHALL BE A 55-WATT LPS UNIT, AS MANUFACTURED BY NUART MANUFACTURING INC., OR APPROVED EQUAL. VOLTAGE FOR UNDERPASS LUMINAIRE SHALL BE 240V, SINGLE PHASE.
6. EXPANSION ANCHORS, TYPICAL. POWDER ACTUATED FASTENERS WILL NOT BE ALLOWED. PROVIDE EXPANSION ANCHORS AS REQUIRED.

LEGEND

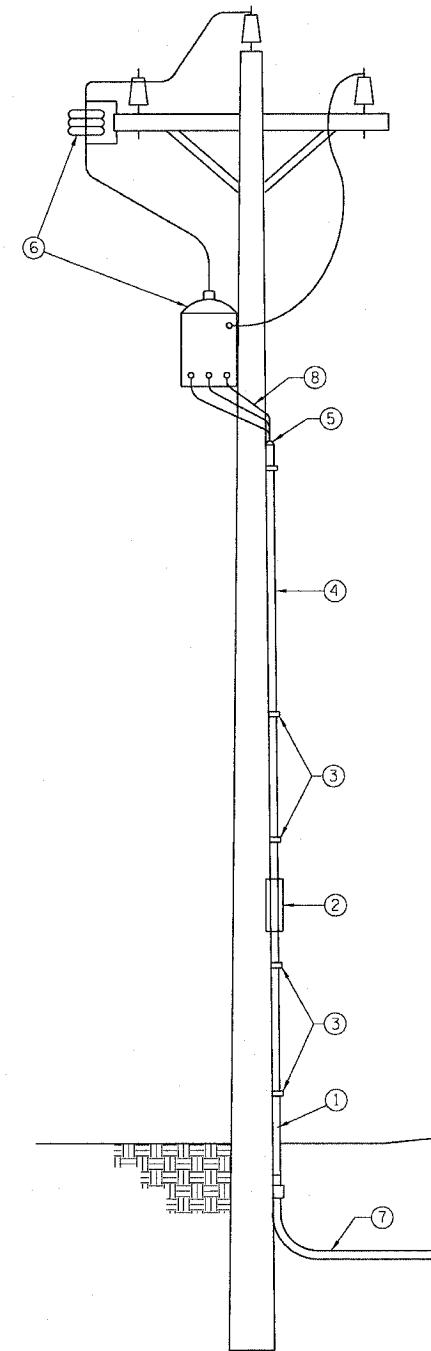
- ① CONDUIT - 2 1/2" DIA., IF REQUIRED. ONE 10' SECTION AND ONE 90 ELBOW.
- ② OUTDOOR ADAPTER COUPLING FOR METALLIC TO NON-METALLIC CONDUIT.
- ③ GALVANIZED CONDUIT STRAPS AND LAG SCREWS.
- ④ 2 1/2" DIA. NON-METALLIC, RIGID CONDUIT, APPROXIMATELY 17' LONG.
- ⑤ WEATHERPROOF SERVICE HEAD.
- ⑥ ELECTRIC SERVICE INSTALLATION: TRANSFORMER, CUT-OUT SWITCH, LIGHTNING ARRESTER, GROUNDING EQUIPMENT, INSULATORS, WIRES, POLE, MAST ARM, HARDWARE AND ANY OTHER EQUIPMENT.
- ⑦ CONDUIT IN TRENCH - 2 1/2" DIA.
- ⑧ ELECTRIC CABLE AS NOTED ON PLANS.



SECTION

ELEVATION

UNDERPASS LIGHTING DETAILS
NOT TO SCALE



ELECTRIC SERVICE INSTALLATION
NOT TO SCALE

PLANS PREPARED BY:

CTE | AECOM

CTE
303 East Wacker Drive, Suite 600, Chicago, Illinois 60601-5276
T 312.938.0300 F 312.938.1109 www.cte.aecom.com

REVISION	
DATE	DESCRIPTION

SCALE: NONE
FR-416