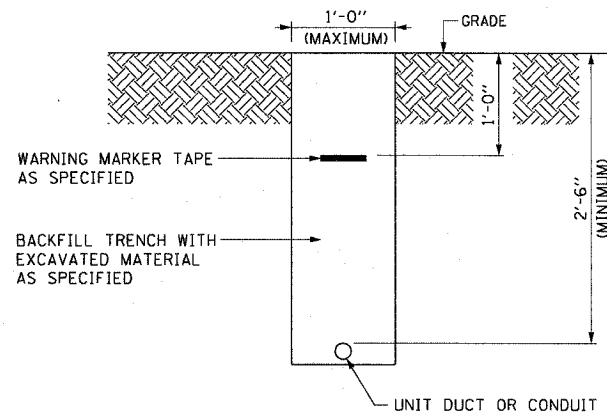
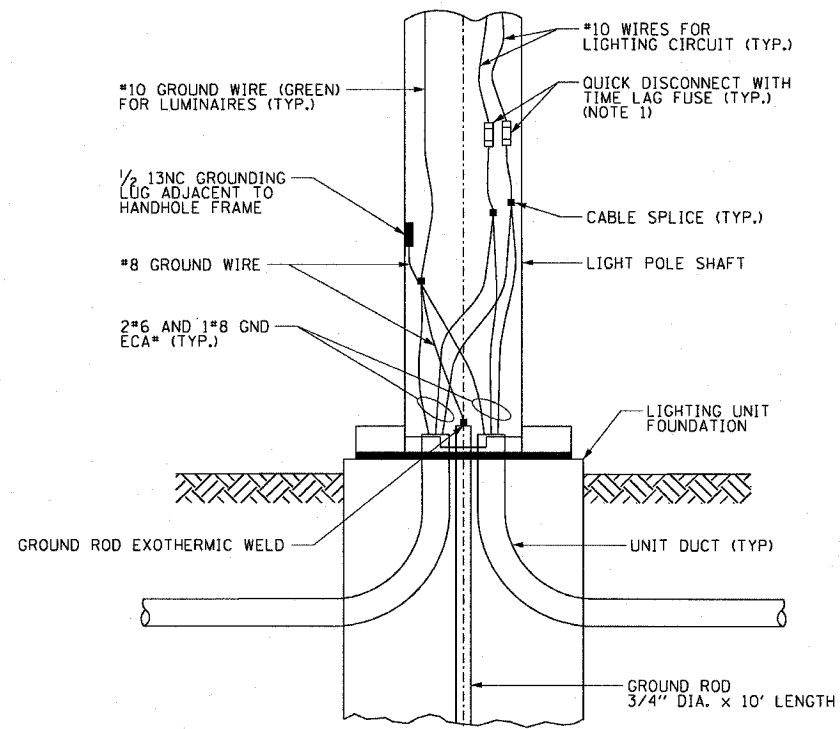


**NOTES:**

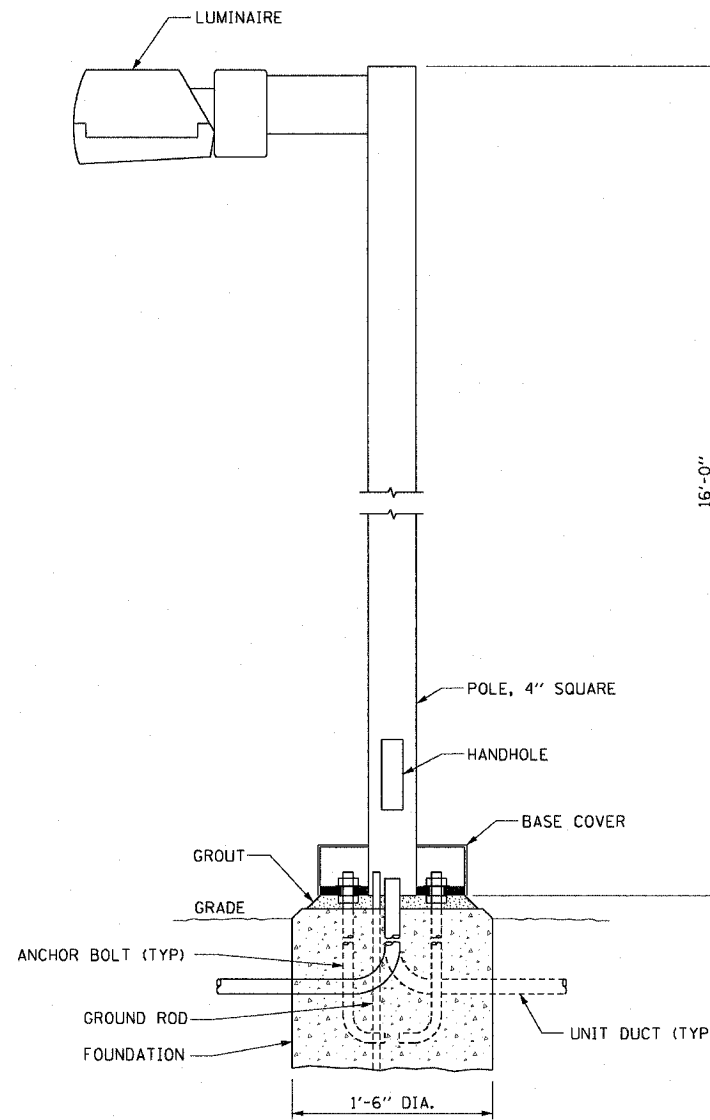
1. PROVIDE A TIME LAG FUSE TYPE KTK FOR PHASE WIRES IN A WATERPROOF FUSE HOLDER WITH QUICK DISCONNECT. THE FUSE RATING: 3 AMP FUSE.



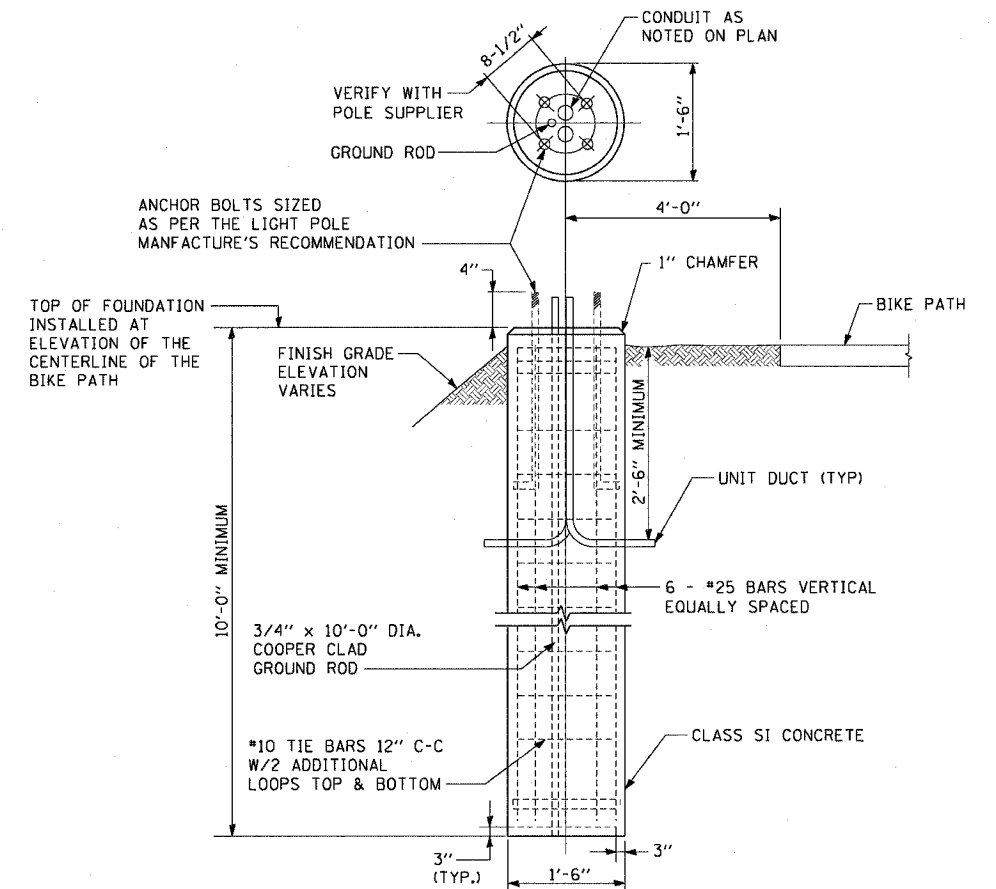
TYPICAL UNIT DUCT AND CONDUIT IN TRENCH  
NOT TO SCALE



POLE BASE WIRING  
NOT TO SCALE



BIKE TRAIL LIGHTING UNIT  
NOT TO SCALE



FOUNDATION & CONDUITS DETAIL  
NOT TO SCALE

DESIGNED BY: D.E.S.  
CHECKED BY: H.A.R.  
DRAWN BY:

PLANS PREPARED BY:

**CTE | AECOM**

CTE  
303 East Wacker Drive, Suite 600, Chicago, Illinois 60601-5276  
T 312.838.0300 F 312.838.1108 www.cte.aecom.com

| REVISION |             |
|----------|-------------|
| DATE     | DESCRIPTION |
|          |             |
|          |             |
|          |             |
|          |             |

SCALE: NONE

FR-416