

BY	
REVISION	
DATE	

Kewanee Municipal Airport
 Kewanee, Henry County, Illinois
 A.I.P. PROJ.: 3-17-0058-810
 I.L. PROJ.: E2I-3533

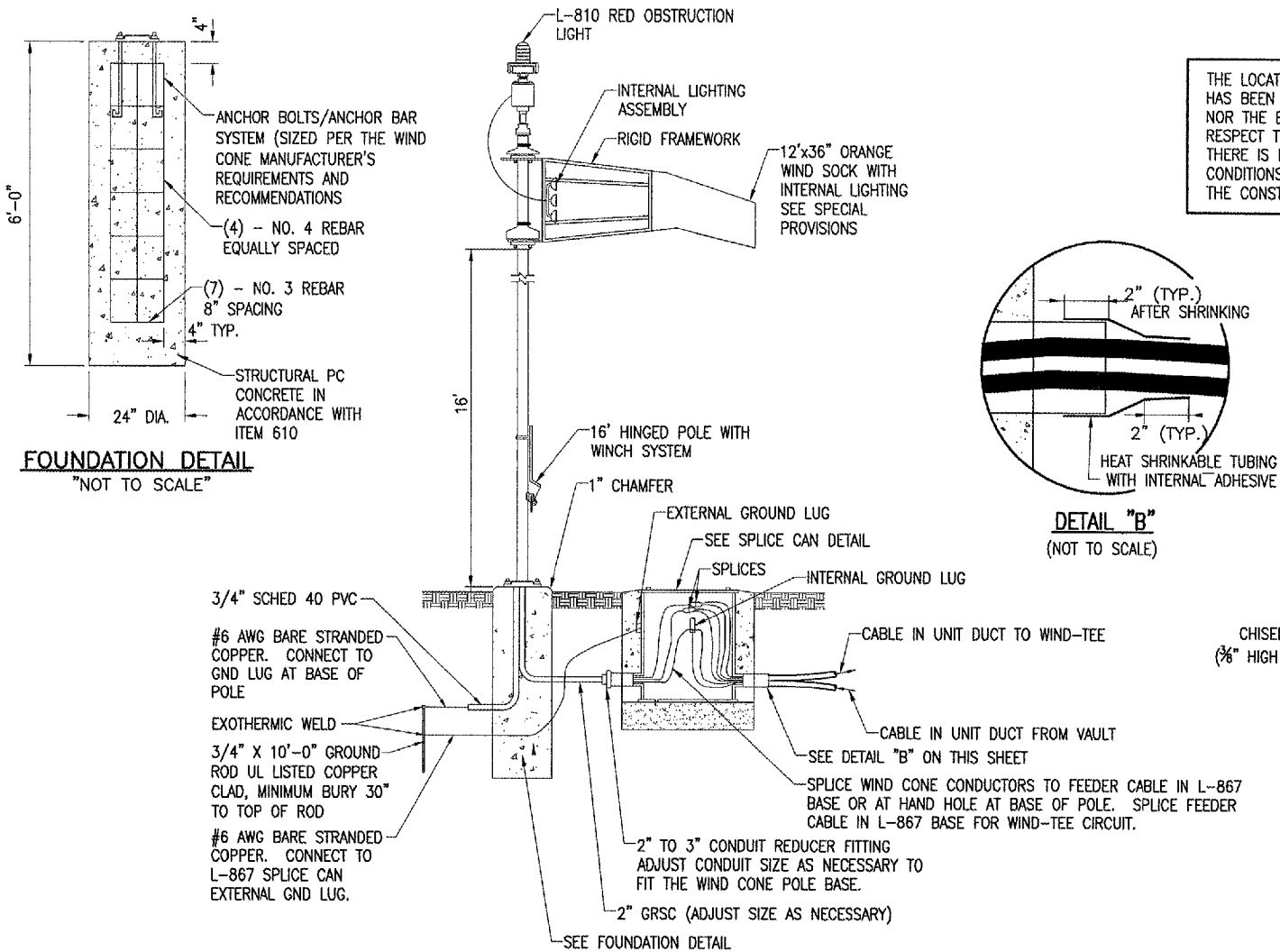
HEL Project No.	810-067XYD 0800
Filename	E-503.DWG
Scale	NONE
Date	04/22/05
LAYOUT	KNL 11/11/05
DRAWN	MV 11/15/05
REVIEWED	LDP 01/17/06



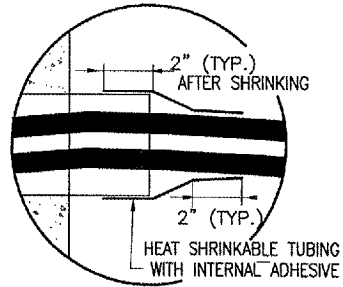
OVERLAY TXY & APRON
 CONSTRUCT VAULT
 WIND CONE
 ELEVATION DETAIL

THE LOCATION OF UNDERGROUND UTILITIES AS INDICATED ON THE PLANS HAS BEEN OBTAINED FROM EXISTING RECORDS. NEITHER THE OWNER NOR THE ENGINEER ASSUMES ANY RESPONSIBILITY WHATSOEVER, IN RESPECT TO THE ACCURACY OR SUFFICIENCY OF THE INFORMATION AND THERE IS NO GUARANTEE, EITHER EXPRESSED OR IMPLIED, THAT THE CONDITIONS ARE REPRESENTATIVE OF THOSE TO BE ENCOUNTERED IN THE CONSTRUCTION.

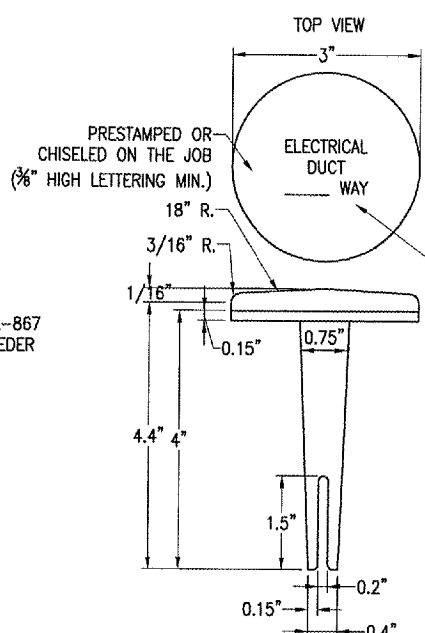
- NOTE:**
1. THE COST OF ALL TURF AND PAVEMENT DUCT MARKERS SHALL BE INCIDENTAL TO THE DUCT. THE COST OF ALL CABLE MARKERS SHALL BE INCIDENTAL TO THE CABLE.
 2. BITUMINOUS PAVEMENT DUCT MARKER AND CONCRETE DUCT MARKER TO BE PROVIDED AT EACH END OF EACH DUCT AS SHOWN ON THE LOCATION PLAN. FOR CONCRETE PAVEMENT, THE LETTER "D" SHALL BE IMPRESSED IN THE PAVEMENT INSTEAD OF THE MARKER. THE LETTER SHALL BE IMPRESSED AS DESCRIBED IN NOTE 4.
 3. CABLE MARKERS SHALL BE PLACED AT CHANGES OF DIRECTION AND APPROXIMATELY EVERY 200' ALONG CABLE RUNS.
 4. LETTERS 4" HIGH, 3" WIDE WITH WIDTH OF STROKE 1/2" AND 1/4" DEEP. ALL LETTERS, NUMBERS AND ARROWS TO BE IMPRESSED.



- NOTES**
1. WIND CONE SHALL BE FAA APPROVED L-807, STYLE 1B INTERNALLY LIGHTED, SIZE 2 WITH ORANGE WIND SOCK, 120 VAC, & WITH L-810 OBSTRUCTION LIGHT, SEE SPECIAL PROVISION SPECS.
 2. L-807 WIND CONE 12' INTERNALLY LIT SHALL BE PAID FOR UNDER ITEM AR107812.
 3. SEE SHEETS 38, 42, 43, 46, & 49 FOR ADDITIONAL INFORMATION REGARDING WIND CONE CIRCUIT WIRING.

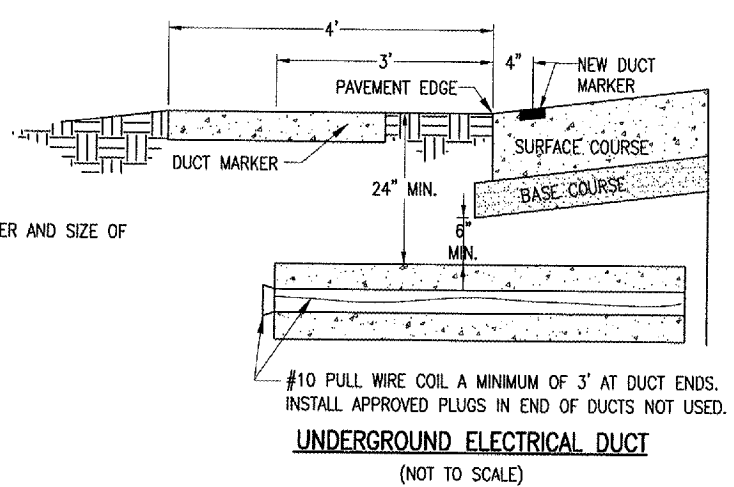


DETAIL "B"
 (NOT TO SCALE)

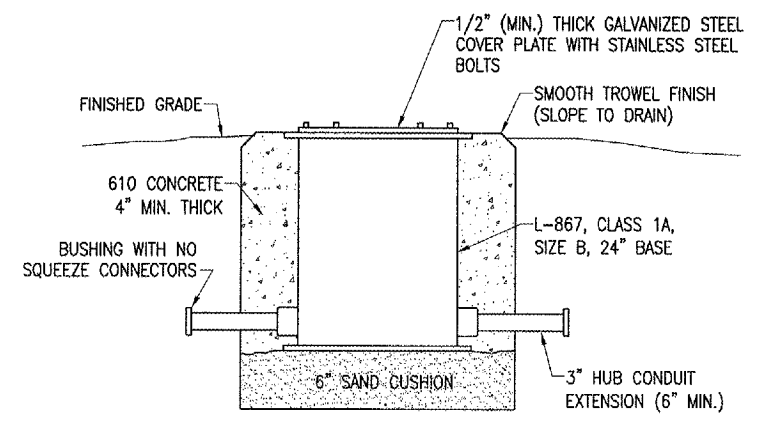


BITUMINOUS PAVEMENT DUCT MARKERS
 "NOT TO SCALE"

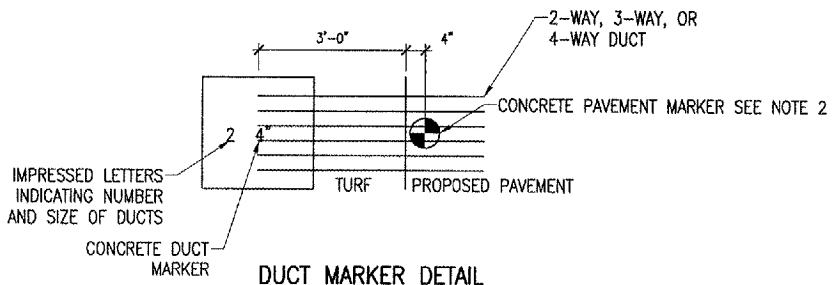
NOTE:
 TOP OF MARKER SHALL BE FLUSH WITH FINISHED PAVEMENT SURFACE. MARKER WILL BE INSTALLED IN A DRILLED HOLE AND SECURED WITH EPOXY GLUE.



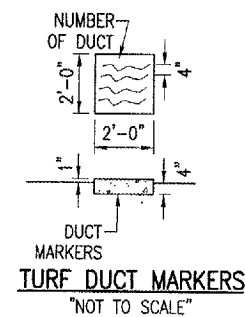
UNDERGROUND ELECTRICAL DUCT
 (NOT TO SCALE)



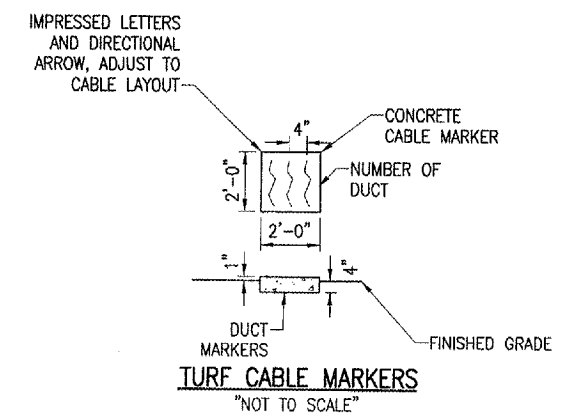
SPLICE CAN DETAIL
 (NOT TO SCALE)
 INCLUDE INTERNAL AND EXTERNAL GROUND LUGS



DUCT MARKER DETAIL
 "NOT TO SCALE"



TURF DUCT MARKERS
 "NOT TO SCALE"



TURF CABLE MARKERS
 "NOT TO SCALE"

JAN 18, 2006 8:14 AM DMV
 L:\AIRPORTS\KEWANEE\810-067XYD\AIRPORT\SHEETS\E-503.DWG - ELECTRICAL DETAILS