

DATE	REVISION

KEWANEE MUNICIPAL AIRPORT  
KEWANEE, HENRY COUNTY, ILLINOIS

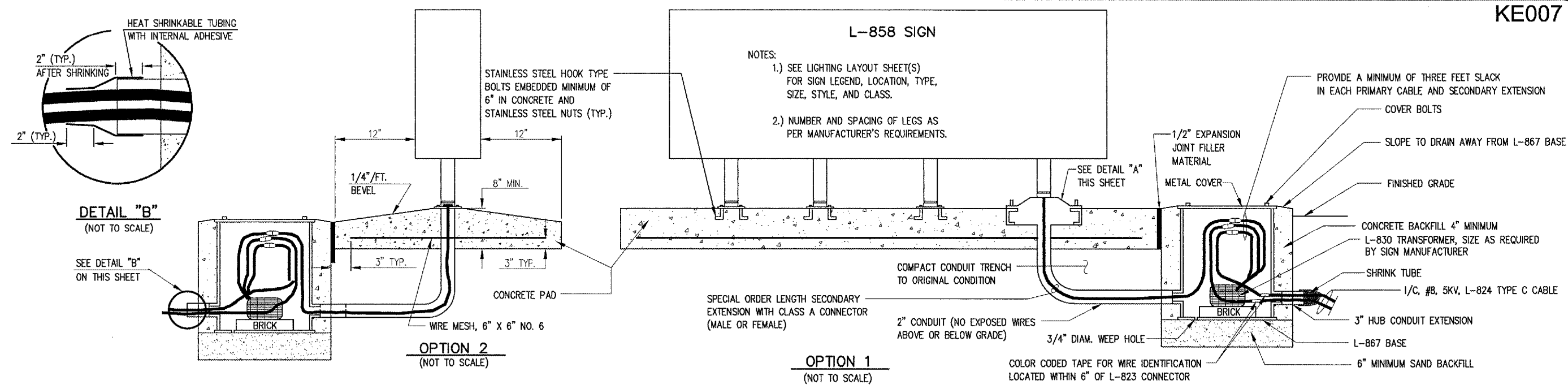
ALP. PROJ.: 3-17-0058-B10  
IL. PROJ.: EZI-3533

Project No.	810-06TXXD_0800
Drawings	R-501ELED.DWG
Scale	N/A
Date	09/02/05
LAYOUT	R.A.W. 09/02/05
DRAWN	B.A.K. 09/02/05
REVIEWED	C.A.H. XX/XX/XX

**HANSON**  
Hanson Professional Services Inc.  
3125 Dandy Trail, Suite 100  
Indianapolis, Indiana 46214  
Offices Nationwide

OVERLAY TXY & APRON  
CONSTRUCT VAULT

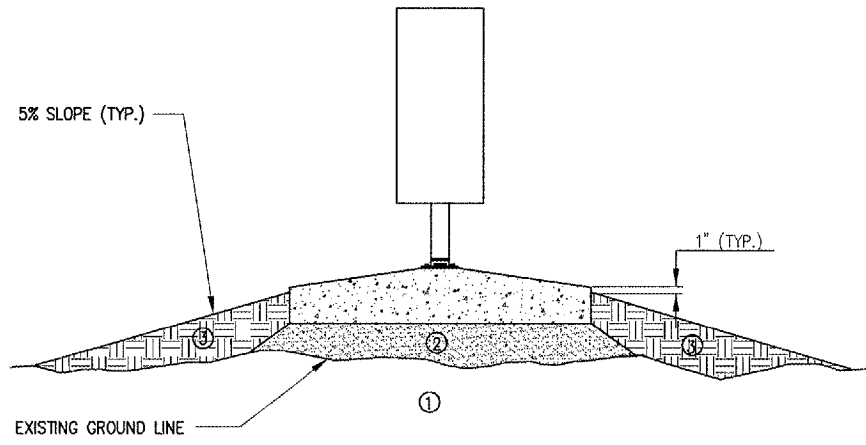
ELECTRICAL DETAILS



**L-858 SIGN**

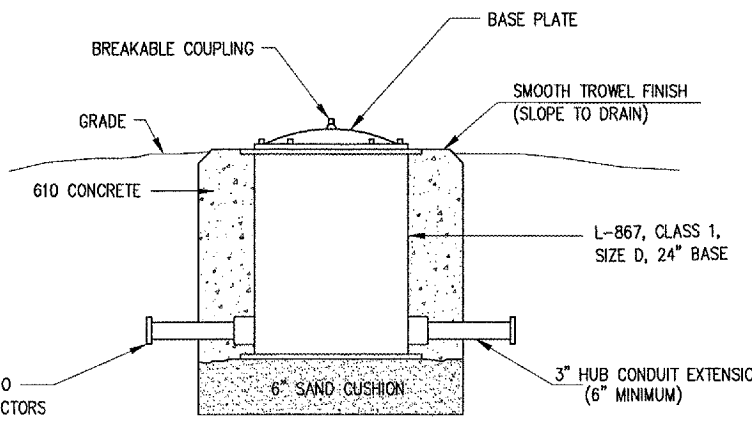
NOTES:  
1.) SEE LIGHTING LAYOUT SHEET(S) FOR SIGN LEGEND, LOCATION, TYPE, SIZE, STYLE, AND CLASS.  
2.) NUMBER AND SPACING OF LEGS AS PER MANUFACTURER'S REQUIREMENTS.

THE LOCATION OF UNDERGROUND UTILITIES AS INDICATED ON THE PLANS HAS BEEN OBTAINED FROM EXISTING RECORDS. NEITHER THE OWNER NOR THE ENGINEER ASSUMES ANY RESPONSIBILITY WHATSOEVER, IN RESPECT TO THE ACCURACY OR SUFFICIENCY OF THE INFORMATION AND THERE IS NO GUARANTEE, EITHER EXPRESSED OR IMPLIED, THAT THE CONDITIONS ARE REPRESENTATIVE OF THOSE TO BE ENCOUNTERED IN THE CONSTRUCTION.

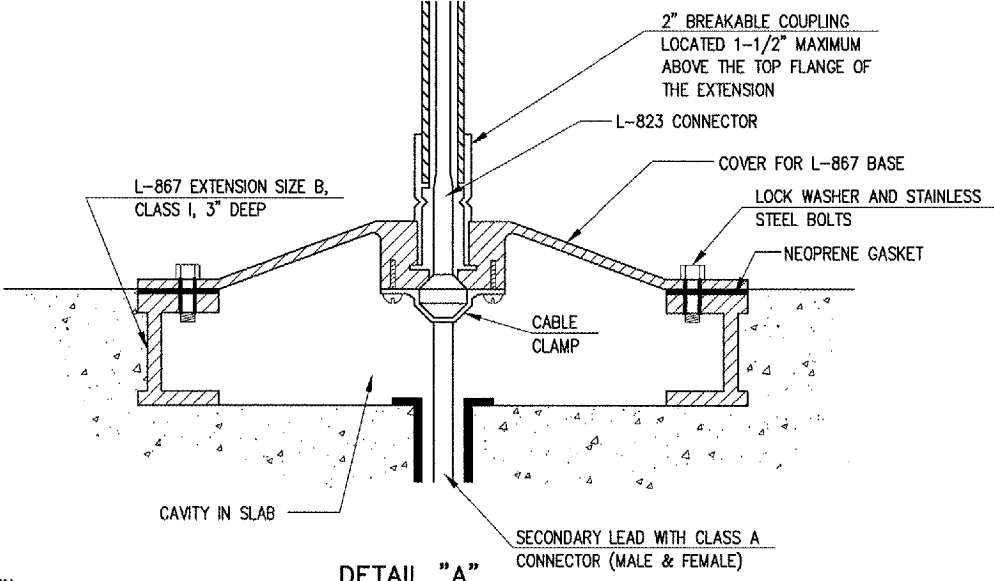


**SIGN DETAIL**  
(NOT TO SCALE)

- ① EXISTING SOD TO BE STRIPPED AND REMOVED
- ② SAND BACKFILL, VARIABLE DEPTH
- ③ PROPOSED TOPSOIL BACKFILL MATERIAL



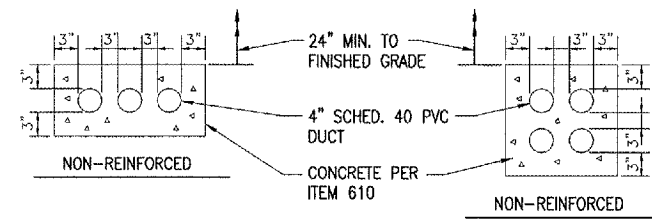
**SPLICE CAN DETAIL**  
(NOT TO SCALE)



**DETAIL "A"**  
(NOT TO SCALE)

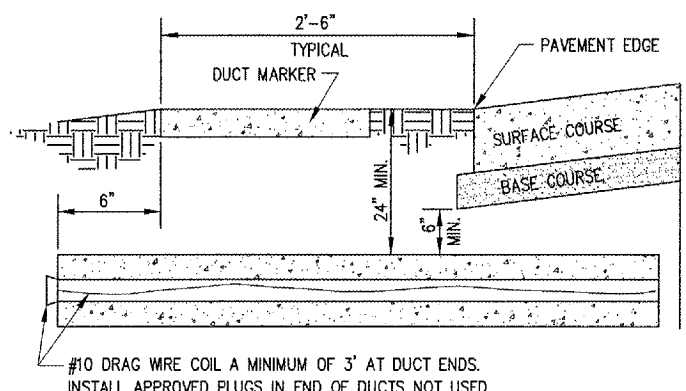
**GENERAL NOTES**

- 1. SEE LIGHTING LAYOUT SHEET FOR SIGN LEGEND, LOCATION, TYPE, SIZE, STYLE, AND CLASS.
- 2. SEE SHEETS 33 THROUGH 34 FOR ELECTRICAL NOTES.



- NOTES:
- 1.) ALL DIMENSIONS ARE MINIMUM.
  - 2.) INCLUDE DUCT SPACERS AS MANUFACTURED BY UNDERGROUND DEVICES INC., TO MAINTAIN PROPER SEPARATION OF CONDUITS.

**CONCRETE ENCASED DUCT DETAIL**  
(3-WAY & 4-WAY SHOWN)



**UNDERGROUND ELECTRICAL DUCT**  
(NOT TO SCALE)

JAN 18, 2006 10:55 PM RAW I:\AIRPORTS\KEWANEE\810-06TXXD\AIRPORT SHEETS\R-501ELED.DWG - ELEC. DETAILS