

SERVICE PANEL "A" SCHEDULE						
CKT #	DUTY	SIZE		SIZE	DUTY	CKT #
1	PANELBOARD B	125A 2P		60A 2P	SURGE PROTECTOR/TVSS	2
3						4
5	RADIO CONTROL & PHOTOCELL	15A 1P		50A 2P	RUNWY 9/27 CCR	6
7	RUNWAY 9 PLASI	20A 1P				8
9	RUNWAY 27 PLASI	20A 1P		80A 2P	TAXIWAY CCR	10
11	WINDCONE & WIND TEE	20A 1P				12
13	AIRPORT ROTATING BEACON	30A 2P		30A 2P	RUNWY 1/19 CCR	14
15						16
17	SPARE	20A 1P		50A 2P	SPARE	18
19	SPARE	20A 1P				20
21	BLANK			80A 2P	SPARE	22
23						24
25				30A 2P	SPARE	26
27						28
29					BLANK	30
31						32
33						34
35						36
37						38
39						40
41						42

400 AMP, 120/240 VAC, 1 PHASE, 3 WIRE, 42 CIRCUIT PANELBOARD WITH 400 AMP, 2 POLE MAIN BREAKER WITH 22,000 AIC AT 240 VAC IN A NEMA 1 ENCLOSURE. INCLUDE SEPARATE GROUND BAR KITS. ALL BRANCH BREAKERS SHALL BE BOLT-ON TYPE WITH 22,000 AIC AT 120/240 VAC. PANELBOARD SHALL BE SQUARE D CAT. NO. NQ0D42L400CU WITH NQ0D4 MAIN BREAKER KIT AND Q4L2400 MAIN BREAKER IN A NEMA 1 ENCLOSURE, OR APPROVED EQUAL.

NOTES

- PANELBOARD BUS SHALL BE COPPER. NEUTRAL BUS SHALL BE COPPER. EQUIPMENT GROUND BARS SHALL BE COPPER. NOTE ONE OF THE EQUIPMENT GROUND BARS SHALL ACCOMMODATE LINE & TAP GROUND WIRES UP TO #1/0 AWG. THE OTHER GROUND BAR SHALL ACCOMMODATE A #1/0 AWG LINE/BONDING JUMPER & TAP GROUND CONDUCTORS FROM #14 AWG TO #6 AWG.
- INCLUDE ENGRAVED PHENOLIC LEGEND PLATE LABELED "SERVICE PANEL A, 120/240 VAC, 1 PHASE, 3 WIRE". INCLUDE ADDITIONAL LEGEND PLATE FOR THE MAIN BREAKER LABELED "SERVICE BREAKER".

PANEL B SCHEDULE						
CKT #	DUTY	SIZE		SIZE	DUTY	CKT #
1	VAULT HEATER EH-1	20A 2P		15A 1P	VAULT FAN	2
3				15A 1P	VAULT INTERIOR LIGHTING	4
5	VAULT HEATER EH-2	15A 2P		20A 1P	VAULT RECEPTACLES	6
7				15A 1P	VAULT EXTERIOR LIGHTING	8
9	SPARE	15A 1P			BLANK	10
11	SPARE	15A 1P			BLANK	12
13	SPARE	20A 1P			BLANK	14
15	SPARE	20A 1P			BLANK	16
17	BLANK				BLANK	18
19	BLANK				BLANK	20
21	BLANK				BLANK	22
23	BLANK				BLANK	24
25	BLANK				BLANK	26
27	BLANK				BLANK	28
29	BLANK				BLANK	30

225 AMP, 120/240 VAC, 1 PHASE, 3 WIRE, 30 CIRCUIT PANELBOARD WITH MAIN LUGS IN A NEMA 1 ENCLOSURE. INCLUDE SEPARATE GROUND BAR KITS. ALL BRANCH BREAKERS SHALL BE BOLT-ON TYPE WITH 22,000 AIC AT 120/240 VAC. PANELBOARD SHALL BE SQUARE D CAT. NO. NQ0D30L225CU OR APPROVED EQUAL.

NOTES

- PANELBOARD BUS SHALL BE COPPER. NEUTRAL BUS SHALL BE COPPER. EQUIPMENT GROUND BARS SHALL BE COPPER.
- INCLUDE ENGRAVED PHENOLIC LEGEND PLATE LABELED "PANEL B, 120/240 VAC, 1 PHASE, 3 WIRE, FED FROM SERVICE PANEL A".

DATE	REVISION	BY

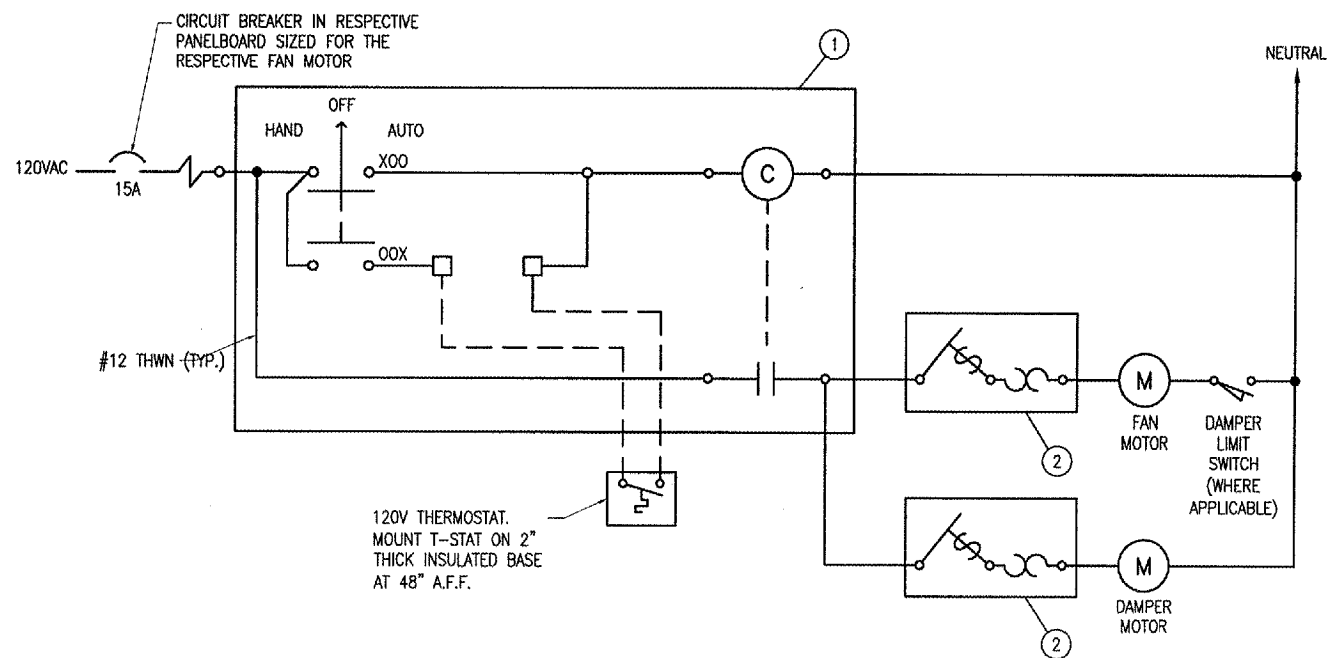
KEWANEE MUNICIPAL AIRPORT
KEWANEE, HENRY COUNTY, ILLINOIS

IL PROJ.: E2I-3533 A.I.P. PROJ.: 3-17-0058-B10

HEL Project No. 810-06TXD 0800	HEL Project No. 810-06TXD 0800	LAYOUT	KNL	09/23/05
Filename E-608.DWG	Filename E-608.DWG	DRAWN	MV	09/27/05
Scale NONE	Scale NONE	REVIEWED	LDP	01/17/06
Date 04/22/05	Date 04/22/05			

HANSON
Hanson Professional Services, Inc.
3125 Dancy Trail, Suite 100
Indianapolis, Indiana 46214
Offices Nationwide

OVERLAY TXY & APRON
CONSTRUCT VAULT
PANEL SCHEDULES
& DETAILS



EXHAUST FAN CONTROL SCHEMATIC

NOTES FOR FAN CONTROL SCHEMATIC

- GROUND WIRES REQUIRED BUT NOT SHOWN FOR CLARITY.
- ALL WIRING SHALL BE #12 THWN MINIMUM.
- PROVIDE A NEMA 1 ENCLOSURE SIZED TO INSTALL THE CONTACTOR, HOA SELECTOR SWITCH & TERMINALS. PROVIDE LEGEND PLATE FOR THE CONTACTOR AND FRACTIONAL HP MOTOR STARTER IDENTIFYING THE LOAD SERVED AND THE POWER SOURCE.
- VERIFY MOTOR HORSEPOWERS AND FULL LOAD AMPS WITH THE RESPECTIVE MANUFACTURER. CONTRACTOR SHALL COORDINATE MOTOR CIRCUIT BREAKER, CONTACTOR, FRACTIONAL HP STARTER, OVERLOADS, WIRE SIZES, CONDUIT SIZES, ETC. FOR THE RESPECTIVE EQUIPMENT FURNISHED, PER NEC & MANUFACTURER'S RECOMMENDATIONS. COORDINATE FAN & LOUVER INSTALLATION WITH BUILDING MFR.
- INTAKE LOUVERS SHALL OPEN AND EXHAUST FAN SHALL OPERATE WHEN SPACE TEMP EXCEEDS 85°F (ADJUSTABLE). EXHAUST FAN SHALL OPERATE ONLY WHEN DAMPER HAS PROVED "OPEN". IN MANUAL MODE DAMPER SHALL REMAIN OPEN AND FAN SHALL RUN CONTINUOUSLY.

LEGEND

- 120VAC, NEMA SIZE 0 (MINIMUM), 1 POLE, FULL VOLTAGE CONTACTOR IN A NEMA 1 ENCLOSURE, SQUARE D CLASS 8502, TYPE SBG5V02 OR APPROVED EQUAL. INCLUDE H-O-A SELECTOR SWITCH WITH EACH CONTACTOR.
- FRACTIONAL HORSEPOWER MOTOR MANUAL STARTER, SQUARE D MANUAL STARTER WITH HANDLE/GUARD/LOCK OFF, IN NEMA 1 ENCLOSURE CLASS 2510, TYPE FG5 OR APPROVED EQUAL. INCLUDE MELTING ALLOY TYPE THERMAL OVERLOADS SIZED AS REQUIRED TO PROTECT THE RESPECTIVE MOTOR. 120VAC MOTORS SHALL HAVE SINGLE POLE STARTERS.

JAN 16, 2006 9:47 AM DMV
I:\AIRPORTS\KEWANEE\810-06TXD\AIRPORT\ SHEETS\E-608.DWG - Layout1