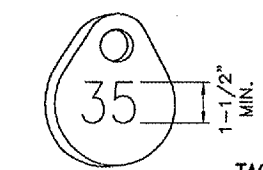
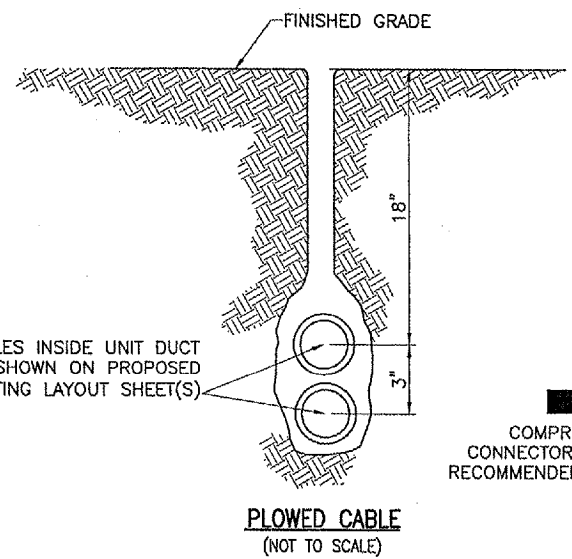
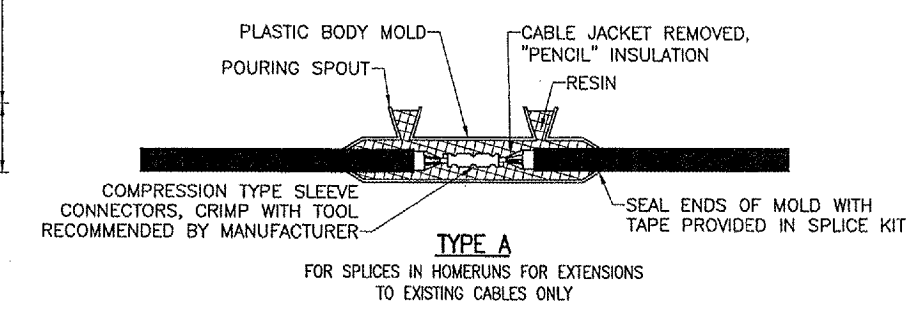


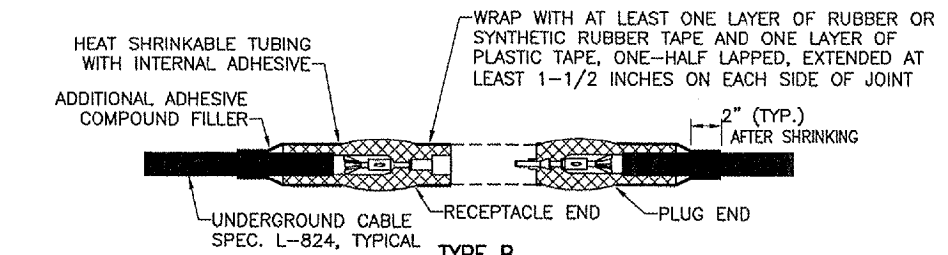
NOTES:
 DETAIL NUMBERS INDICATE NO. OF CABLES, (OR UNIT DUCTS).
 TRENCHES WITH MORE THAN SEVEN CABLES SHALL BE INCREASED 3" IN WIDTH FOR EACH ADDITIONAL CABLE; IF SPECIFIED ON PLANS TWO PARALLEL TRENCHES MAY BE CONSTRUCTED.
 DEPTH OF TRENCHES SHALL BE AS SHOWN ABOVE UNLESS OTHERWISE SPECIFIED ON THE PLANS.
 ALL DISTURBED SURFACES SHALL BE RESTORED TO THEIR ORIGINAL CONDITION. COST IS INCIDENTAL TO TRENCH.



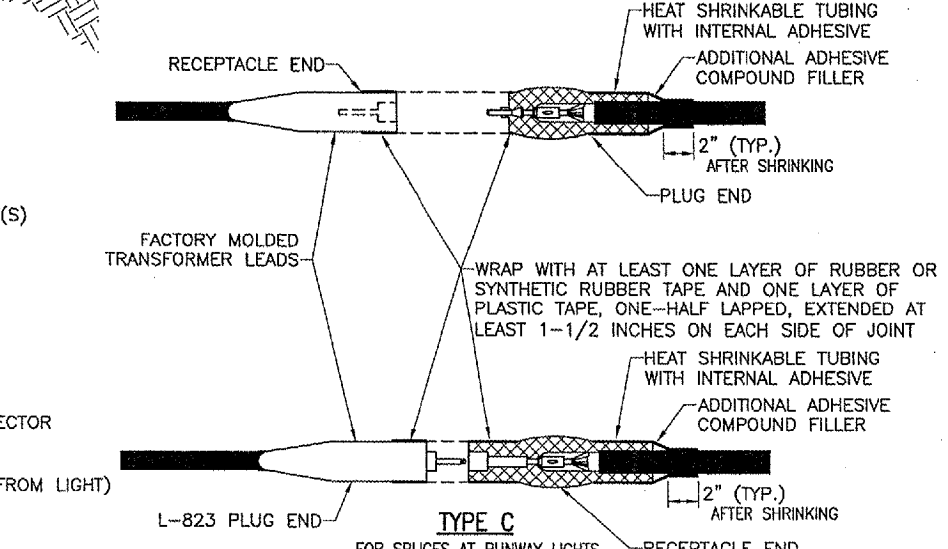
NOTE:
 AFFIX NON-CORROSIVE TAG TO FIXTURE FACING RUNWAY WITH SET SCREW, WIRE TIE, OR METAL BAND. NUMERALS SHALL BE ENGRAVED FOR PERMANENT READABILITY.



TYPE A
 FOR SPLICES IN HOMERUNS FOR EXTENSIONS TO EXISTING CABLES ONLY



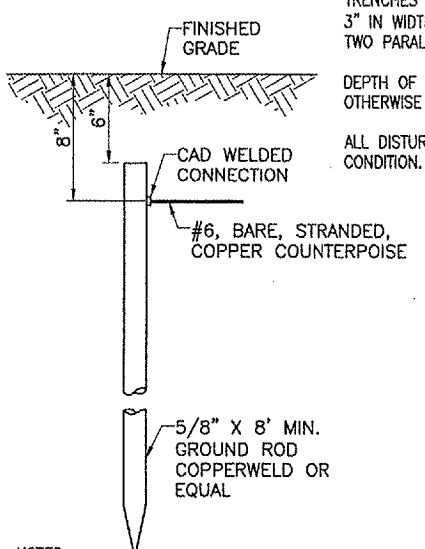
TYPE B
 FOR SPLICES AT JUNCTION OF HOMERUN WITH LOOP CIRCUIT



TYPE C
 FOR SPLICES AT RUNWAY LIGHTS

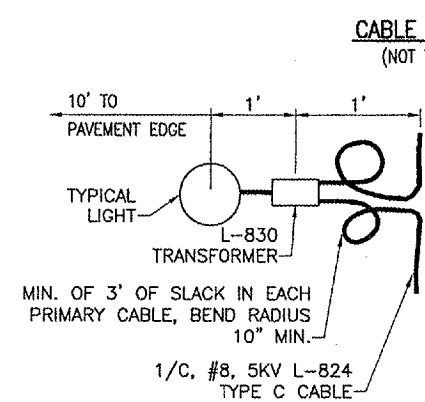
NOTES:
 SEE PROPOSED LIGHTING LAYOUT SHEET(S) FOR SPLICE TYPE.
 INSIDE DIAMETER OF CONNECTOR SHALL PROPERLY MATCH THE OUTSIDE DIAMETER OF CABLE.

CABLE SPLICES
 (NOT TO SCALE)

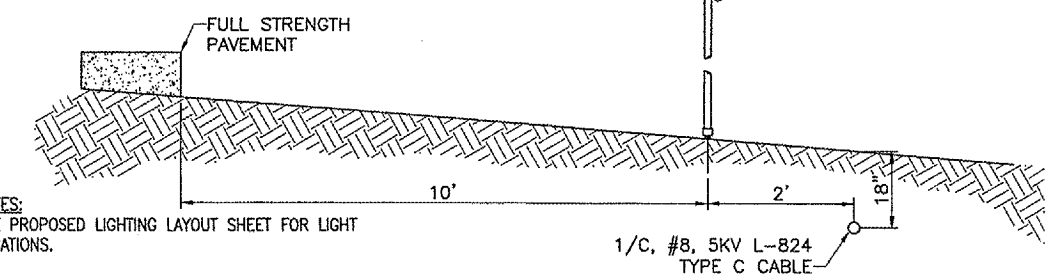


NOTES:
 TYPE AND MINIMUM NUMBER OF GROUND RODS SHALL BE AS SPECIFIED ON THE PLAN.
 THE RESISTANCE TO GROUND OF THE COUNTERPOISE GROUNDING SYSTEM SHALL NOT EXCEED 25 OHMS.
 COST OF GROUND RODS IS INCIDENTAL TO THE ASSOCIATED ITEMS REQUIRING GROUNDING UNLESS OTHERWISE SPECIFIED.

GROUND ROD
 (NOT TO SCALE)

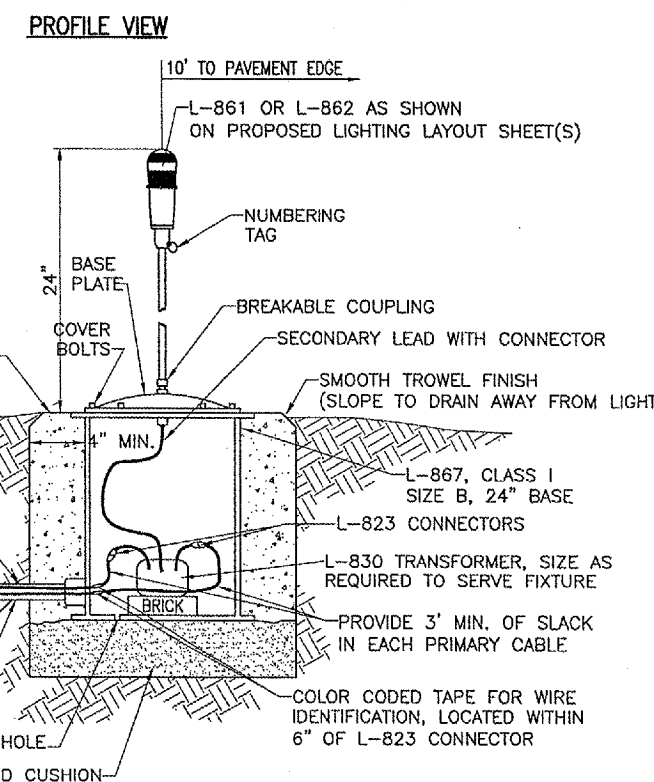


CABLE TRENCHES
 (NOT TO SCALE)

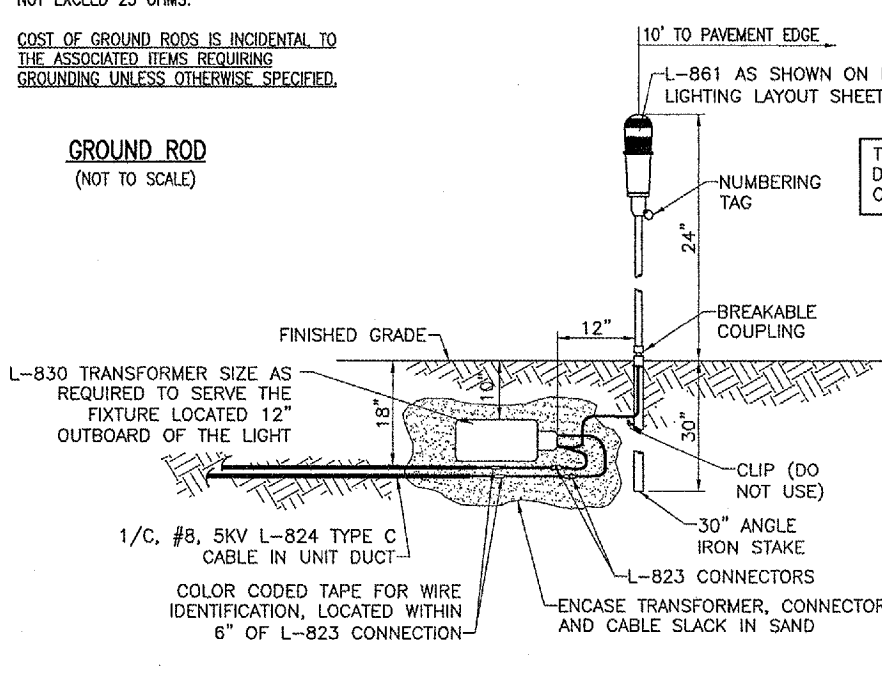


NOTES:
 SEE PROPOSED LIGHTING LAYOUT SHEET FOR LIGHT LOCATIONS.

LIGHT AND CABLE INSTALLATION DETAIL
 (NOT TO SCALE)



EXISTING MEDIUM/HIGH INTENSITY LIGHT - BASE MOUNTED
 (NOT TO SCALE)



EXISTING MEDIUM INTENSITY LIGHT - STAKE MOUNTED
 (NOT TO SCALE)

BY	
REVISION	
DATE	
METROPOLIS MUNICIPAL AIRPORT METROPOLIS, ILLINOIS	
ILL. Project No. 816-06/17D-0800 Drawing No. R-542ELE.DWG Scale N/A Date 11/15/05	A.I.P. PROJ.: 3-17-0067-88 I.L. PROJ.: M30-3541
LAYOUT	11/15/05
DRAWN	11/15/05
REVIEWED	12/16/05
Hanson Professional Services Inc. 1525 South Sixth Street Springfield, Illinois 62703-2885 Offices Nationwide	
CONSTRUCT NEW VAULT ELECTRICAL DETAILS SHEET 3	
20 20 of 22 sheets	

JAN 19, 2006 9:25 AM BKB
 I:\AIRPORTS\METROPOLIS\816-06\17D\AIRPORT SHEETS\R-542ELE.DWG - Layout1