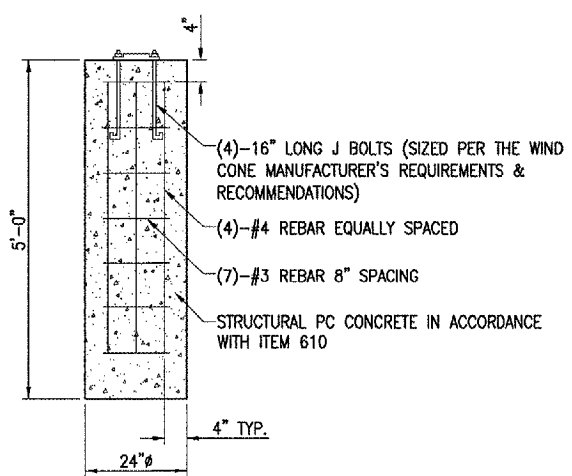
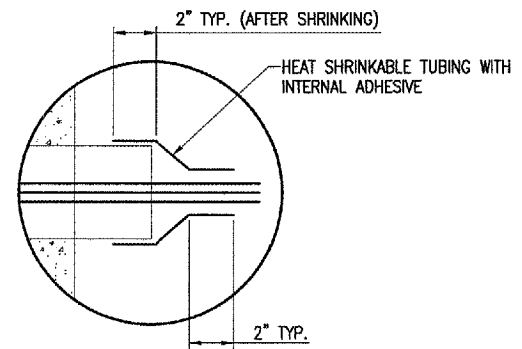


EXTERNALLY LIGHTED L-806 WIND CONE
(NOT TO SCALE)

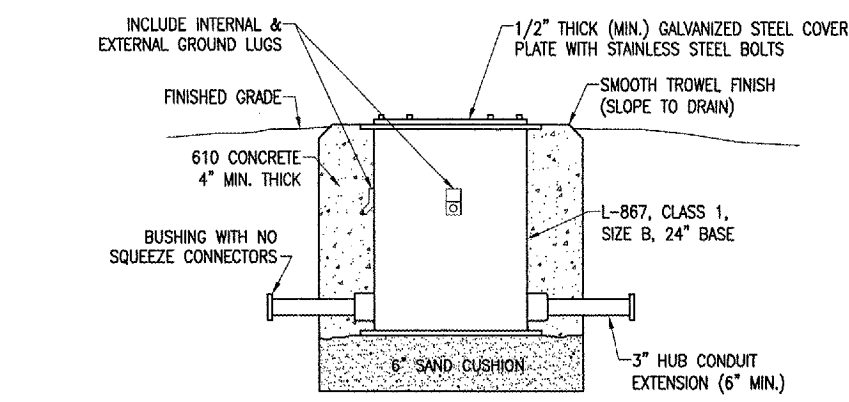
NOTE: WIND CONE SHALL ALSO INCLUDE INTERNAL LIGHTING OPTION.



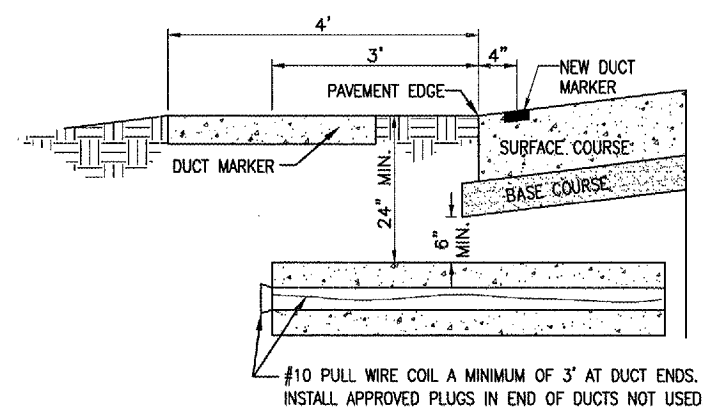
ANCHORING DETAIL
(NOT TO SCALE)



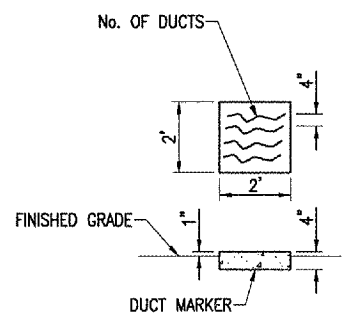
DETAIL "A"
(NOT TO SCALE)



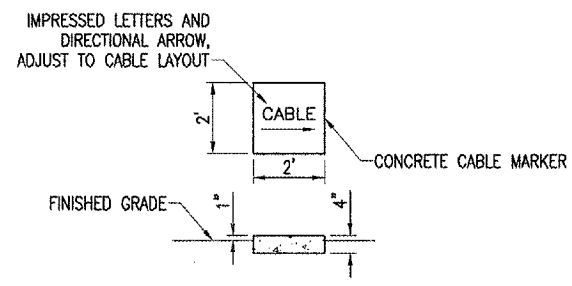
SPLICE CAN DETAIL
(NOT TO SCALE)



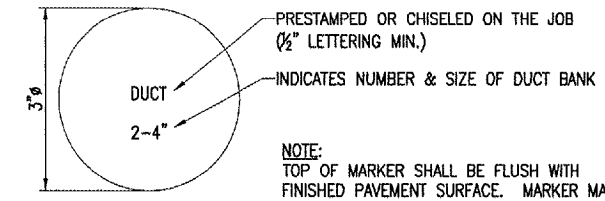
UNDERGROUND ELECTRICAL DUCT
(NOT TO SCALE)



TURF DUCT MARKERS
"NOT TO SCALE"

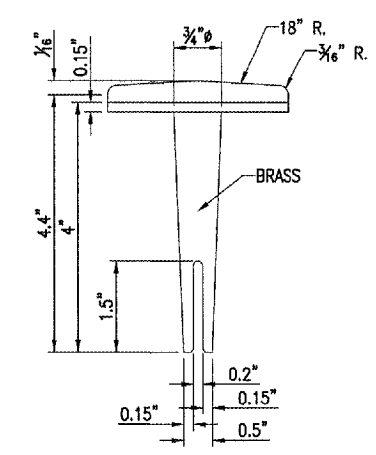


TURF CABLE MARKERS
"NOT TO SCALE"



TOP VIEW

NOTE: TOP OF MARKER SHALL BE FLUSH WITH FINISHED PAVEMENT SURFACE. MARKER MAY BE INSTALLED IN A DRILLED HOLE AND SECURED WITH EPOXY GLUE.



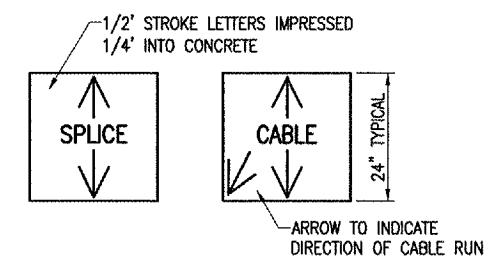
2-DUCT BANK
(NOT TO SCALE)

NOTE: THE COST OF ALL TURF AND PAVEMENT DUCT MARKERS SHALL BE INCIDENTAL TO THE DUCT. THE COST OF ALL CABLE MARKERS SHALL BE INCIDENTAL TO THE CABLE.

BITUMINOUS PAVEMENT DUCT MARKER AND CONCRETE DUCT MARKER TO BE PROVIDED AT EACH END OF EACH DUCT AS SHOWN ON THE LOCATION PLAN. FOR CONCRETE PAVEMENT, THE LETTER "D" SHALL BE IMPRESSED IN THE PAVEMENT INSTEAD OF THE MARKER. THE LETTER SHALL BE INFORMED AS DESCRIBED IN NOTE 4.

CABLE MARKERS SHALL BE PLACED AT CHANGES OF DIRECTION AND EVERY 200' ALONG CABLE RUNS.

LETTERS 4" HIGH, 3" WIDE WITH WIDTH OF STROKE 1/2" AND 1/4" DEEP. ALL LETTERS, NUMBERS AND ARROWS TO BE IMPRESSED.



PLAN VIEWS

MARKER NOTES

CABLE/SPLICE MARKERS SHALL BE PRECAST CONCRETE OF THE SIZE SHOWN. LETTERS/NUMBERS/ARROWS FOR THE LEGEND TO BE IMPRESSED INTO THE TOPS OF THE MARKERS SHALL BE PRE-ASSEMBLED AND SECURED IN THE MOLD BEFORE THE CONCRETE IS POURED. LEGEND INSCRIBED BY HAND IN WET CONCRETE SHALL NOT BE ACCEPTABLE.

ALL UNDERGROUND CABLE RUNS SHALL BE IDENTIFIED BY CABLE MARKERS AT 200 FEET MAXIMUM SPACING, WITH AN ADDITIONAL MARKER AT EACH CHANGE OF DIRECTION OF THE CABLE RUN. CABLE MARKERS SHALL BE INSTALLED IMMEDIATELY ABOVE THE CABLE.

LOCATIONS OF ALL UNDERGROUND CABLE SPLICES/CONNECTIONS, EXCEPT THOSE AT ISOLATION TRANSFORMERS, SHALL BE IDENTIFIED BY MARKERS. SPLICE MARKERS SHALL BE PLACED IMMEDIATELY ABOVE THE SPLICE/CONNECTIONS.

MARKERS SHALL BE PLACED WHERE SHOWN ON PLANS AND ELECTRICAL NOTES.

COST OF CONCRETE MARKERS IS INCIDENTAL TO THE CABLE.

BY	
REVISION	
DATE	

MT. VERNON AIRPORT

 MT. VERNON, ILLINOIS
 I.L. PROJ.: MVN-3539 A.I.P. PROJ.: 3-17-0074-B12

HEL Project No.	819-06RWYD	DATE	08/16/05
Filename	R-541ELE.DWG	DATE	08/16/05
Scale	N/A	DATE	08/16/05
Date	08/16/05	DATE	12/12/05
LAYOUT	CCC	DATE	08/16/05
DRAWN	CCC	DATE	08/16/05
REVIEWED	RAW	DATE	12/12/05

HANSON
 Hanson Professional Services Inc.
 1525 South Sixth Street
 Springfield, Illinois 62703-2888
 Offices Nationwide

RUNWAY 15-33
 P.F.C. OVERLAY
 WIND CONE &
 ELECTRICAL DETAILS

JAN 19, 2006 8:32 PM RAW
 I:\AIRPORTS\MVERNON\919-06RWYD\AIRPORT\SHEETS\R-541ELE.DWG - ELEC. DETAILS 1