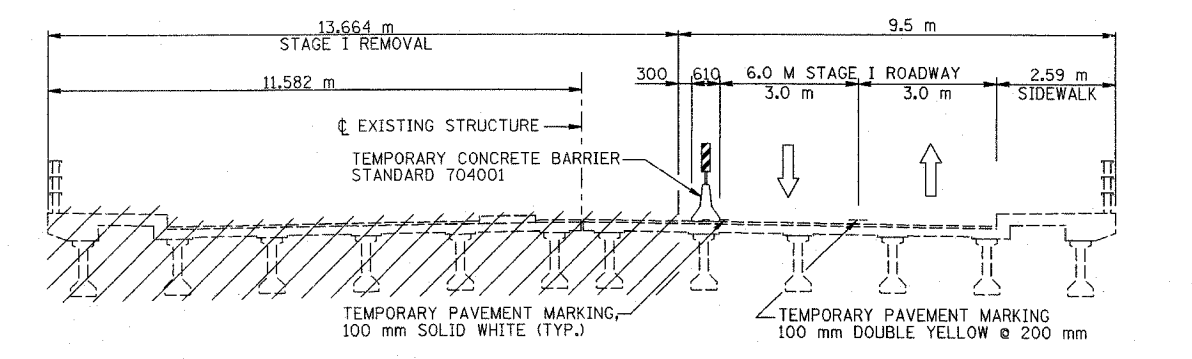
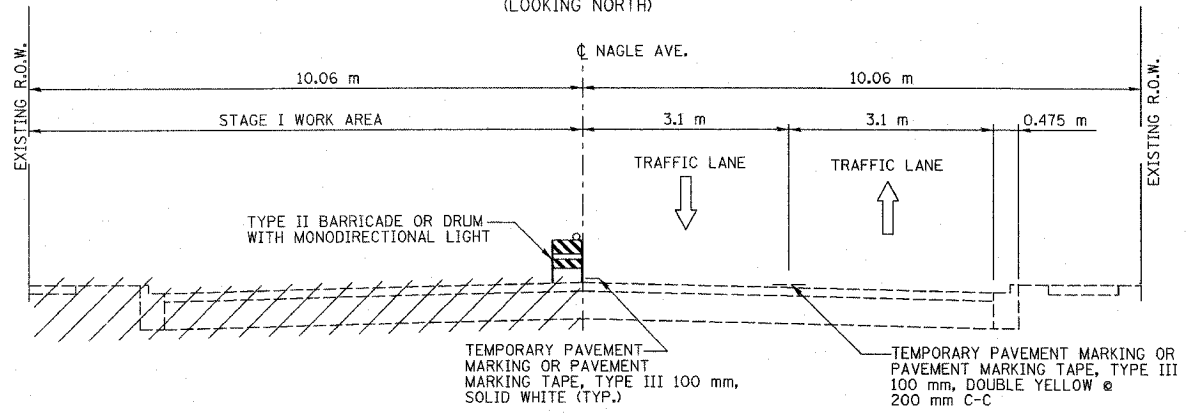


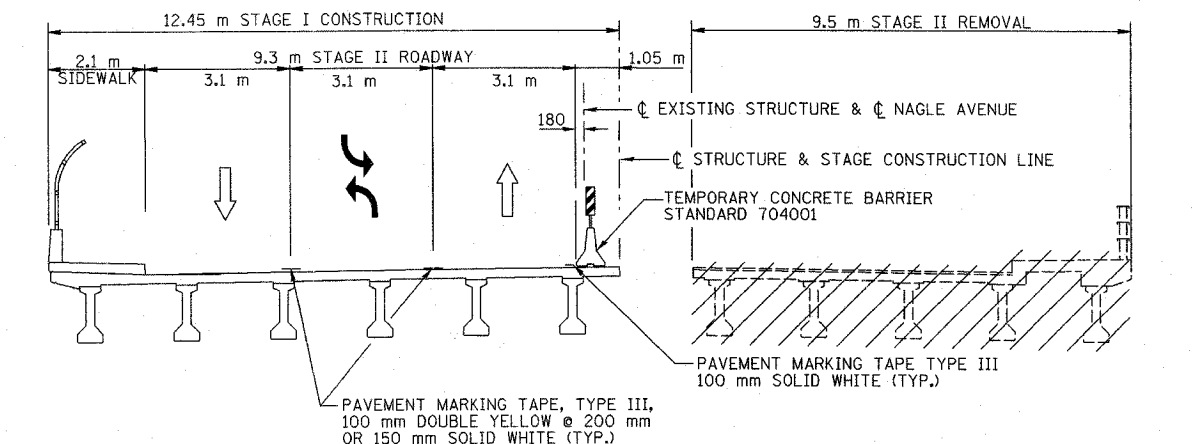
FAI RTE.	SECTION	COUNTY	TOTAL SHEETS	SHEET NO.
90	1314B	COOK	160	23
FED. ROAD DIST. NO.		ILLINOIS FED. AID PROJECT		CONTRACT 60293



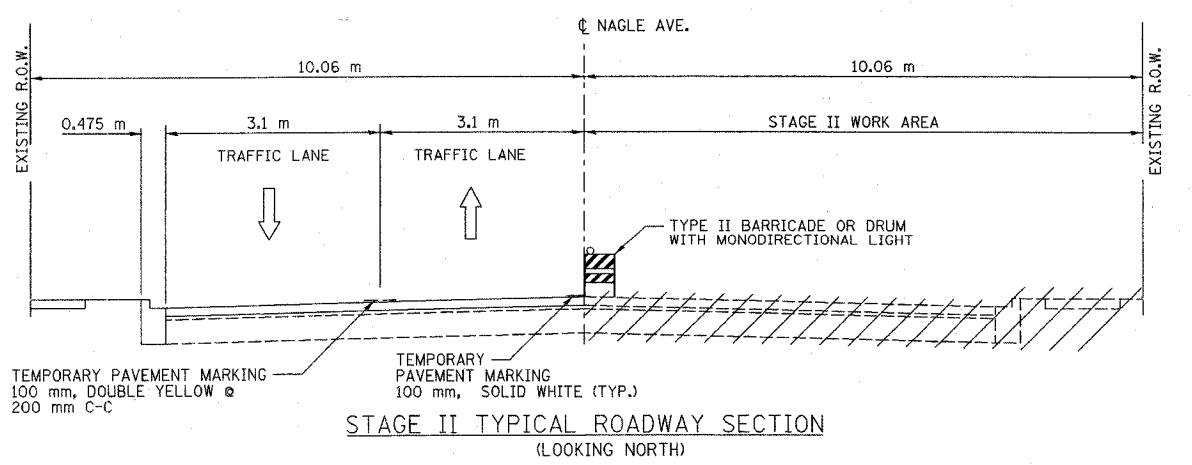
STAGE I BRIDGE TYPICAL SECTION
(LOOKING NORTH)



STAGE I TYPICAL ROADWAY SECTION
(LOOKING NORTH)



STAGE II BRIDGE TYPICAL SECTION
(LOOKING NORTH)



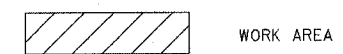
STAGE II TYPICAL ROADWAY SECTION
(LOOKING NORTH)

MAINTENANCE OF TRAFFIC CONSTRUCTION STAGING
STAGE I

1. CLOSE DOWN WEST HALF OF NAGLE AVENUE ROADWAY AND BRIDGE BY SHIFTING TRAFFIC TO THE EAST SIDE OF NAGLE AVENUE. REMOVE MEDIAN AND INSTALL TEMPORARY CONCRETE BARRIER ACROSS BRIDGE AND IMPACT ATTENUATORS ON THE EAST PORTION OF THE BRIDGE DECK. REMOVE EXISTING PAVEMENT MARKINGS AND INSTALL TEMPORARY PAVEMENT MARKINGS. INSTALL AND ACTIVATE TEMPORARY TRAFFIC SIGNALS AT GREGORY AVENUE AND BRYN MAWR AVENUE INTERSECTIONS.
2. MAINTAIN EAST SIDE OF BRIDGE TO CARRY ONE LANE OF TRAFFIC IN EACH DIRECTION AND A SIDEWALK.
3. REMOVE AND RECONSTRUCT WEST SIDE OF BRIDGE AND BRIDGE APPROACH PAVEMENT. REMOVE AND RECONSTRUCT WEST SIDE OF ROADWAY, INCLUDING CONCRETE SIDEWALK, CURB AND GUTTER, AND PCC BASE COURSE, AND PCC DRIVEWAYS. CONSTRUCT PAVEMENT WIDENING AND RESURFACE ROADWAY WITH BITUMINOUS BINDER AND SURFACE COURSE ALONG THE WEST PORTION OF THE PROJECT.

STAGE II

1. RELOCATE TEMPORARY CONCRETE BARRIERS AND IMPACT ATTENUATORS TO THE WEST PORTION OF THE NEW BRIDGE DECK. REMOVE STAGE ONE TEMPORARY PAVEMENT MARKINGS AND INSTALL STAGE TWO TEMPORARY PAVEMENT MARKINGS AND ALL TRAFFIC CONTROL ITEMS REQUIRED TO CLOSE THE EAST SIDE OF NAGLE AVENUE ROADWAY AND BRIDGE.
2. SHIFT TRAFFIC TO THE WEST SIDE OF BRIDGE. MAINTAIN ONE SIDEWALK AND ONE LANE OF TRAFFIC IN EACH DIRECTION PLUS A DUAL TURNING LANE ACROSS THE BRIDGE. PREPARE INBOUND EXIT RAMP FOR RETAINING WALL CONSTRUCTION.
3. REMOVE AND RECONSTRUCT EAST SIDE OF BRIDGE AND BRIDGE APPROACH PAVEMENT. REMOVE AND RECONSTRUCT EAST SIDE OF ROADWAY, INCLUDING CONCRETE SIDEWALK, CURB AND GUTTER, AND PCC BASE COURSE. CONSTRUCT PAVEMENT WIDENING AND AND RESURFACE ROADWAY WITH BITUMINOUS BINDER AND SURFACE COURSE ALONG THE EAST PORTION OF THE PROJECT. CONSTRUCT NEW RETAINING WALL.
4. INSTALL PERMANENT TRAFFIC SIGNALS AT GREGORY AVENUE AND BRYN MAWR AVENUE INTERSECTIONS. REMOVE TEMPORARY CONCRETE BARRIER AND IMPACT ATTENUATORS AND REMOVE TEMPORARY PAVEMENT MARKINGS. INSTALL FINAL PAVEMENT MARKINGS AND REOPEN TRAFFIC IN ALL LANES.



NOTES:

1. THE CONTRACTOR SHALL MAINTAIN A MINIMUM 3.0 m CLEAR ROADWAY WIDTH IN EACH DIRECTION FOR TWO-WAY TRAFFIC FLOW AND A MINIMUM 3.0 m WIDE LEFT TURN LANE AT LOCATIONS SHOWN THROUGHOUT THE DURATION OF THE CONTRACT. INGRESS AND EGRESS TO DRIVEWAYS AND SIDE STREETS SHALL BE MAINTAINED AS SHOWN ON THE PLANS AND/OR AS DIRECTED BY THE ENGINEER.
2. THE CONTRACTOR SHALL BE REQUIRED TO REMOVE ALL EXISTING PAVEMENT MARKINGS WHICH CONFLICT WITH THE DESIGNATED TRAFFIC CONTROL PLAN.
3. FOR TEMPORARY PAVEMENT MARKING LOCATION, TYPE AND DETAILS, SEE SUGGESTED STAGES OF CONSTRUCTION AND TRAFFIC CONTROL PLANS.

REVISIONS	
NAME	DATE

ILLINOIS DEPARTMENT OF TRANSPORTATION
SUGGESTED STAGES OF CONSTRUCTION AND TRAFFIC CONTROL TYPICAL SECTIONS
F.A.I. 90 (I-90) AT NAGLE AVENUE
DATE: DECEMBER 2004
DRAWN BY: ML, DR, FD
CHECKED BY: JMH, MDK

COLLINS ENGINEERS
123 N. WACKER DR., SUITE 300
CHICAGO, IL 60606
(312) 704-9300
ILLINOIS PROFESSIONAL DESIGN FIRM
LICENSE NO. 184-000993

FILE: G:\2724\CIVIL\EXHIBIT\NAGLE\272407.dgn