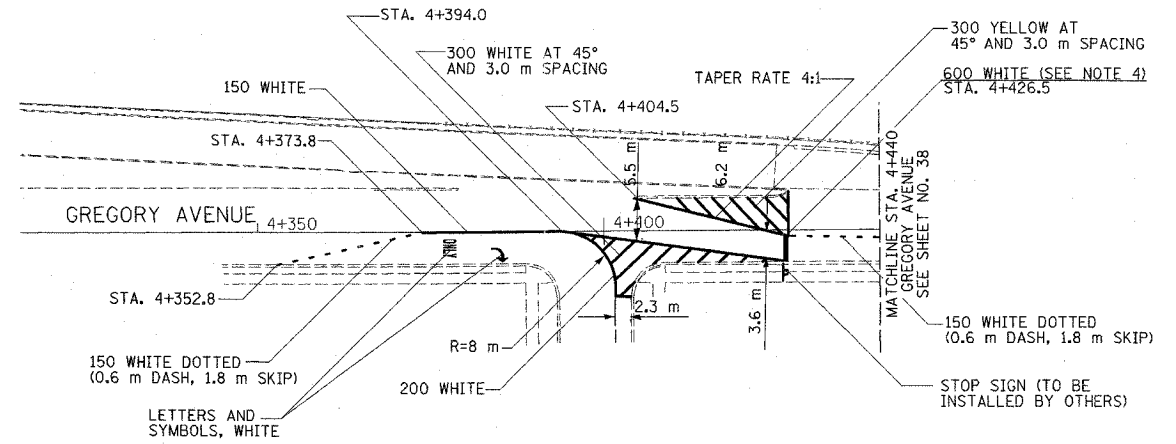
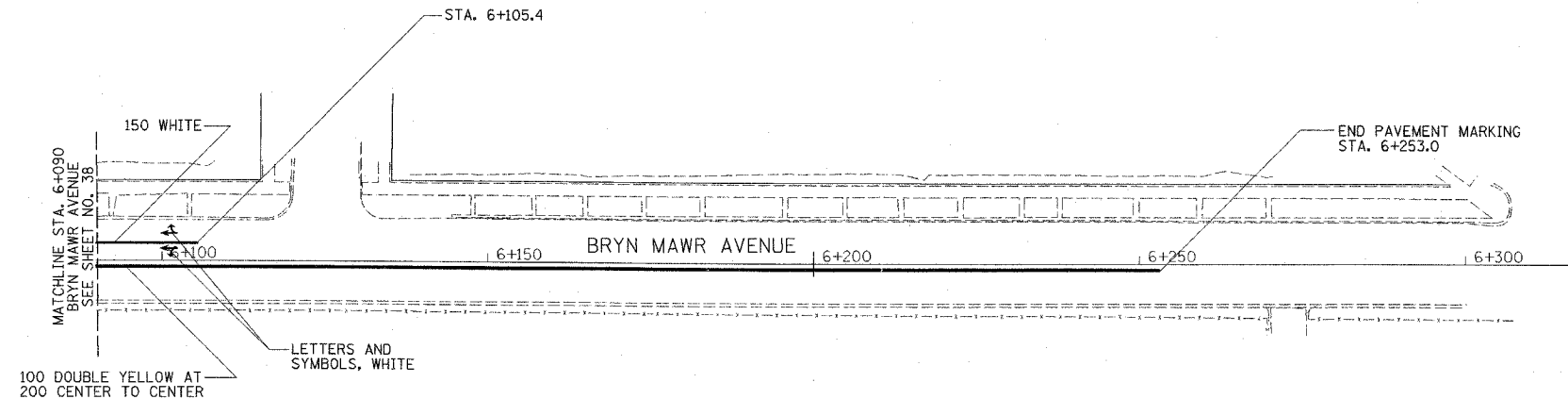


FAI RTE.	SECTION	COUNTY	TOTAL SHEETS	SHEET NO.
90	1314B	COOK	160	39
FED. ROAD DIST. NO.		ILLINOIS FED. AID PROJECT		
CONTRACT 60293				



NOTES:

- PAVEMENT MARKINGS INSTALLED ON CONCRETE BRIDGE AND APPROACH PAVEMENT SURFACES SHALL BE PREFORMED PLASTIC, TYPE B FOR LINES AND TYPE C FOR LETTERS AND SYMBOLS. PAVEMENT MARKINGS INSTALLED ON BITUMINOUS SURFACE SHALL BE THERMOPLASTIC.
- ALL EXISTING PAVEMENT MARKINGS REMOVED FOR CONSTRUCTION STAGING BEYOND THE PROJECT LIMITS SHALL BE REPLACED AS PER NOTE 1 ABOVE OR AS DIRECTED BY THE ENGINEER.
- ALL PAVEMENT MARKINGS SHALL CONFORM TO THE MANUAL ON UNIFORM TRAFFIC CONTROL DEVICES AND CITY OF CHICAGO TYPICAL PAVEMENT MARKINGS STANDARD, TC-24.
- STOP BAR IS NOT TO BE INSTALLED UNTIL STOP SIGN IS IN PLACE.

REVISIONS	
NAME	DATE

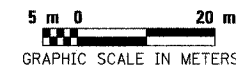
ILLINOIS DEPARTMENT OF TRANSPORTATION

PAVEMENT MARKING PLAN
GREGORY AVENUE
AND BRYN MAWR AVENUE

DRAWN BY: ML, DR, FD

DATE: DECEMBER 2004

CHECKED BY: JMH, MDK



COLLINS ENGINEERS
123 N. WACKER DR., SUITE 300
CHICAGO, IL 60606
(312) 704-9300
ILLINOIS PROFESSIONAL DESIGN FIRM
LICENSE NO. 184-000993

FILE: G:\2724\CIVIL\EXHIBIT\NAGLE\2724037.dgn