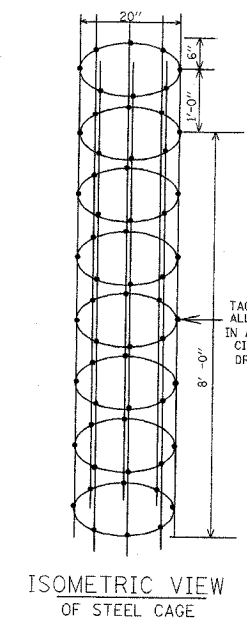
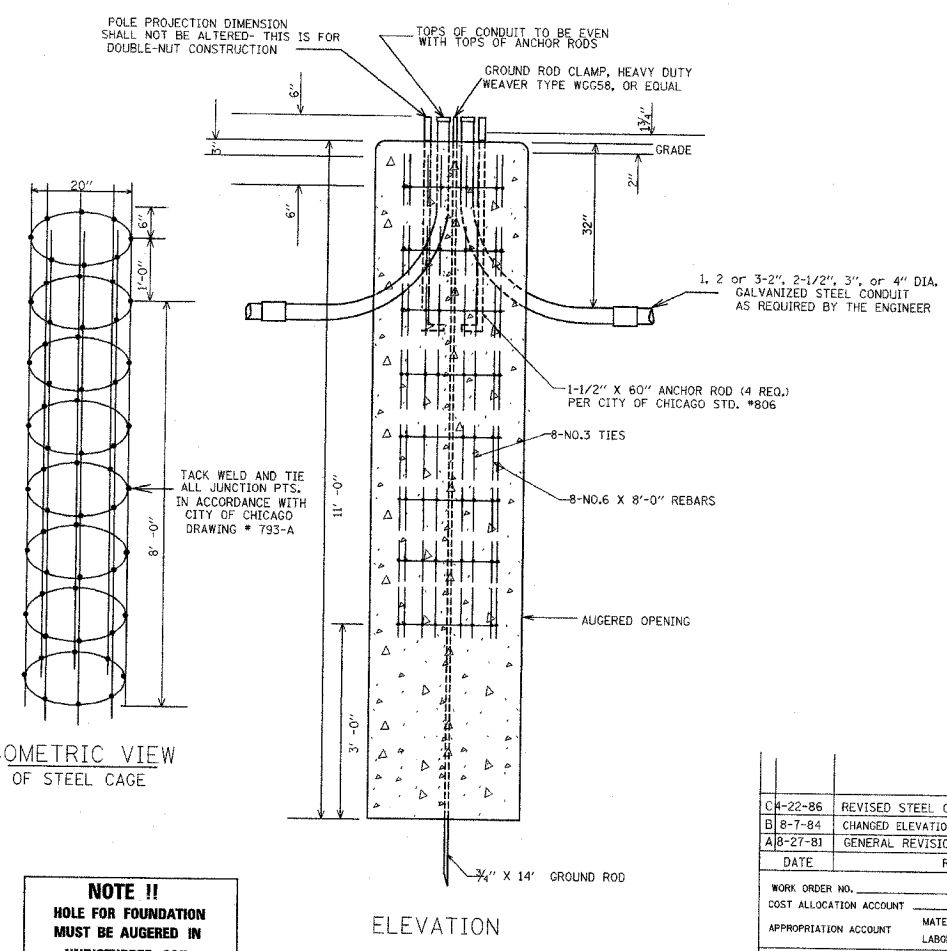
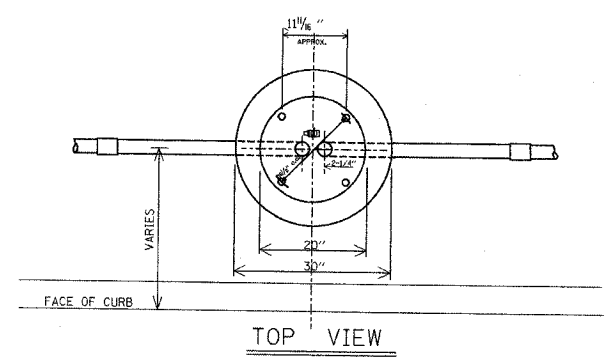


60293

FAI RTE.	SECTION	COUNTY	TOTAL SHEETS	SHEET NO.
90	1314B	COOK	160	49
FED. ROAD DIST. NO.			ILLINOIS FED. AID PROJECT	

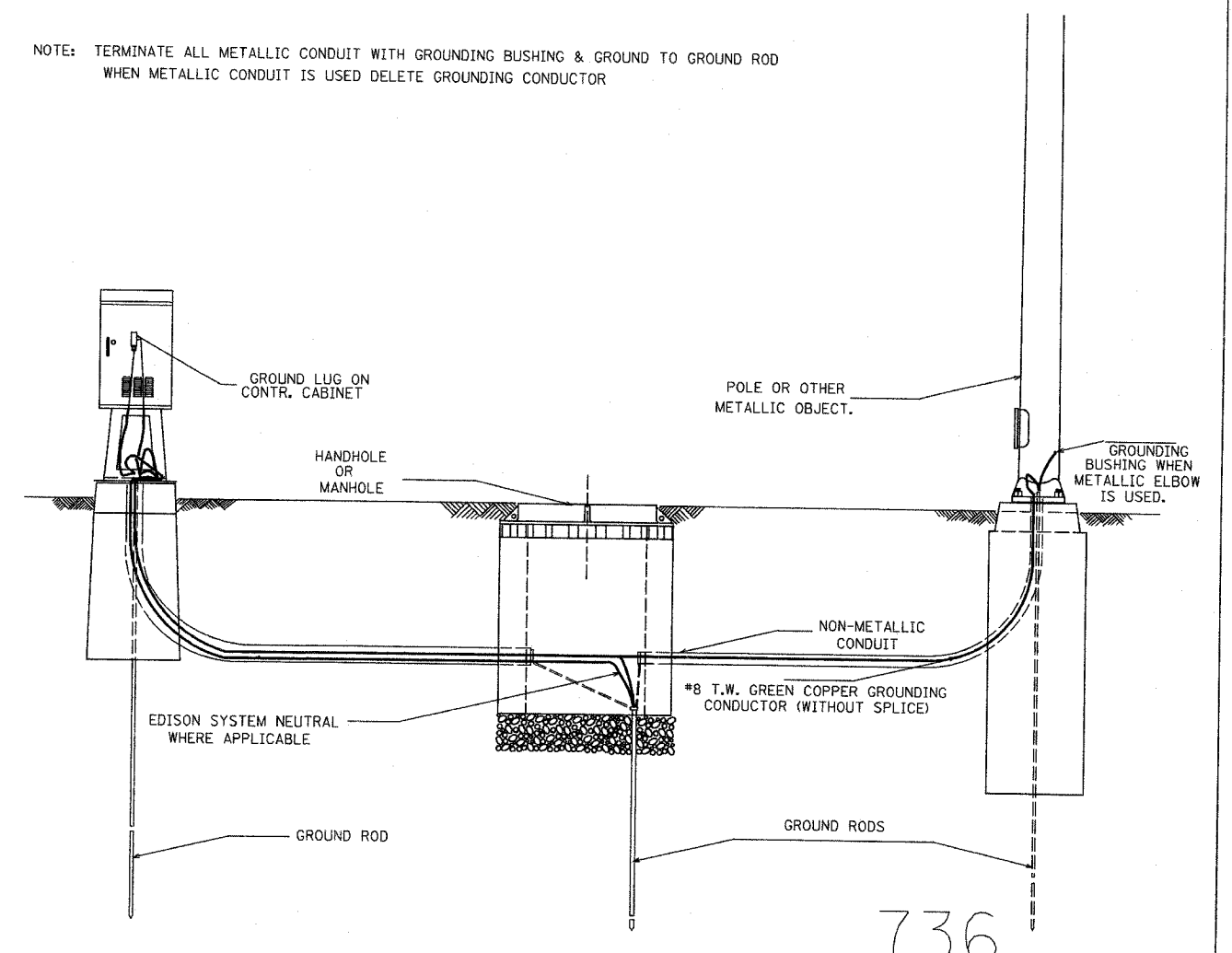


NOTE !!
HOLE FOR FOUNDATION
MUST BE AUGERED IN
UNDISTURBED SOIL

CODE	COMMODITY	SIZE	QUANTITY
05-3267-2940	REDI-MIX CONCRETE	CU. YD.	2.20
09-4001-	ELBOW, LARGE RADIUS	2", 2-1/2", 3", 4"	AS REQUIRED
37-8180-0200	ANCHOR ROD	1-1/2" X 60"	4
05-5054-6910	RE-BAR CAGE	20" Ø X 8'-0"	1
09-7796	GROUND ROD	3/4" X 14'-0"	1
09-2636-	GROUND ROD CLAMP	3/4"	1
	GROUND BUSHING	2", 2-1/2", 3", 4"	AS REQUIRED

CH-22-86	REVISED STEEL CAGE
B 8-7-84	CHANGED ELEVATIONS OF TAPS ON ELBOWS
A 8-27-81	GENERAL REVISION
DATE	REVISION
WORK ORDER NO.	DATE
COST ALLOCATION ACCOUNT	MATERIAL
APPROPRIATION ACCOUNT	LABOR
SPECIAL FOUNDATION FOR 7.94" X 12.50" X 34'-6" POLE WITH 40' TRAFFIC SIGNAL MAST ARM (1 1/2" BOLT CIRCLE BASE)	
CITY OF CHICAGO DEPT. OF STREETS AND SANITATION BUREAU OF ELECTRICAL ENGINEERING DIVISION OF ELECTRICAL ENGINEERING	
DRAFTSMAN R. CARTER	CHIEF DRAFTSMAN R. CARTER
SUPERVISING ENGINEER MICHAEL J. SHINE	ENGINEER R.L. MARTIN
ENGINEER OF ELECTRICITY RONALD O. POOL	DRAWING NO. 817
SUPT. OF CONSTRUCTION	DATE: March 5, 1996
DEPUTY COMMISSIONER JAMES K. HEFFERNAN	SCALE: NONE
SIZE: 18" X 29"	

NOTE: TERMINATE ALL METALLIC CONDUIT WITH GROUNDING BUSHING & GROUND TO GROUND ROD
WHEN METALLIC CONDUIT IS USED DELETE GROUNDING CONDUCTOR



736

G:\PROJECTS\JOB268\SIGNAL\NAGLE\TS-09.DGN DT. 02-19-01

TS-9

REVISIONS		ILLINOIS DEPARTMENT OF TRANSPORTATION NAGLE AVENUE OVER FAI-90 (KENNEDY EXPY) CITY OF CHICAGO STANDARD TRAFFIC SIGNAL DETAILS
NAME	DATE	
		SCALE: NONE DATE: DEC 2004
		DRAWN BY: RSV CHECKED BY: DS