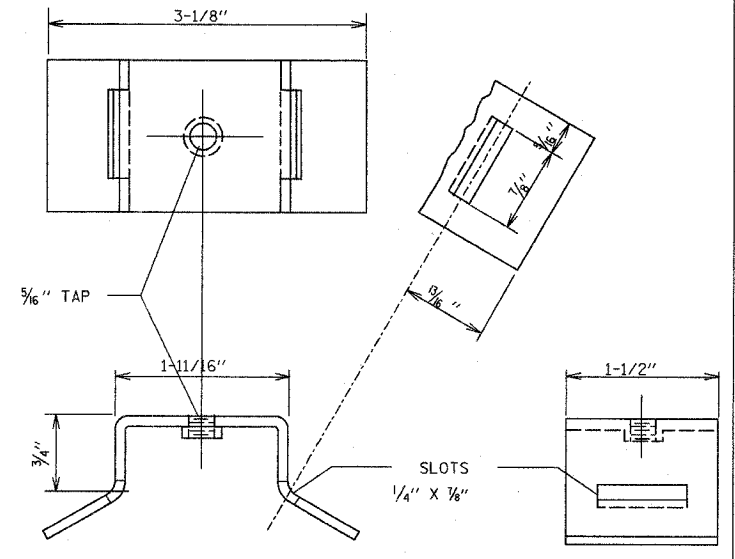


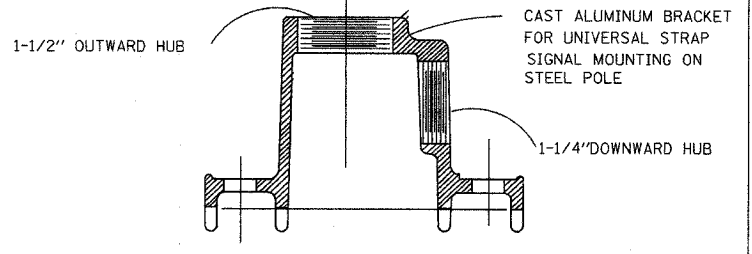
FAI RTE.	SECTION	COUNTY	TOTAL SHEETS	SHEET NO.
90	1314B	COOK	160	50
FED. ROAD DIST. NO.		ILLINOIS	FED. AID PROJECT	

BANDING FITTING FOR POLE MOUNTED JUNCTION BOX



MATERIAL: STAINLESS STEEL- 4 13/16" X 1 1/2" X 3/32"

BANDING FITTING FOR POLE MOUNTING SIGNALS

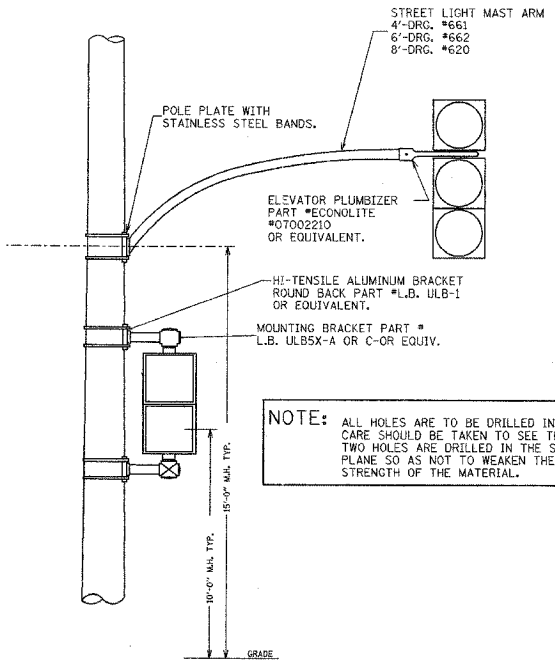


MATERIAL: CAST ALUMINUM

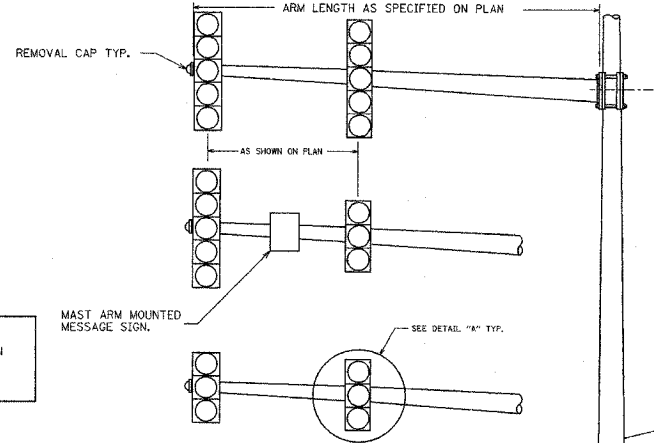
CROUSE HINDS  
TL-3301 WITHOUT DOWNWARD HUB  
TL-3302 WITH 1-1/4" DOWNWARD HUB

BANDING FITTINGS FOR POLE MOUNTING TRAFFIC SIGNALS

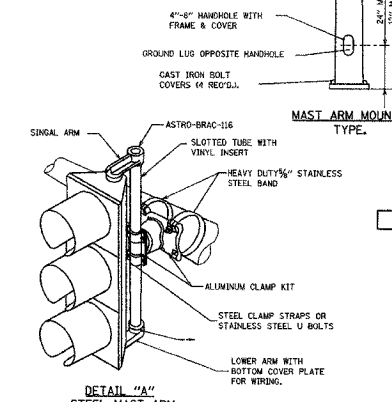
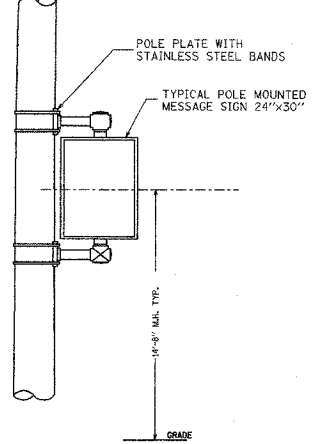
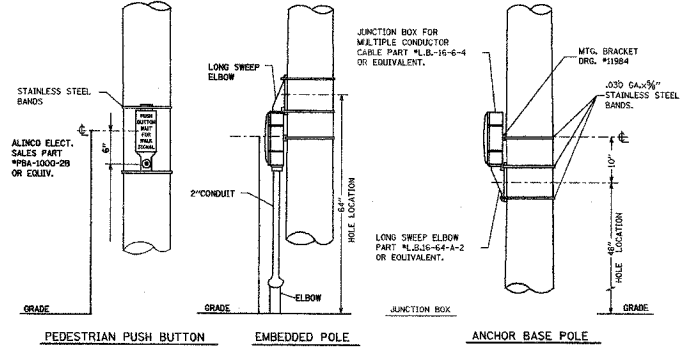
11984



NOTE: ALL HOLES ARE TO BE DRILLED IN POLES OR POSTS. CARE SHOULD BE TAKEN TO SEE THAT NO MORE THAN TWO HOLES ARE DRILLED IN THE SAME HORIZONTAL PLANE SO AS NOT TO WEAKEN THE OVERALL STRENGTH OF THE MATERIAL.



NOTE: OVERHEAD SIGNAL SHALL HAVE A MINIMUM CLEARANCE OF 15'-0" ABOVE PAVEMENT GRADE.



NOTE: FOR OPTICALLY PROGRAMMED SIGNAL LONGER SIGNAL ARMS REQUIRED. ASTRO-BRAC AB-103

TYPICAL TRAFFIC SIGNAL MOUNTING DETAILS

4-1-86 REDRAW M.P.

834

G:\PROJECTS\JOB268\SIGNAL\NAGLE\TS-10.DGN DT. 02-19-01

REVISIONS		ILLINOIS DEPARTMENT OF TRANSPORTATION NAGLE AVENUE OVER FAI-90 (KENNEDY EXPY) CITY OF CHICAGO STANDARD TRAFFIC SIGNAL DETAILS
NAME	DATE	
		SCALE: NONE
		DATE: DEC 2004
		DRAWN BY: CBR
		CHECKED BY: DS

TS-10