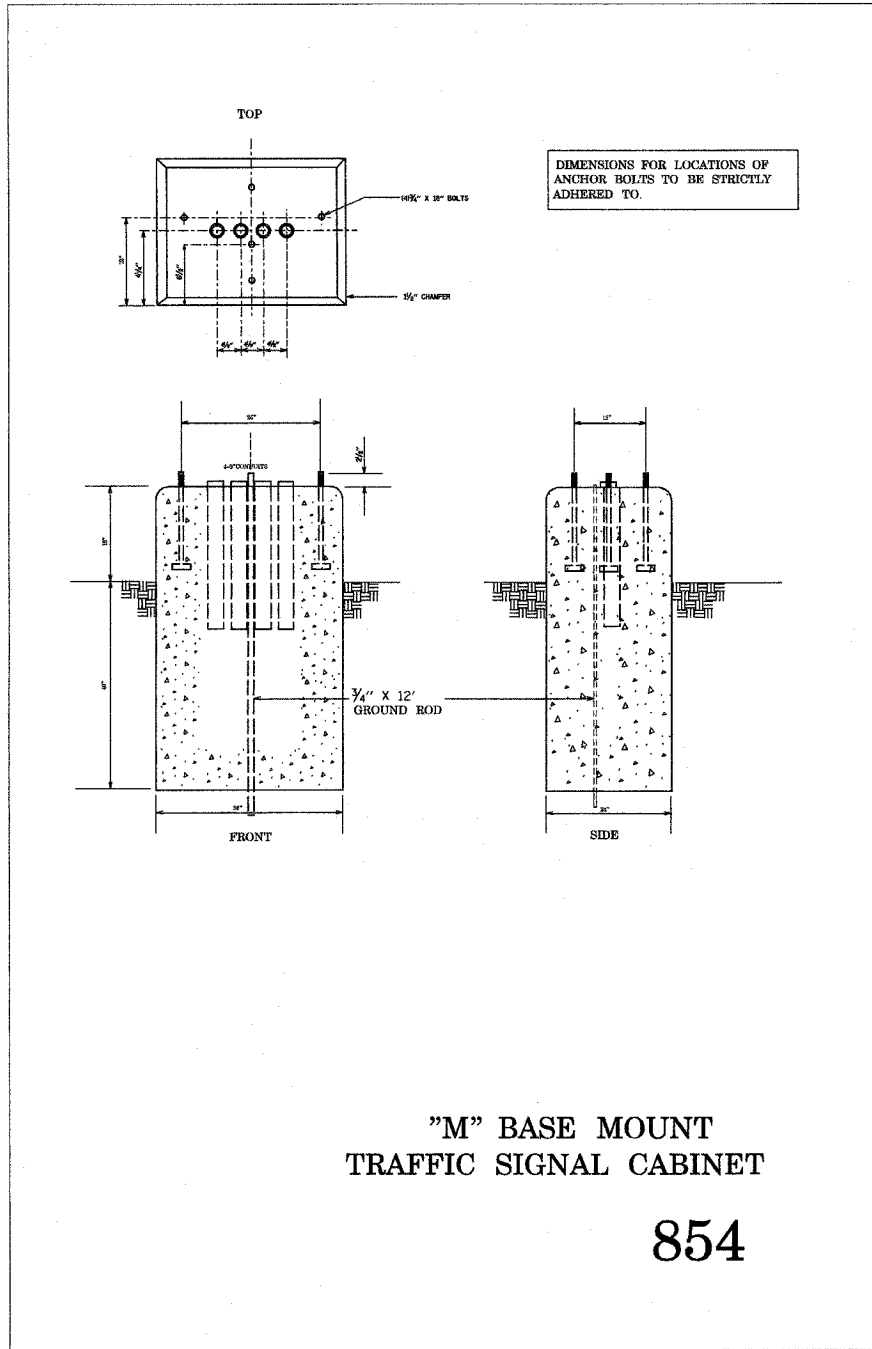
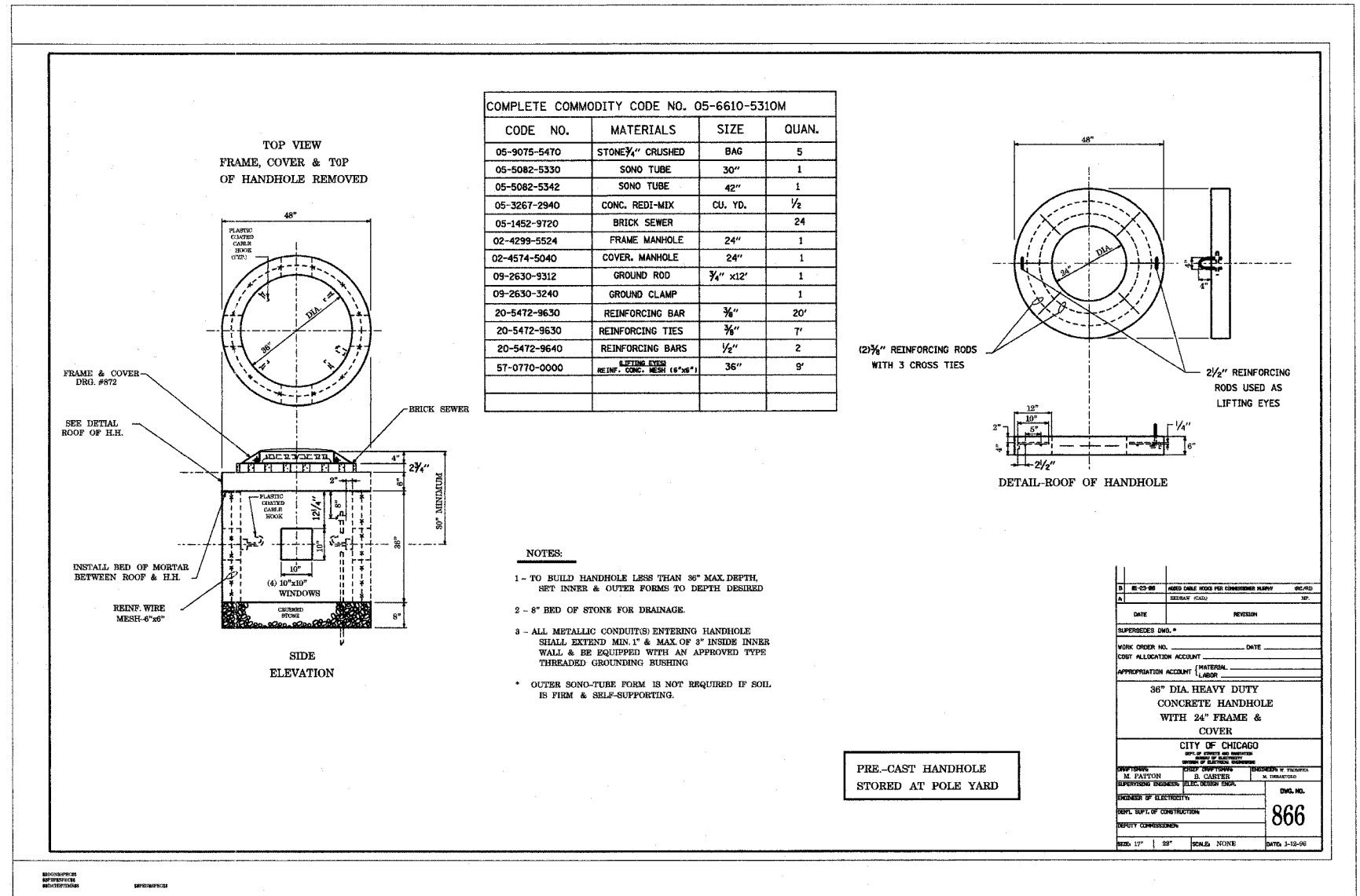


FAI RTE.	SECTION	COUNTY	TOTAL SHEETS	SHEET NO.
90	1314B	COOK	160	57
FED. ROAD DIST. NO.		ILLINOIS FED. AID PROJECT		



G:\PROJECTS\JOB268\SIGNAL\NAGLE\TS-17.DGN



COMPLETE COMMODITY CODE NO. 05-6610-5310M

CODE NO.	MATERIALS	SIZE	QUAN.
05-9075-5470	STONE 3/4\"	BAG	5
05-5082-5330	SONO TUBE	30\"	1
05-5082-5342	SONO TUBE	42\"	1
05-3267-2940	CONC. RED-MIX	CU. YD.	1/2
05-1452-9720	BRICK SEWER		24
02-4299-5524	FRAME MANHOLE	24\"	1
02-4574-5040	COVER, MANHOLE	24\"	1
09-2630-9312	GROUND ROD	3/4\" x 12'	1
09-2630-3240	GROUND CLAMP		1
20-5472-9630	REINFORCING BAR	3/8\"	20'
20-5472-9630	REINFORCING TIES	3/8\"	7'
20-5472-9640	REINFORCING BARS	1/2\"	2
57-0770-0000	LIFTING EYES REINF. CONC. MESH (6\"x6\")	36\"	9'

- NOTES:**
- TO BUILD HANDHOLE LESS THAN 36\"
  - 8\" BED OF STONE FOR DRAINAGE.
  - ALL METALLIC CONDUIT(S) ENTERING HANDHOLE SHALL EXTEND MIN. 1' & MAX. OF 3' INSIDE INNER WALL & BE EQUIPPED WITH AN APPROVED TYPE THREADED GROUNDING BUSHING
- \* OUTER SONO-TUBE FORM IS NOT REQUIRED IF SOIL IS FIRM & SELF-SUPPORTING.

DATE	REVISION
SUPERSEDES DWG. #	
WORK ORDER NO.	DATE
COST ALLOCATION ACCOUNT	INTERIOR
APPROPRIATION ACCOUNT	LABOR
<b>36\"</b>	
<b>CITY OF CHICAGO</b>	
DESIGNED BY	IN CHARGE
CHECKED BY	DATE
SCALE	DWG. NO.
SCALE: NONE	<b>866</b>
DATE: DEC 2004	SCALE: NONE

REVISIONS	
NAME	DATE

ILLINOIS DEPARTMENT OF TRANSPORTATION  
NAGLE AVENUE OVER FAI-90  
(KENNEDY EXPY)  
CITY OF CHICAGO

STANDARD TRAFFIC SIGNAL DETAILS

SCALE: NONE      DRAWN BY: RSV  
DATE: DEC 2004      CHECKED BY: DS