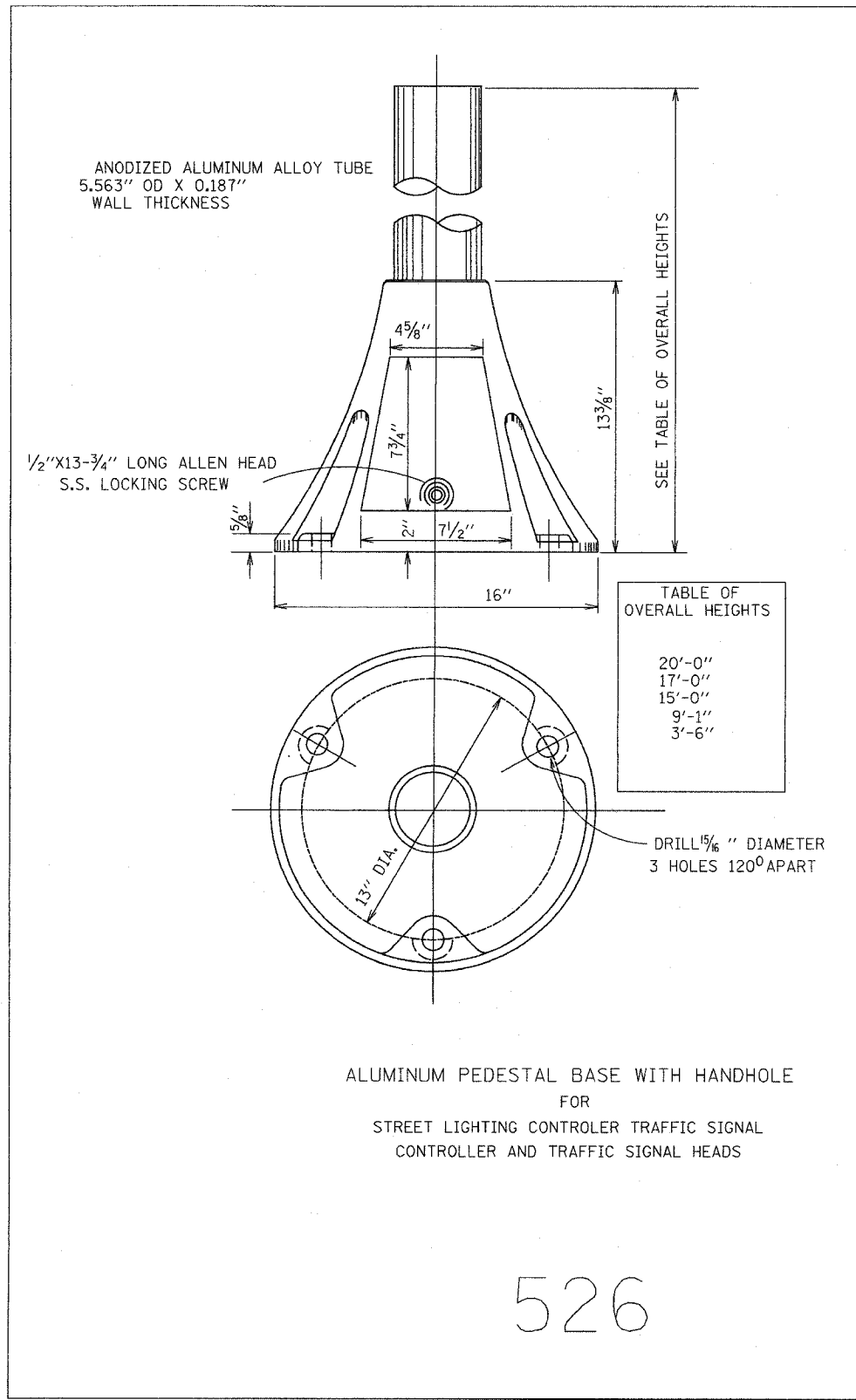
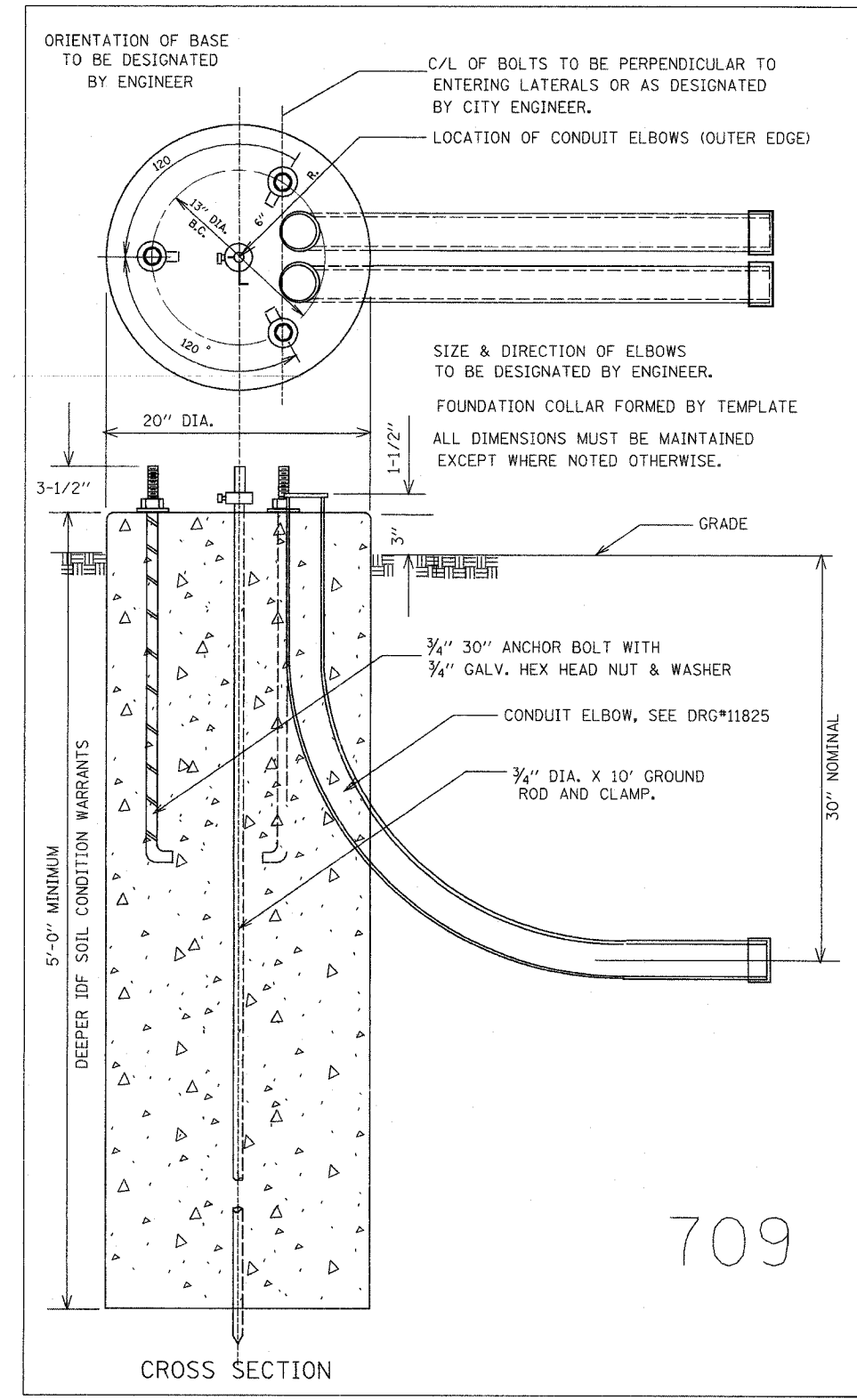


FAI RTE.	SECTION	COUNTY	TOTAL SHEETS	SHEET NO.
90	1314B	COOK	160	58
FED. ROAD DIST. NO.		ILLINOIS FED. AID PROJECT		



526



709

G:\PROJECTS\JOB268\SIGNAL\NAGLE\TS-18.DGN

REVISIONS	
NAME	DATE

ILLINOIS DEPARTMENT OF TRANSPORTATION
NAGLE AVENUE OVER FAI-90
(KENNEDY EXPY)
CITY OF CHICAGO

STANDARD TRAFFIC SIGNAL DETAILS

SCALE: NONE
DATE: DEC 2004

DRAWN BY: CBR
CHECKED BY: DS

TS-18