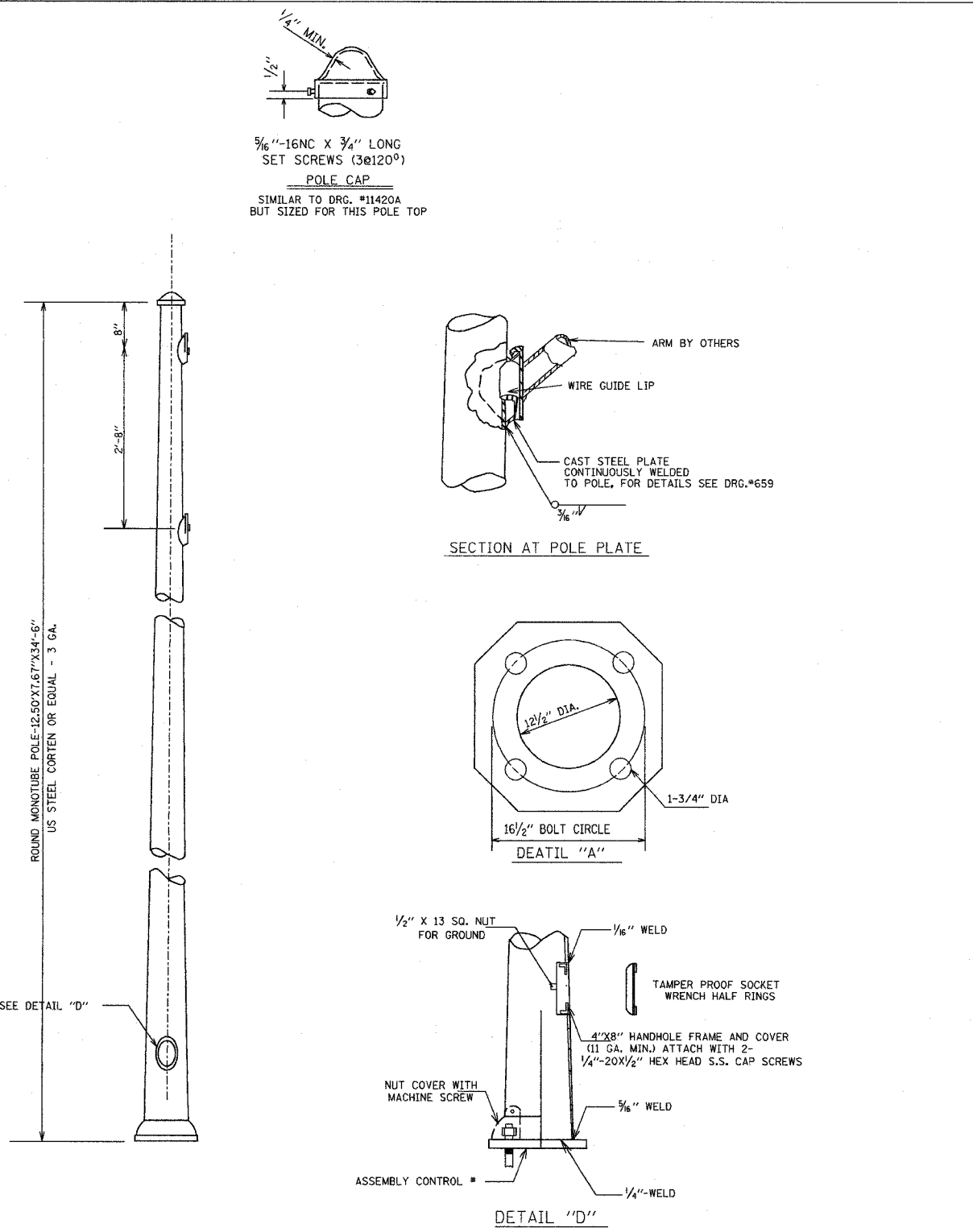


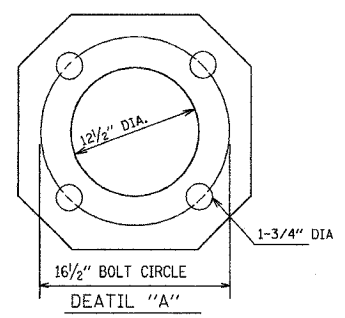
FAI RTE.	SECTION	COUNTY	TOTAL SHEETS	SHEET NO.
90	13148	COOK	160	63
FED. ROAD DIST. NO.			ILLINOIS FED. AID PROJECT	



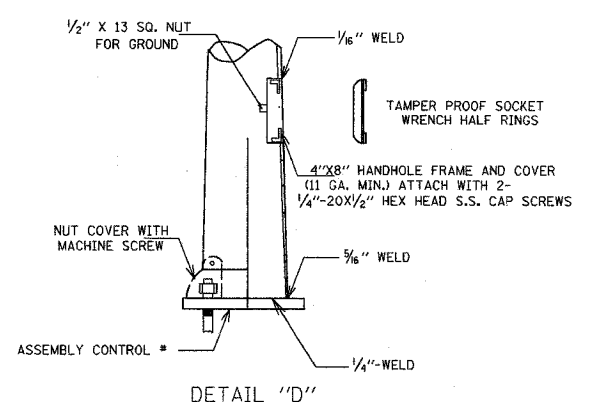
5/16"-16NC X 3/4" LONG SET SCREWS (3@120°)
POLE CAP
SIMILAR TO DRG. #11420A BUT SIZED FOR THIS POLE TOP

ARM BY OTHERS
WIRE GUIDE LIP
CAST STEEL PLATE CONTINUOUSLY WELDED TO POLE, FOR DETAILS SEE DRG.#659

SECTION AT POLE PLATE



DEATIL "A"

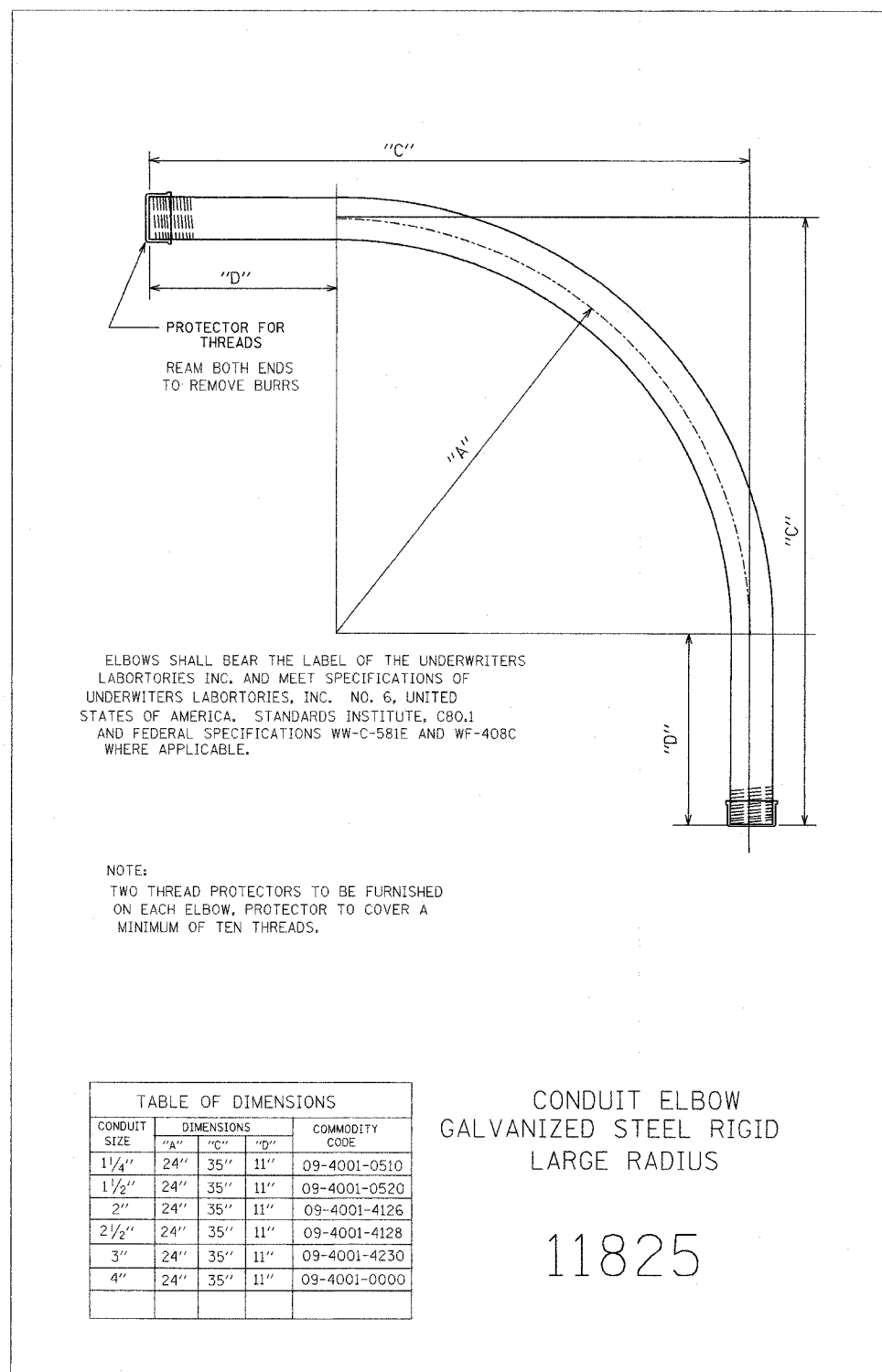


DETAIL "D"

NOTE:
THIS POLE TO BE SET ON FOUNDATION SPECIFIED ON DRG.#817 USING DOUBLE-NUT CONSTRUCTION.

AVERAGE WEIGHT OF POLE = 1095 LBS.

827



ELBOWS SHALL BEAR THE LABEL OF THE UNDERWRITERS LABORATORIES INC. AND MEET SPECIFICATIONS OF UNDERWRITERS LABORATORIES, INC. NO. 6, UNITED STATES OF AMERICA. STANDARDS INSTITUTE, C80.1 AND FEDERAL SPECIFICATIONS WW-C-581E AND WF-408C WHERE APPLICABLE.

NOTE:
TWO THREAD PROTECTORS TO BE FURNISHED ON EACH ELBOW, PROTECTOR TO COVER A MINIMUM OF TEN THREADS.

CONDUIT SIZE	DIMENSIONS			COMMODITY CODE
	"A"	"C"	"D"	
1 1/4"	24"	35"	11"	09-4001-0510
1 1/2"	24"	35"	11"	09-4001-0520
2"	24"	35"	11"	09-4001-4126
2 1/2"	24"	35"	11"	09-4001-4128
3"	24"	35"	11"	09-4001-4230
4"	24"	35"	11"	09-4001-0000

CONDUIT ELBOW
GALVANIZED STEEL RIGID
LARGE RADIUS

11825

G:\PROJECTS\JOB268\SIGNAL\NAGLE\TS-23.DGN

TS-23

REVISIONS		ILLINOIS DEPARTMENT OF TRANSPORTATION NAGLE AVENUE OVER FAI-90 (KENNEDY EXPY) CITY OF CHICAGO STANDARD TRAFFIC SIGNAL DETAILS
NAME	DATE	

SCALE: NONE
DATE: DEC 2004
DRAWN BY: CBR
CHECKED BY: DS