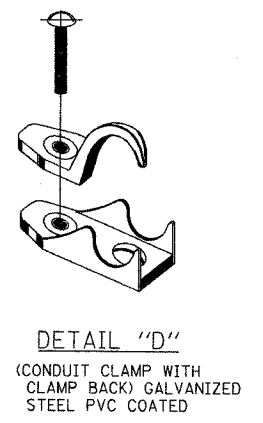
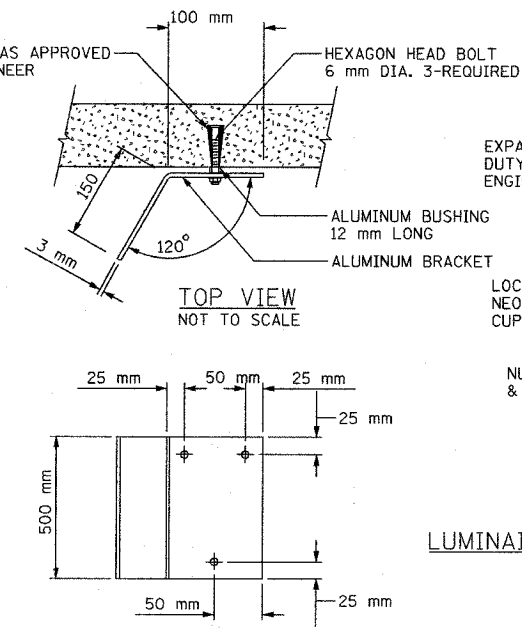
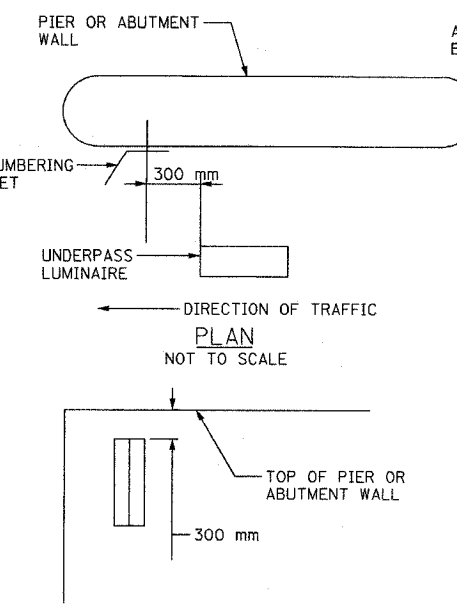
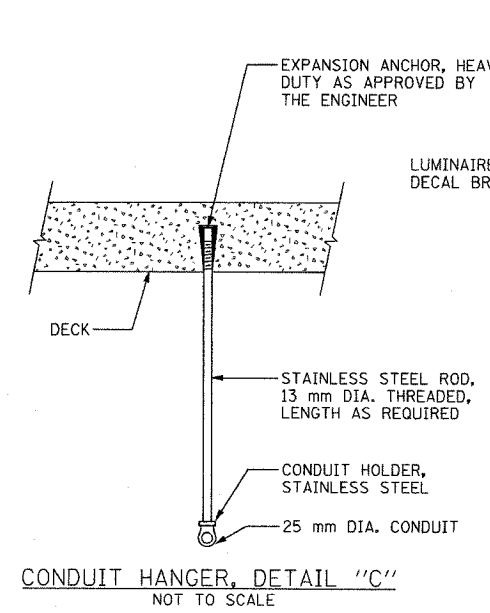
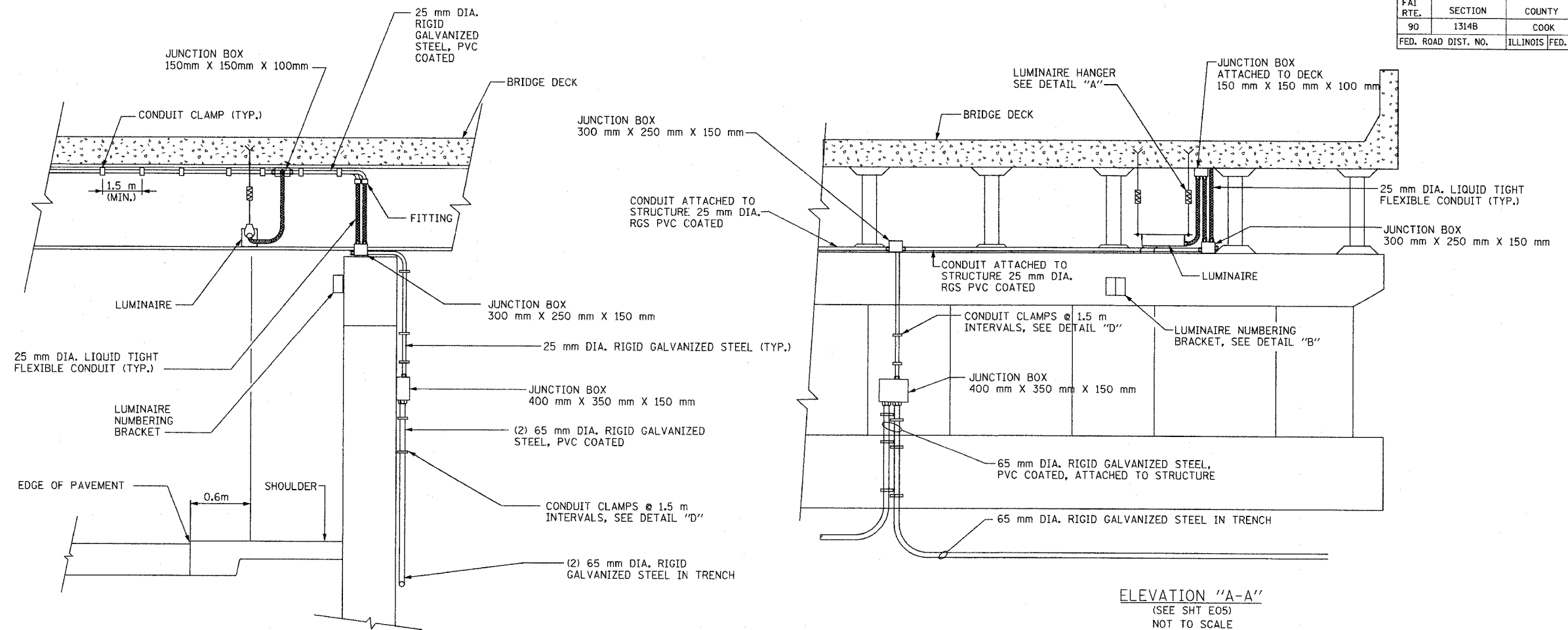


FAI RTE.	SECTION	COUNTY	TOTAL SHEET SHEETS NO.
90	1314B	COOK	160 69
FED. ROAD DIST. NO.		ILLINOIS FED. AID PROJECT	



DT. 02-19-01
G:\PROJECTS\JOB268\1TG\NAGLE\E6.DGN

NOTES:
1. NO ATTACHMENTS TO THE GIRDERS SHALL BE MADE WITHOUT PRIOR WRITTEN AUTHORIZATION FROM THE ENGINEER.
2. CONTRACTOR TO FIELD VERIFY CONDUIT ROUTING TO AVOID CONFLICTS WITH OTHER UTILITIES.

REVISIONS		ILLINOIS DEPARTMENT OF TRANSPORTATION
NAME	DATE	
		NAGLE AVE. OVER FAI-90 (KENNEDY EXPY) IDOT UNDERPASS LIGHTING DETAILS SCALE: NONE DATE: DEC 2004 DRAWN BY: AMP CHECKED BY: SM