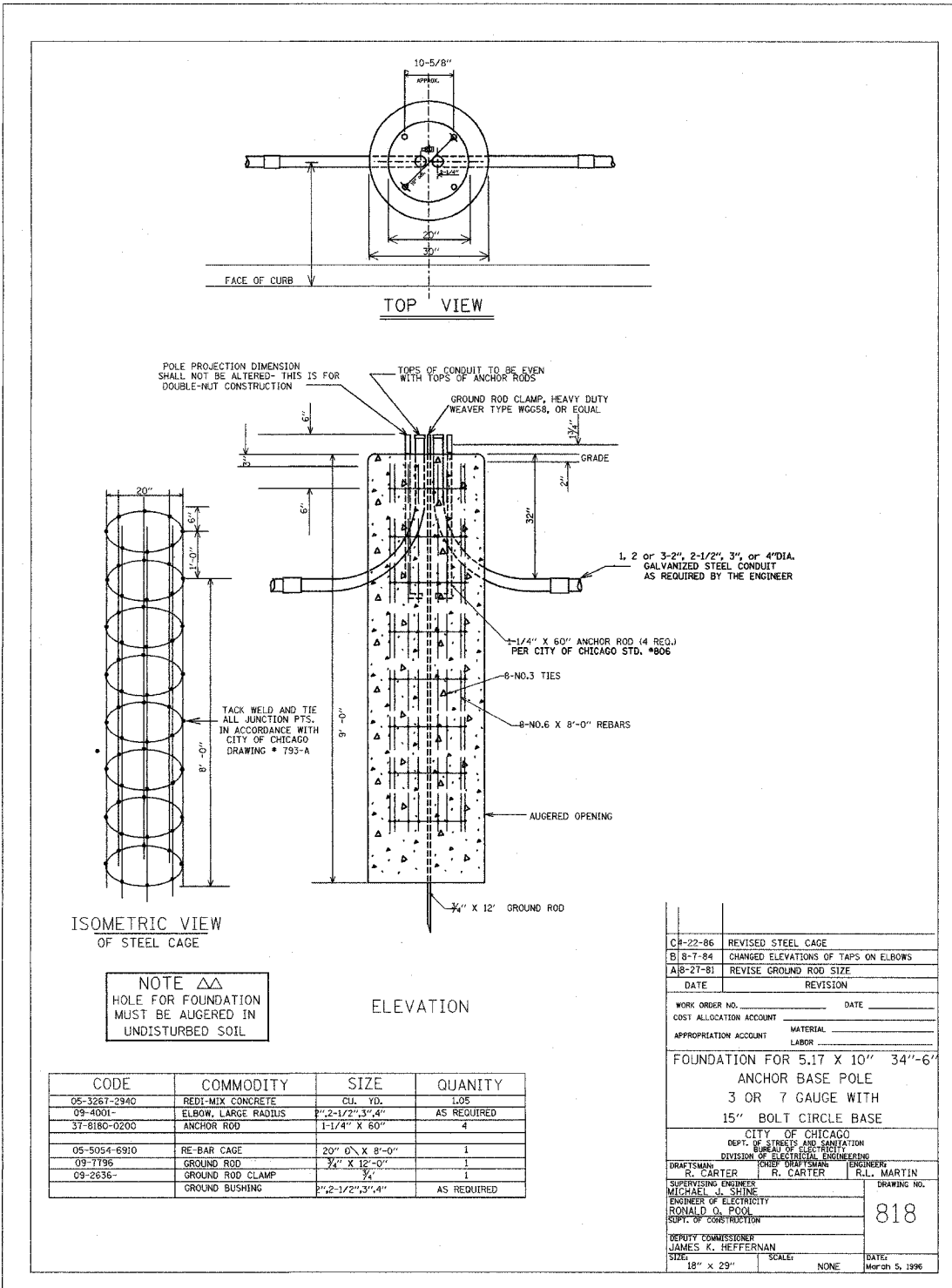
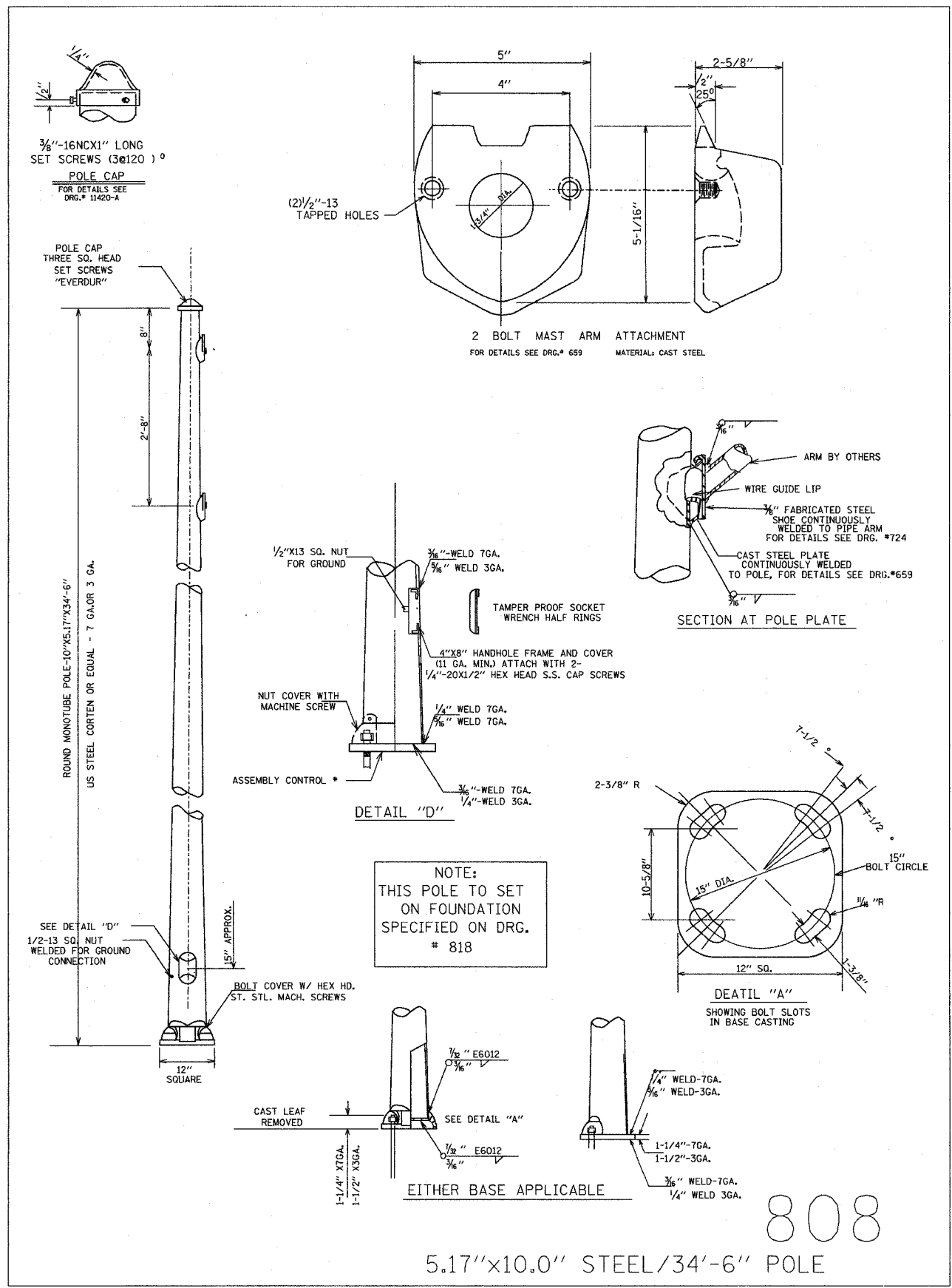


FBI RTE.	SECTION	COUNTY	TOTAL SHEETS	SHEET NO.
90	1314B	COOK	160	72
FED. ROAD DIST. NO.		ILLINOIS FED. AID PROJECT		

DT. 02-19-01
G:/PROJECTS/JOB268/L/TG/NAGLE/ES.DGN



REVISIONS		ILLINOIS DEPARTMENT OF TRANSPORTATION
NAME	DATE	
		NAGLE AVE. OVER FAI-90 (KENNEDY EXPY) CITY OF CHICAGO 34'-6" POLE FOUNDATION DETAILS SCALE: NONE DRAWN BY: AMP DATE: DEC 2004 CHECKED BY: SM

808