

FAI RTE.	SECTION	COUNTY	TOTAL SHEETS	SHEET NO.
90	1314B	COOK	160	73
FED. ROAD DIST. NO.	ILLINOIS FED. AID PROJECT			

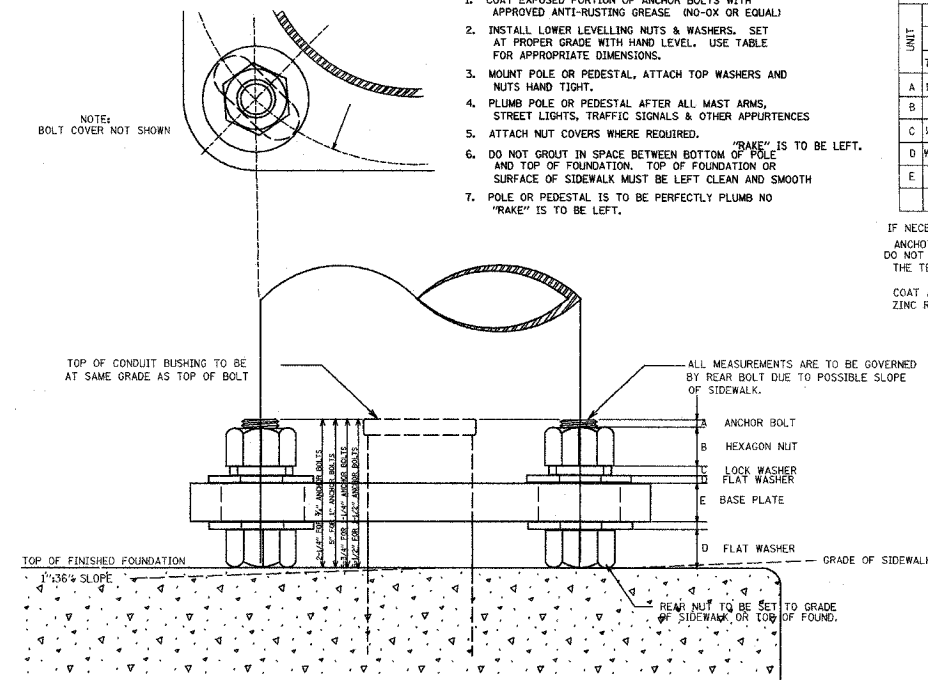
INSTALLATION NOTES

1. COAT EXPOSED PORTION OF ANCHOR BOLTS WITH APPROVED ANTI-RUSTING GREASE (NO-OX OR EQUAL).
2. INSTALL LOWER LEVELLING NUTS & WASHERS. SET AT PROPER GRADE WITH HAND LEVEL. USE TABLE FOR APPROPRIATE DIMENSIONS.
3. MOUNT POLE OR PEDESTAL, ATTACH TOP WASHERS AND NUTS HAND TIGHT.
4. PLUMB POLE OR PEDESTAL AFTER ALL MAST ARMS, STREET LIGHTS, TRAFFIC SIGNALS & OTHER APPURTENCES.
5. ATTACH NUT COVERS WHERE REQUIRED.
6. DO NOT GROUT IN SPACE BETWEEN BOTTOM OF POLE AND TOP OF FOUNDATION. TOP OF FOUNDATION OR SURFACE OF SIDEWALK MUST BE LEFT CLEAN AND SMOOTH.
7. POLE OR PEDESTAL IS TO BE PERFECTLY PLUMB NO "RAKE" IS TO BE LEFT.

TABLE

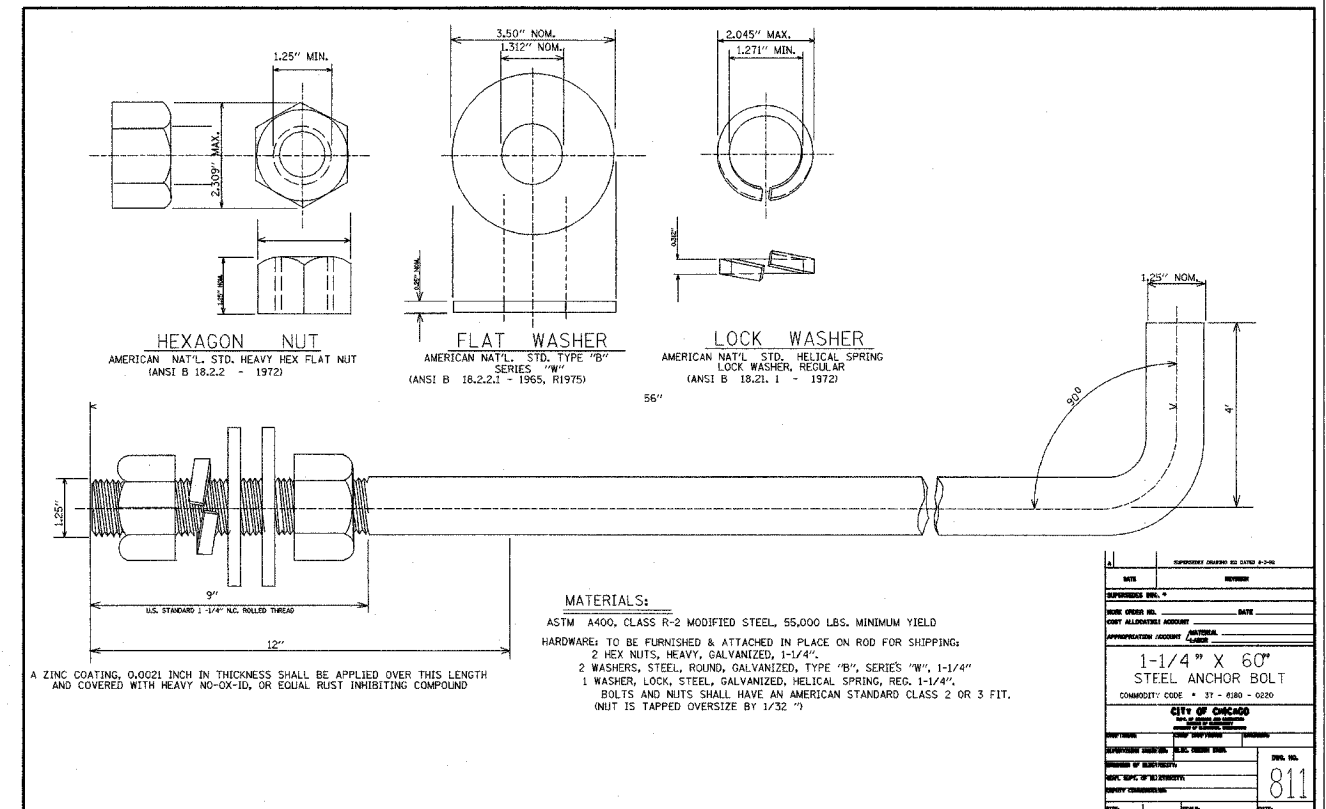
UNIT	POLE GAUGES			
	1"	1-1/4"	1-1/2"	3/4"
A	7/8"	7/8"	7/8"	7/8"
B	1"	1"	1"	1"
C	3/4"	3/4"	3/4"	3/4"
D	1/2"	1/2"	1/2"	1/2"
E	1"	1"	1"	1"

IF NECESSARY:
ANCHOR BOLT TO BE TRIMMED WITH SAW
DO NOT BURNT. AS THIS DRASTICALLY REDUCES
THE TENSILE STRENGTH OF ANCHOR BOLT
COAT ANCHOR BOLT WITH RUST-OLEUM HARD TAP
ZINC RICH COMPOUND.



837
CONSTRUCTION METHOD FOR
"DOUBLE NUT" INSTALLATION
OF POLES AND PEDESTALS

DT. 02-19-01 G:/PROJECTS/JDB268/LTG/NAGLE/EI/D.DGN



A ZINC COATING, 0.0021 INCH IN THICKNESS SHALL BE APPLIED OVER THIS LENGTH AND COVERED WITH HEAVY NO-OX-10, OR EQUAL RUST INHIBITING COMPOUND

MATERIALS:
ASTM A400, CLASS R-2 MODIFIED STEEL, 55,000 LBS. MINIMUM YIELD
HARDWARE: TO BE FURNISHED & ATTACHED IN PLACE ON ROD FOR SHIPPING:
2 HEX NUTS, HEAVY, GALVANIZED, 1-1/4"
2 WASHERS, STEEL, ROUND, GALVANIZED, TYPE "B", SERIES "W", 1-1/4"
1 WASHER, LOCK, STEEL, GALVANIZED, HELICAL SPRING, REG. 1-1/4"
BOLTS AND NUTS SHALL HAVE AN AMERICAN STANDARD CLASS 2 OR 3 FIT.
NUT IS TAPPED OVERSIZE BY 1/32"

DATE	REVISION

1-1/4" X 60" STEEL ANCHOR BOLT
COMMODITY CODE 37 - 030 - 020

CITY OF CHICAGO

811

REVISIONS	
NAME	DATE

ILLINOIS DEPARTMENT OF TRANSPORTATION
NAGLE AVE. OVER FAI-90
(KENNEDY EXPY)
CITY OF CHICAGO

MISCELLANEOUS ELECTRICAL DETAILS
SCALE: NONE
DATE: DEC 2004

DRAWN BY: CBR
CHECKED BY: SM