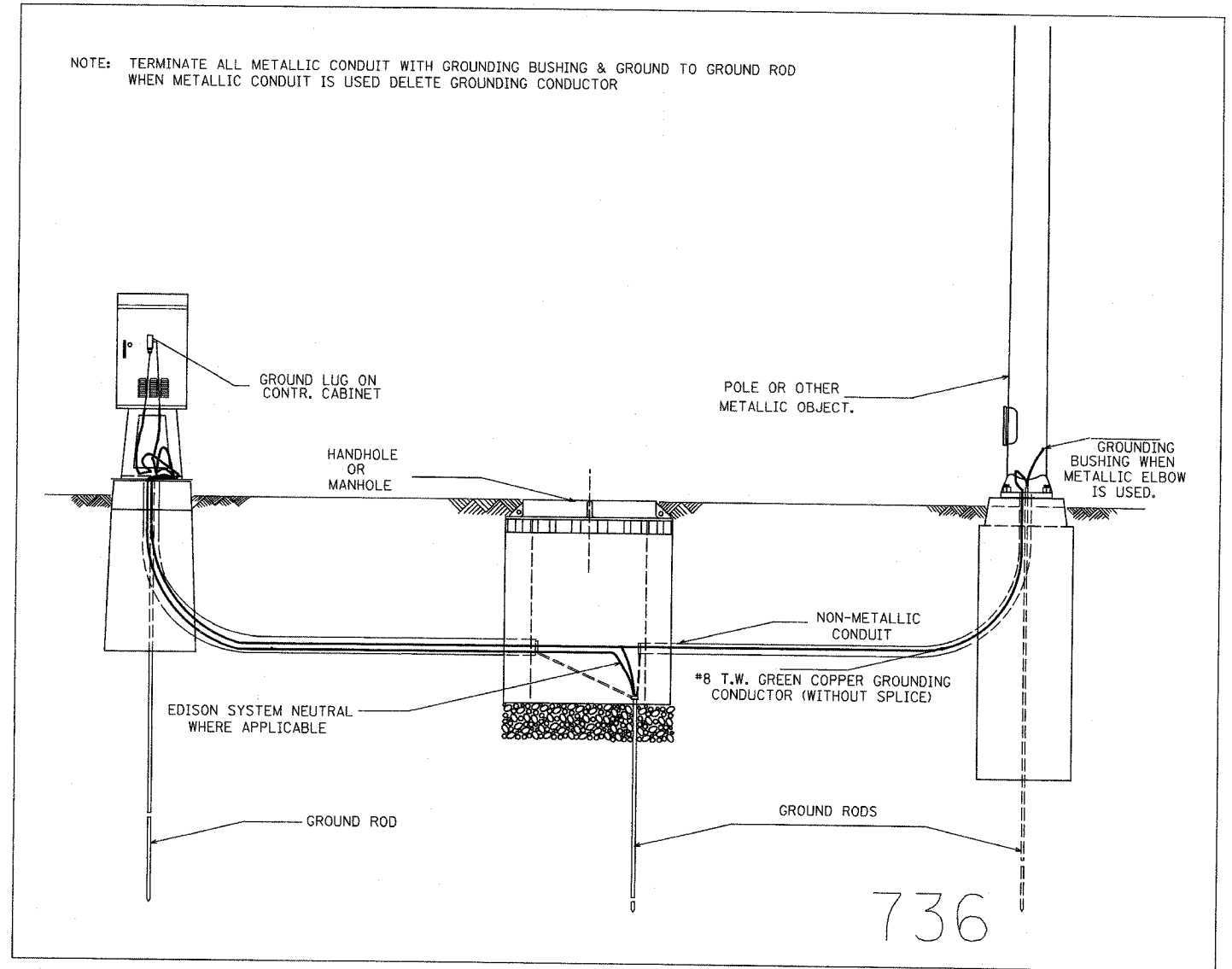
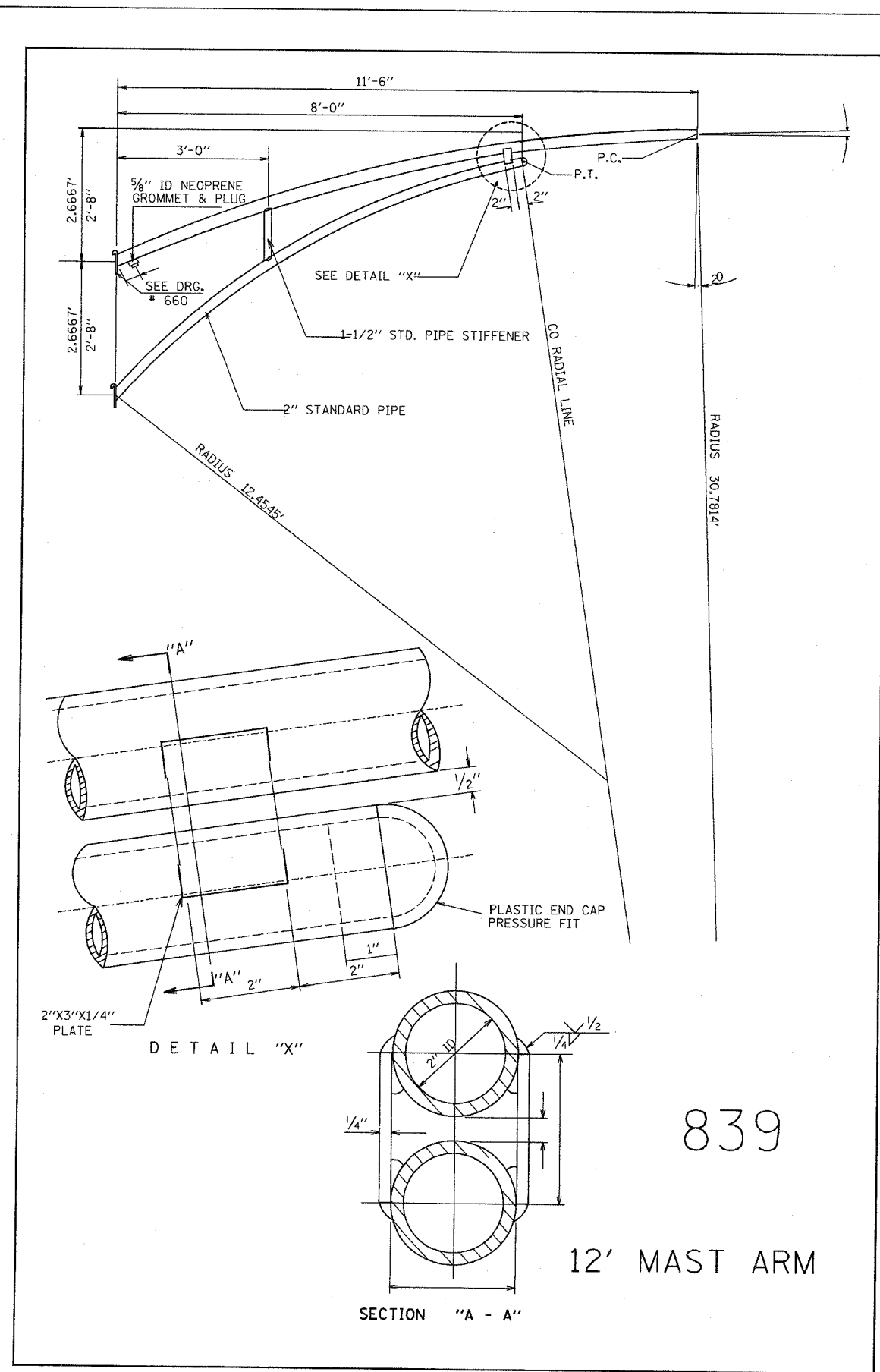


FBI RTE.	SECTION	COUNTY	TOTAL SHEETS	SHEET NO.
90	1314B	COOK	160	74
FED. ROAD DIST. NO.		ILLINOIS FED. AID PROJECT		



DT. 02-19-01

C:\PROJECTS\JOB268\LTG\NAGLE\E111.DGN

839

12' MAST ARM

REVISIONS		ILLINOIS DEPARTMENT OF TRANSPORTATION NAGLE AVE. OVER I-90 (KENNEDY EXPY) CITY OF CHICAGO MISCELLANEOUS ELECTRICAL DETAILS
NAME	DATE	

SCALE: NONE  
DATE: DEC 2004

DRAWN BY: CBR  
CHECKED BY: SM