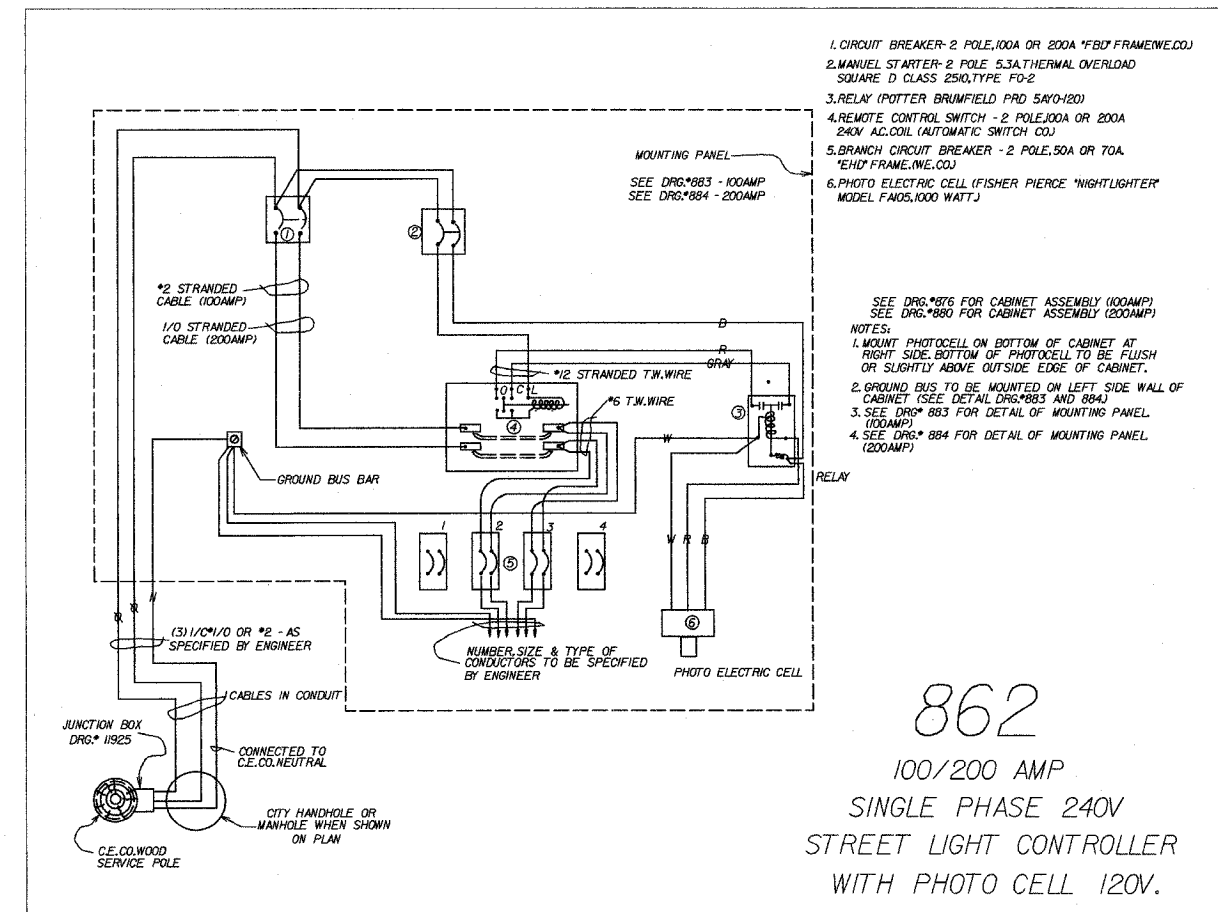
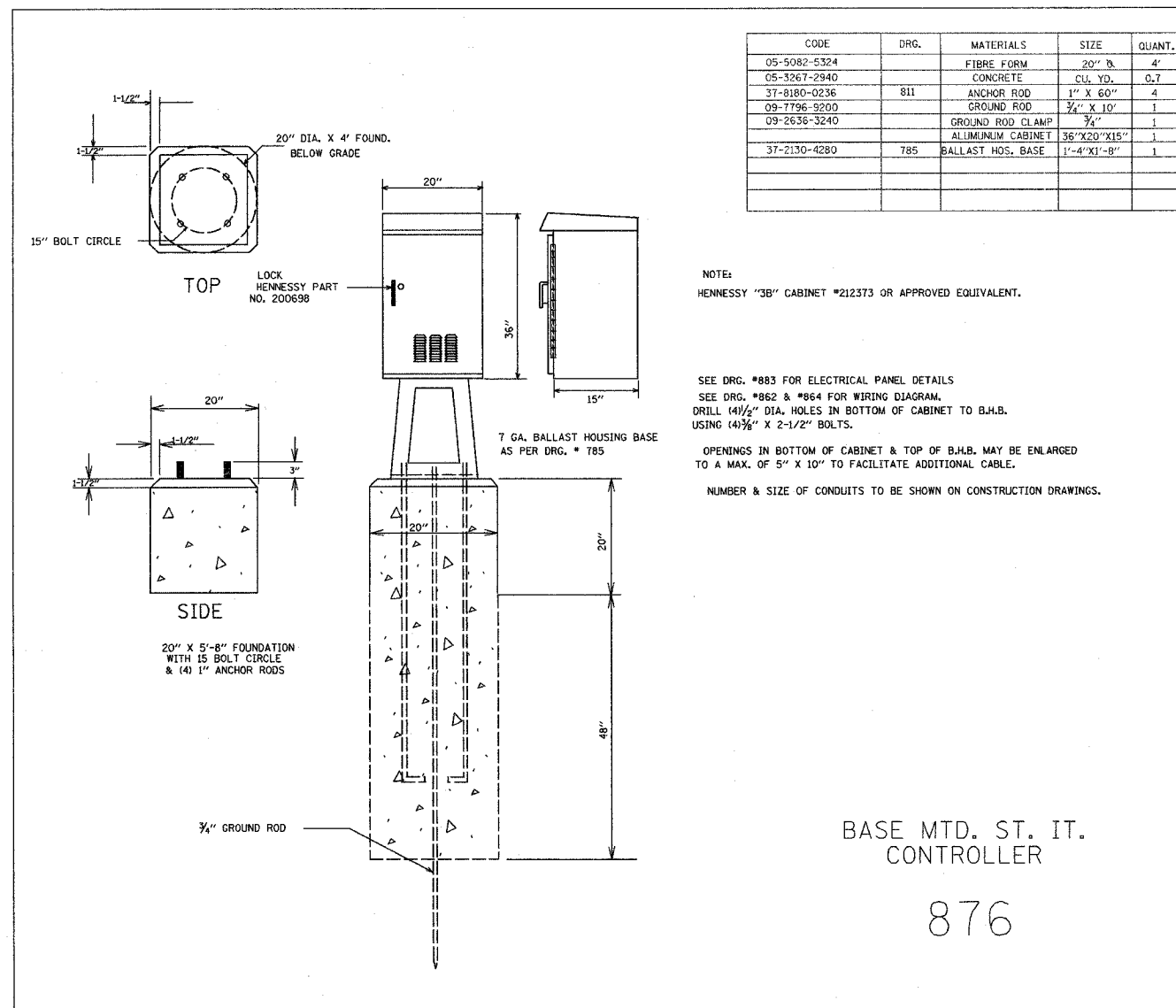


FAI RTE.	SECTION	COUNTY	TOTAL SHEETS	SHEET NO.
90	1314B	COOK	160	76
FED. ROAD DIST. NO.		ILLINOIS FED. AID PROJECT		



G:\PROJECTS\JOB268\LTC\NAGLE\E13.DGN

REVISIONS		ILLINOIS DEPARTMENT OF TRANSPORTATION NAGLE AVE. OVER FAI-90 (KENNEDY EXPY) CITY OF CHICAGO MISCELLANEOUS ELECTRICAL DETAILS
NAME	DATE	
		SCALE: NONE
		DATE: DEC 2004
		DRAWN BY: CBR
		CHECKED BY: SM