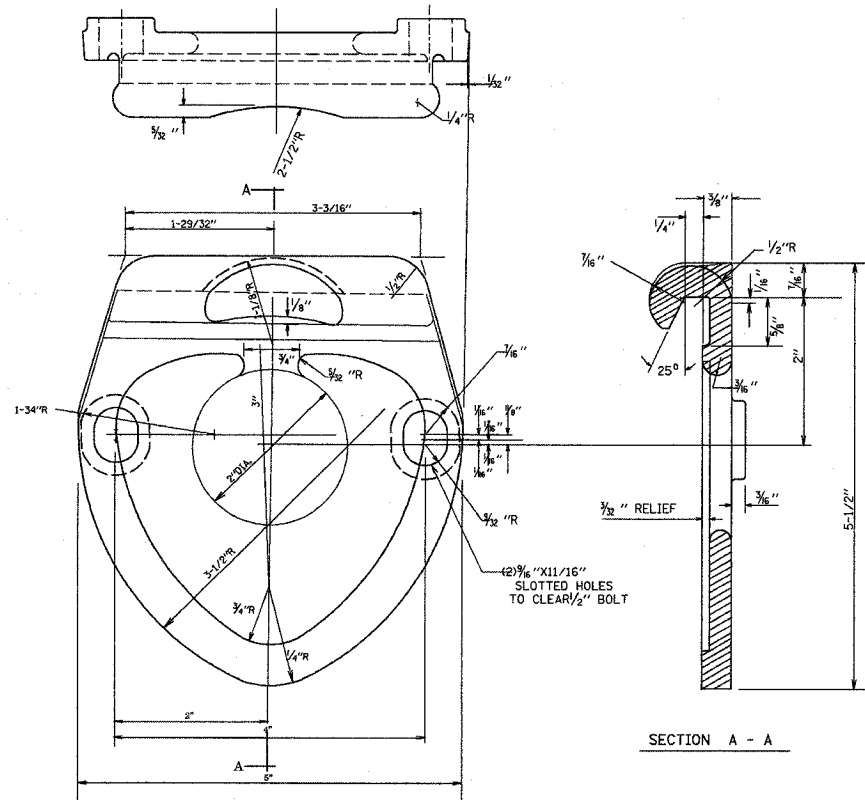
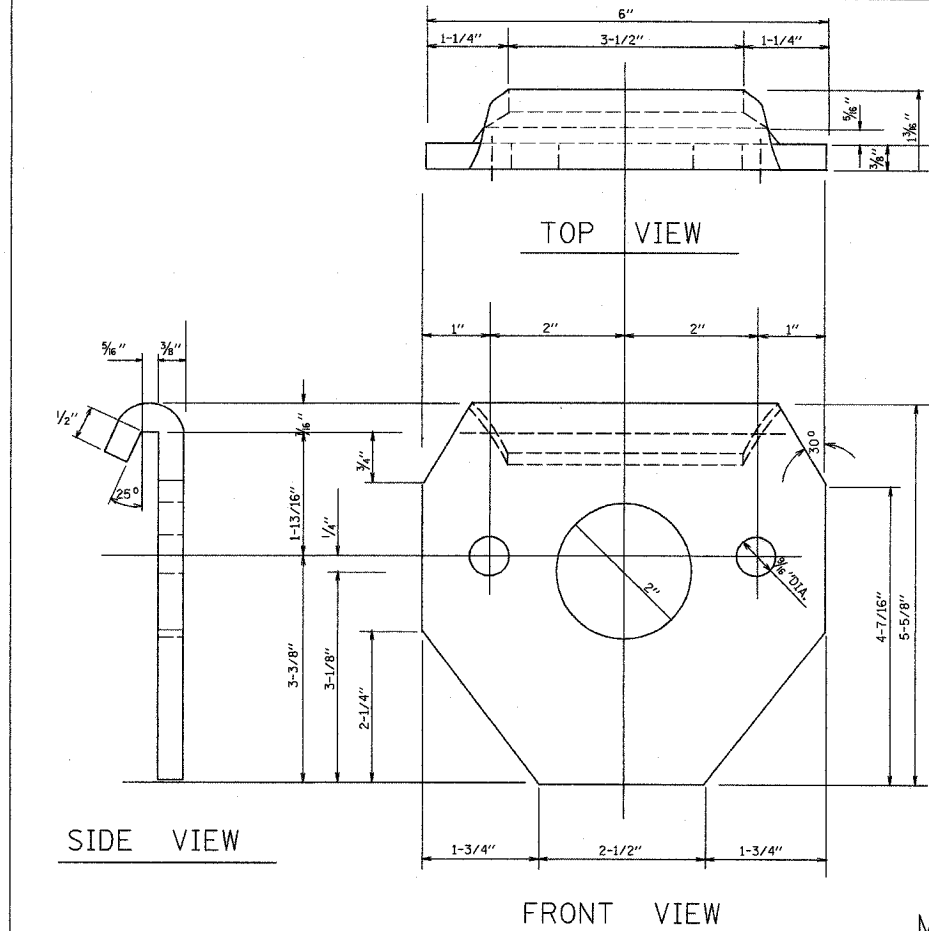


FAI RTE.	SECTION	COUNTY	TOTAL SHEETS	SHEET NO.
90	1314B	COOK	160	78
FED. ROAD DIST. NO.		ILLINOIS FED. AID PROJECT		



2 BOLT MAST ARM ATTACHMENT
MAST ARM BRACKET DETAIL

660



NOTE: REMOVE ALL SHARP EDGES
MATERIAL: HOT ROLLED STEEL
ASTM, A-36

724

TWO BOLT
MAST ARM ATTACHMENT
BRACKET DETAILS

G:\PROJECTS\JOB268\LTG\NAGLE\E15.DGN

E-15

REVISIONS	
NAME	DATE

ILLINOIS DEPARTMENT OF TRANSPORTATION
NAGLE AVE. OVER FAI-90
(KENNEDY EXPY)
CITY OF CHICAGO
MISCELLANEOUS ELECTRICAL DETAILS
SCALE: NONE DRAWN BY: CBR
DATE: DEC 2004 CHECKED BY: SM