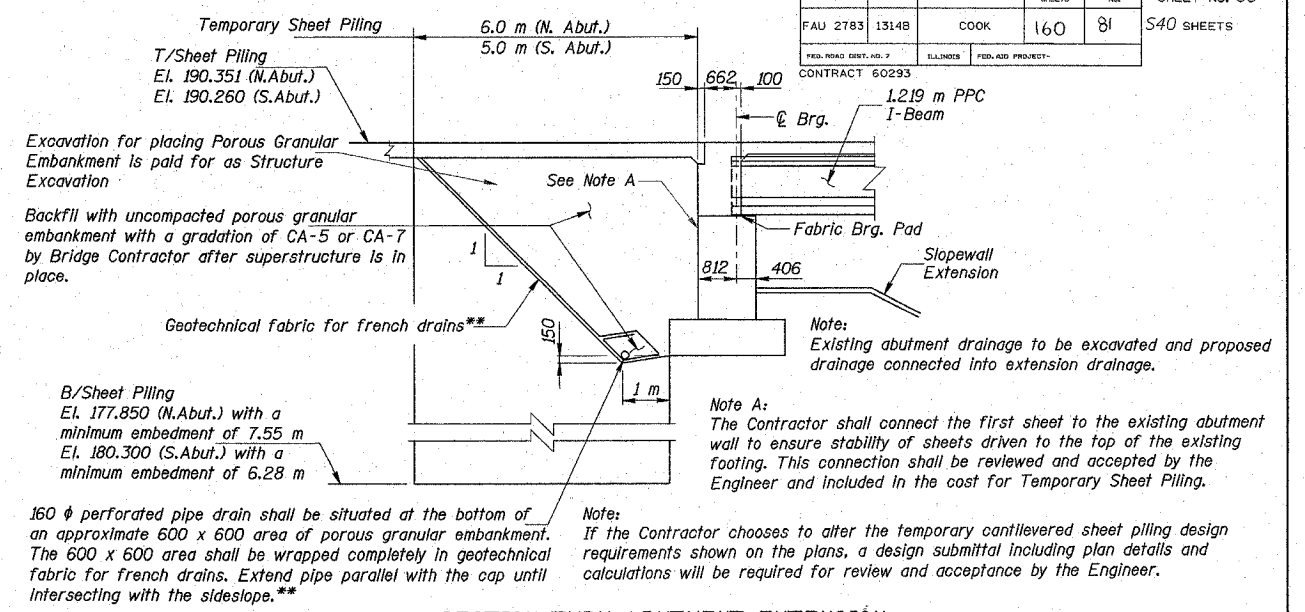
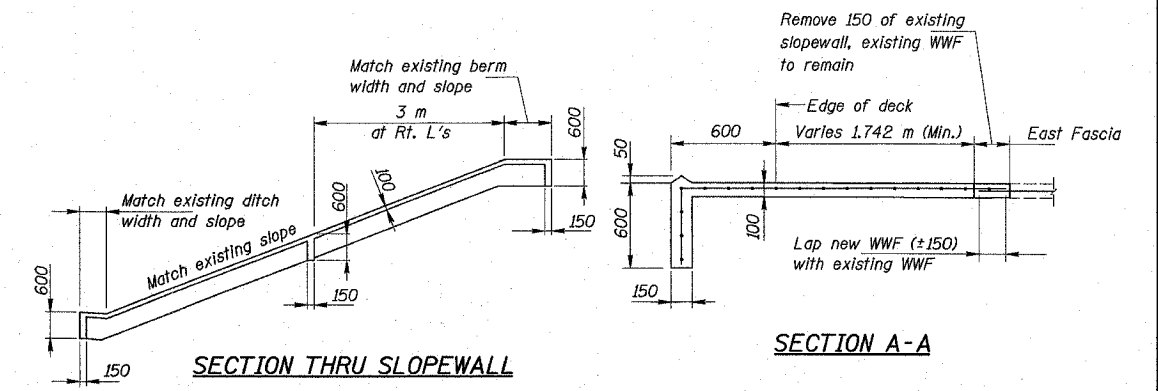
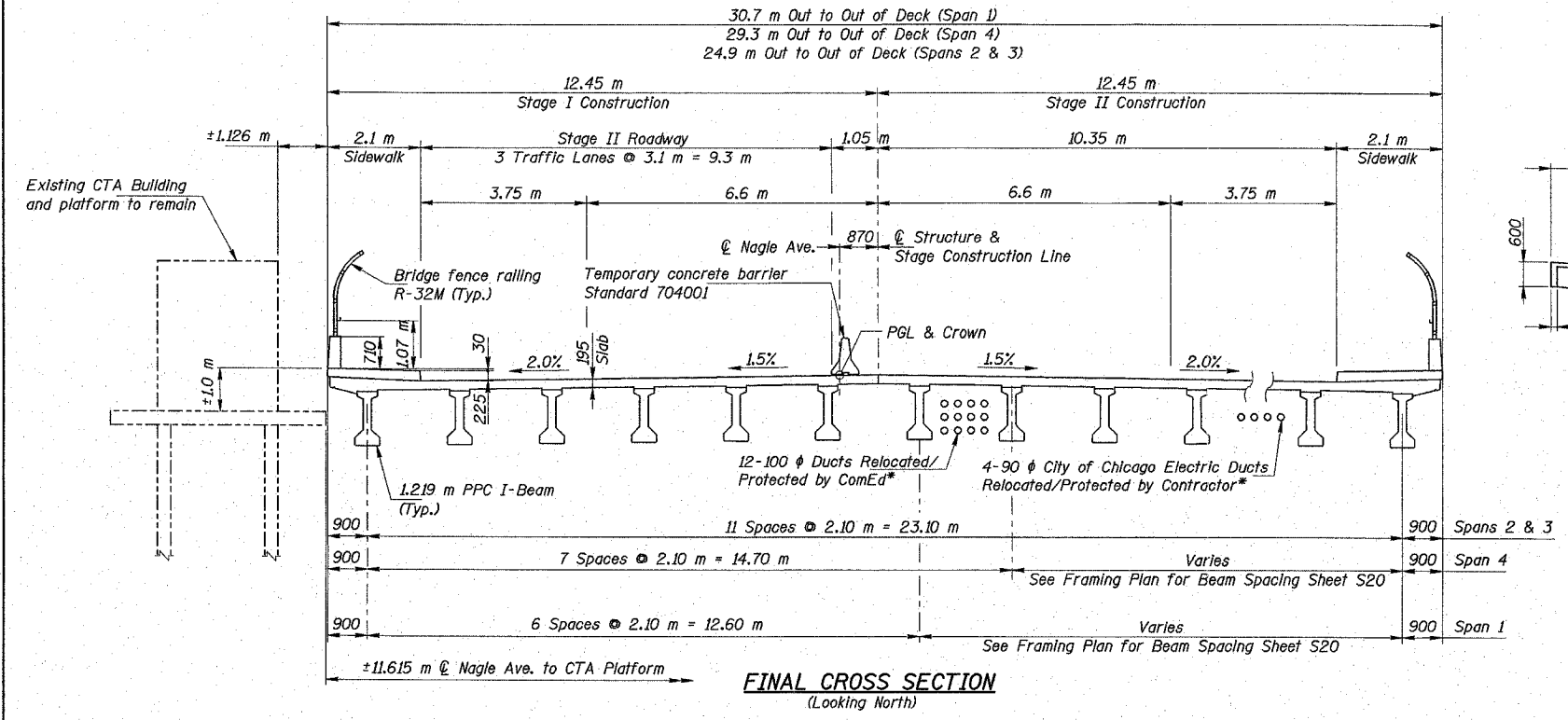
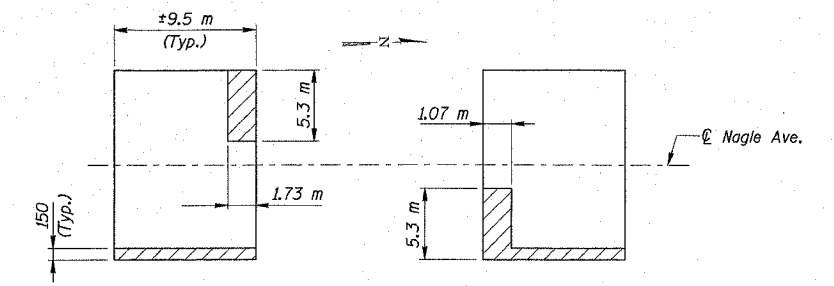


\* Conduits are to either be relocated as shown or protected/temporarily supported and left in existing location, as determined by conduit owner. If conduits are not relocated, locations of diaphragm blockouts need to be adjusted accordingly.



**SECTION THRU ABUTMENT EXTENSION**  
(Dimensions @ Rt. L's to C Brg.)

\*\* Included in the cost of Porous Granular Embankment.



Notes:

Slope wall shall be reinforced with welded wire fabric, 152x152-MW25.8x MW25.8 with a mass of 2.91 kg/m. Included in the cost of "Slope Wall 100mm".

It shall be the Contractor's responsibility to remove the existing protective shielding on the bridge and any associated debris prior to placing the new protective shield. Cost associated with removing and disposing the existing protective shield system and any associated debris is included with Protective Shield bid item.

**COLLINS ENGINEERS**  
123 N. WACKER DR., SUITE 300  
CHICAGO, IL 60606  
(312) 704-9300  
ILLINOIS PROFESSIONAL DESIGN FIRM  
LICENSE NO. 184-000993

REVISIONS	
NAME	DATE

ILLINOIS DEPARTMENT OF TRANSPORTATION  
F.A.I. 90 (I-90)  
AT NAGLE AVENUE  
F.A.U. RTE. 2783 SEC 1314B  
COOK COUNTY STATION 1+001.212  
STRUCTURE NO. 016-0708

**STAGING DETAILS**

DRAWN BY KAC  
CHECKED BY LDB/DGS  
DATE: DEC. 2004