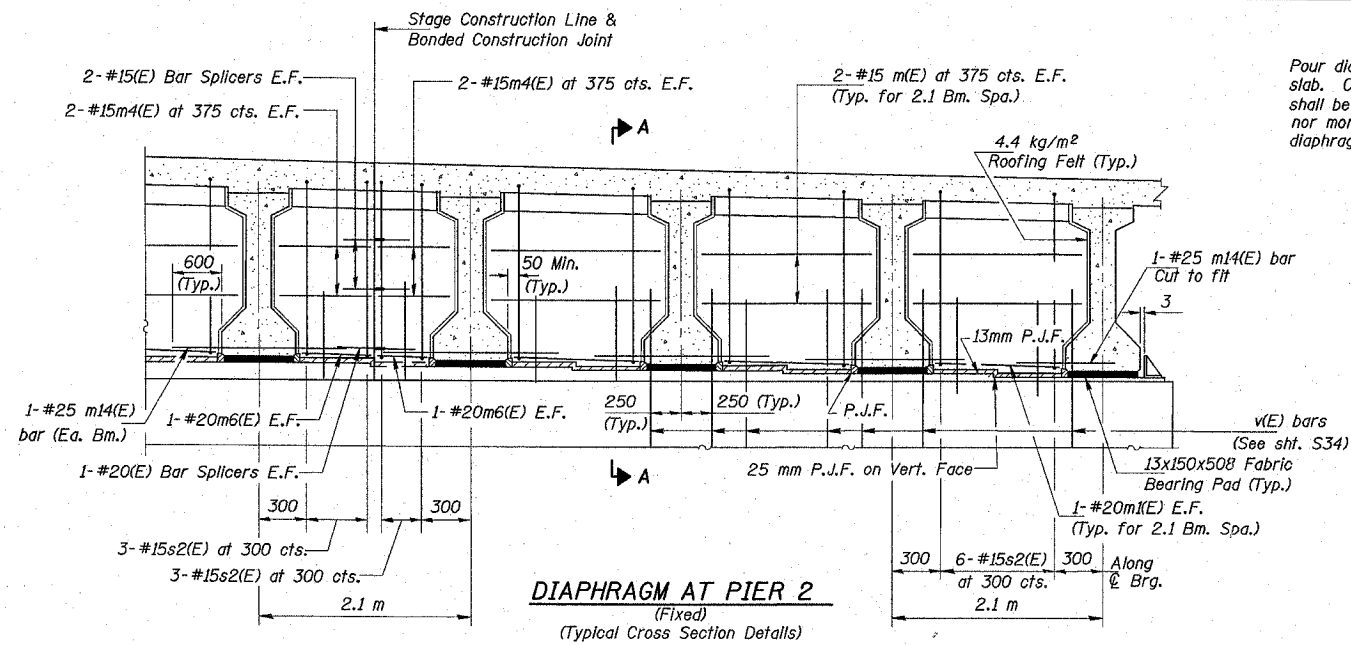


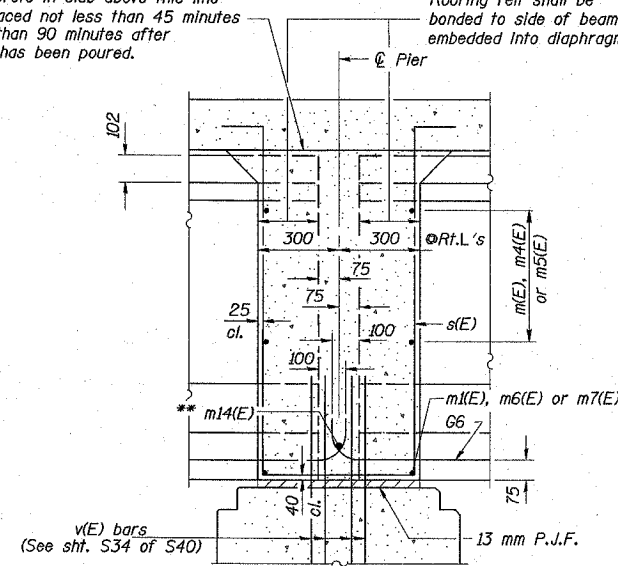
ROUTE NO.	SECTION	COUNTY	TOTAL SHEETS	SHEET NO.	SHEET NO. S12
FALU 2783	1314B	COOK	160	90	S40 SHEETS
FED. ROAD DIST. NO. 7	ILLINOIS	FED. AID PROJECT			
CONTRACT 60293					



Note:
Provide conduit blockout between Beams 7 & 8 and 10 & 11. See Sheet S12 for blockout details. Cost included with Concrete Superstructure.

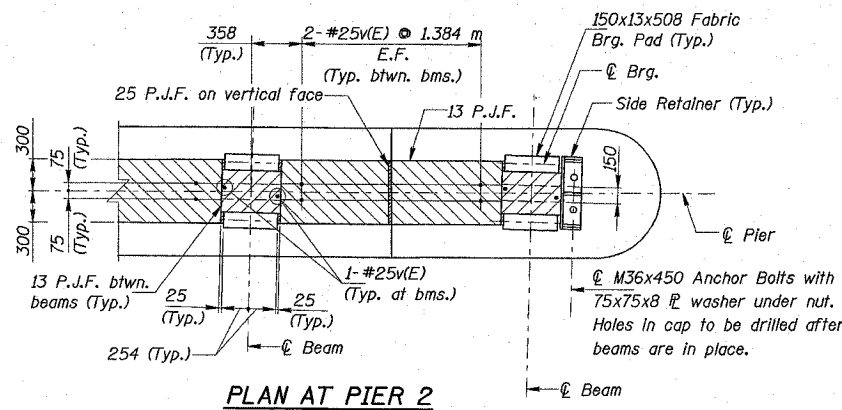
Pour diaphragm flush with bottom of slab. Concrete in slab above this line shall be placed not less than 45 minutes nor more than 90 minutes after diaphragm has been poured.

Roofing felt shall be bonded to side of beam embedded into diaphragm.

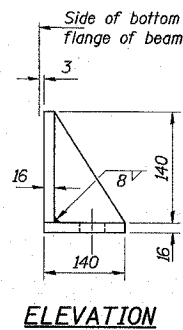


Note: Horizontal dimensions for Sec. A-A is along C of beam unless otherwise noted.

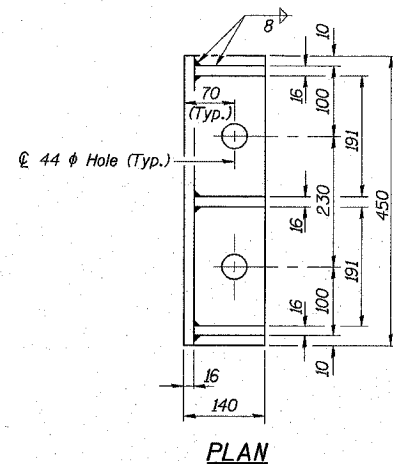
SECTION A-A (Fixed)



PLAN AT PIER 2



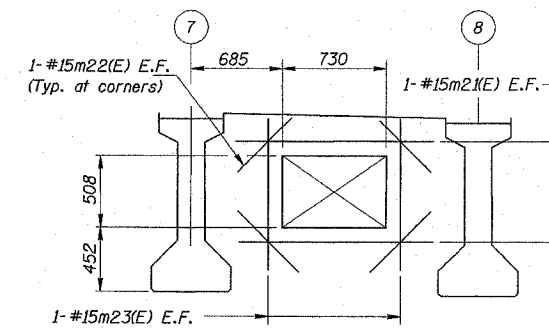
ELEVATION



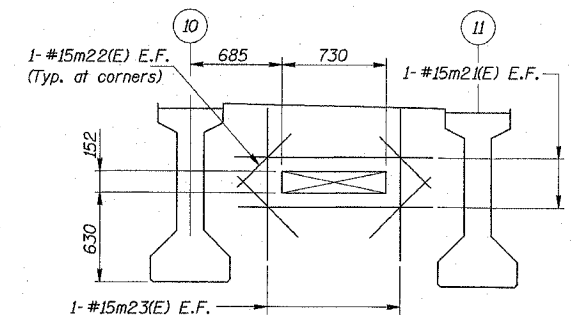
SIDE RETAINER
Equivalent rolled angle with stiffeners will be allowed in lieu of welded plates.

** Tightly fasten the #25 bars together with 3.8 mm wire ties.

Cost of 4.4 kg/m² roofing felt is included with Concrete Superstructure.



DIAPHRAGM BLOCKOUT FOR 12 CONDUITS (Showing additional reinforcement only)



DIAPHRAGM BLOCKOUT FOR 4 CONDUITS (Showing additional reinforcement only)

Note:
Cut or adjust diaphragm reinforcement as required to miss blockout. Contractor to completely fill space around conduits for full depth of abutment backwall with concrete or other appropriate material subject to approval of Engineer. Contractor may also elect to use pipe sleeves instead of blockout, subject to approval of the Engineer. Cost included with Concrete Superstructure. Details shown above reflect conduit relocation, and if conduits are ultimately not relocated per conduit owner directions, locations of blockouts need to be adjusted accordingly.

Legend:

F.F. = Front Face
B.F. = Back Face
E.F. = Each Face

Notes:

Reinforcement bars designated (E) shall be epoxy coated. All dimensions are in millimeters (mm) except as noted. See Sheet S16 for Bill of Material.

COLLINS ENGINEERS
123 N. WACKER DR., SUITE 300
CHICAGO, IL 60606
(312) 704-9300
ILLINOIS PROFESSIONAL DESIGN FIRM
LICENSE NO. 194-000993

REVISIONS	
NAME	DATE

ILLINOIS DEPARTMENT OF TRANSPORTATION
F.A.I. 90 (I-90)
AT NAGLE AVENUE
F.A.U. RTE. 2783 SEC 1314B
COOK COUNTY STATION 0+998.813
STRUCTURE NO. 016-0708

SUPERSTRUCTURE DETAILS-IV

DRAWN BY KAC
CHECKED BY LDB/DGS

DATE: DEC. 2004