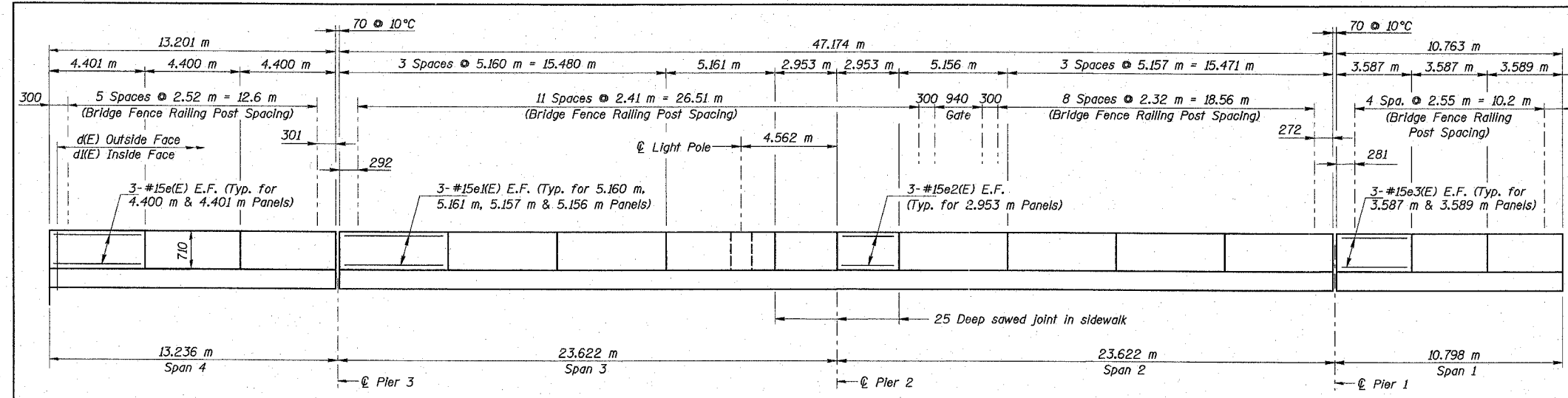
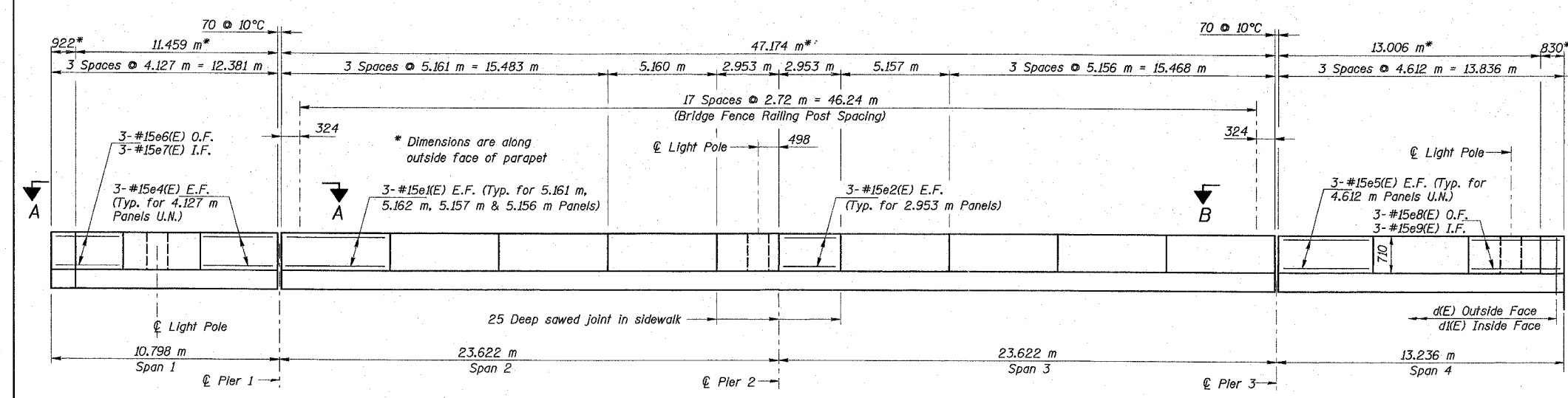


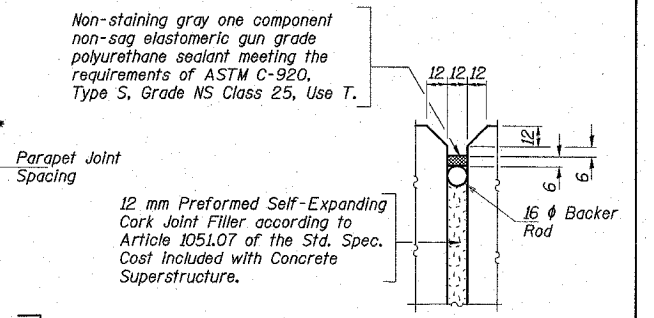
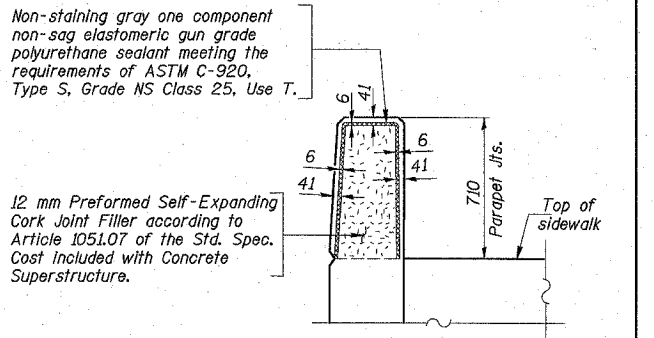
ROUTE NO.	SECTION	COUNTY	TOTAL SHEETS	SHEET NO.	SHEET NO. S13
FAU 2783	1314B	COOK	160	91	S40 SHEETS
FED. ROAD DIST. NO. 7		BILLING	FED. AID PROJECT		
CONTRACT 60293					



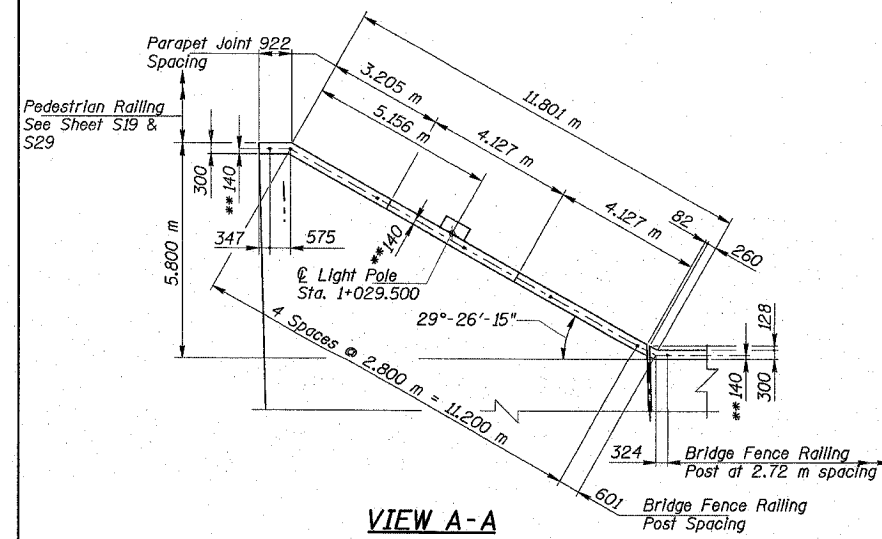
INSIDE ELEVATION OF WEST PARAPET



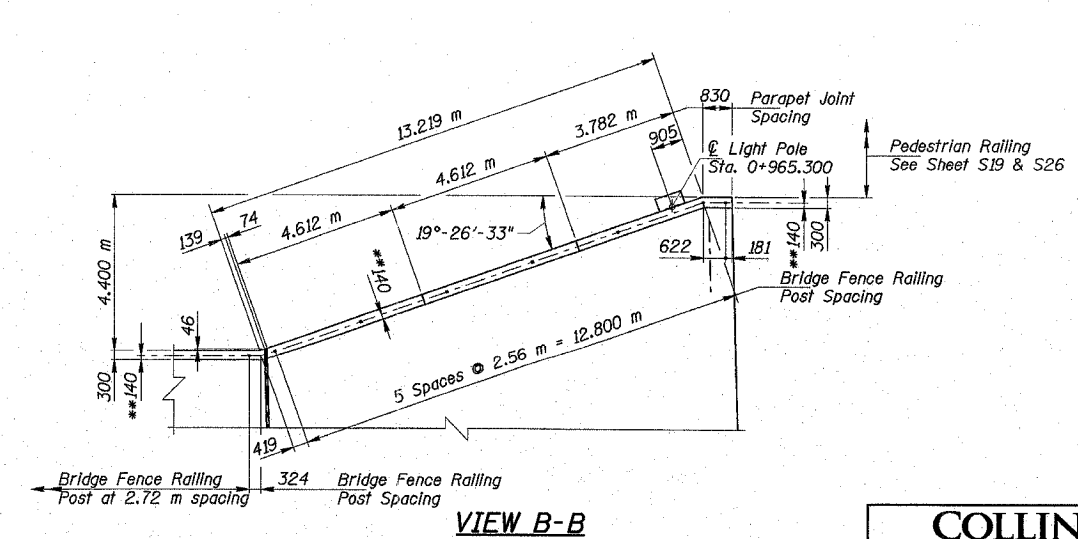
INSIDE ELEVATION OF EAST PARAPET



PARAPET JOINT DETAILS



VIEW A-A



VIEW B-B

** 140 To \varnothing Interior post and 133.5 to \varnothing exterior post. See Sheet S17

Notes:
 Reinforcement bars designated (E) shall be epoxy coated.
 All dimensions are in millimeters (mm) except as noted.
 See Sheets S17 & S18 for Bridge Fence Railing.
 See Sheet S19 for Pedestrian Railing Details.
 See Sheet S16 for Bill of Materials.

COLLINS ENGINEERS
 123 N. WACKER DR., SUITE 300
 CHICAGO, IL 60606
 (312) 704-9300
 ILLINOIS PROFESSIONAL DESIGN FIRM
 LICENSE NO. 184-000993

REVISIONS	
NAME	DATE

ILLINOIS DEPARTMENT OF TRANSPORTATION
 F.A.I. 90 (I-90)
 AT NAGLE AVENUE
 F.A.U. RTE. 2783 SEC 1314B
 COOK COUNTY STATION 1+001.212
 STRUCTURE NO. 016-0708

SUPERSTRUCTURE DETAILS-V

DRAWN BY KAC
 CHECKED BY LDB/DGS
 DATE: DEC. 2004