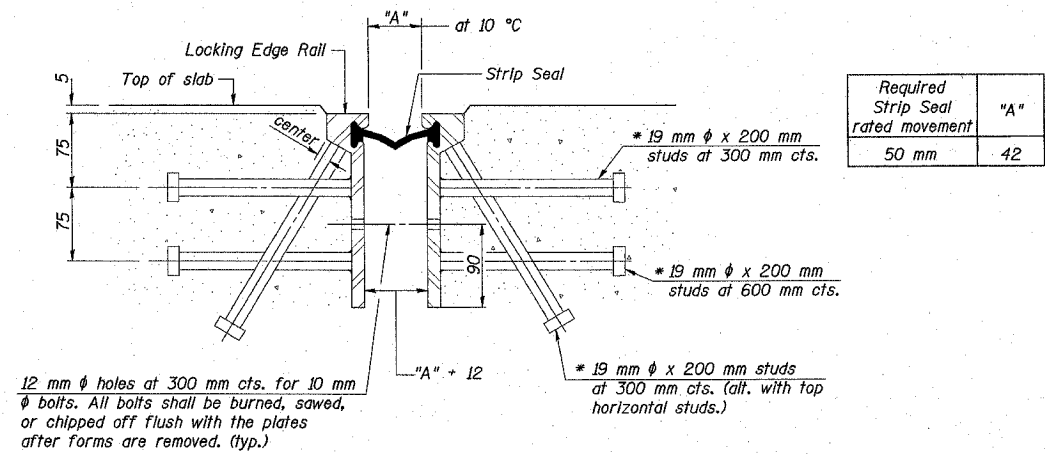
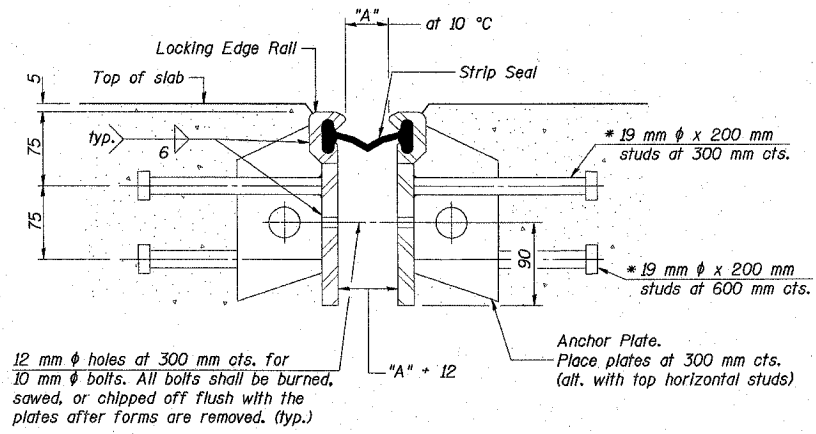


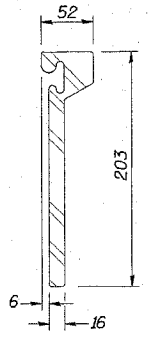
ROUTE NO.	DISTRICT	COUNTY	TOTAL SHEETS	SHEET NO.	SHEET NO. S15
FAUJ 2783	1314B	COOK	160	93	540 SHEETS
FED. ROAD DIST. NO. 7	ILLINOIS	FED. AID PROJECT			
CONTRACT 60293					



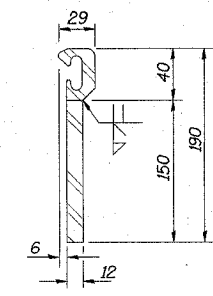
SECTION THRU ROLLED RAIL EXP. JOINT
(840 Studs Required)



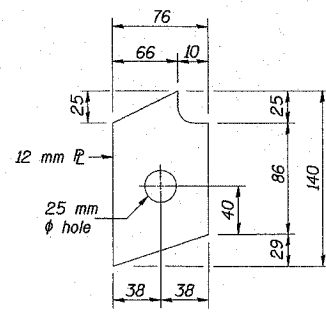
SECTION THRU WELDED RAIL EXP. JOINT
(504 Studs Required)
(336 Anchor Plates Required)



ROLLED (EXTRUDED) RAIL

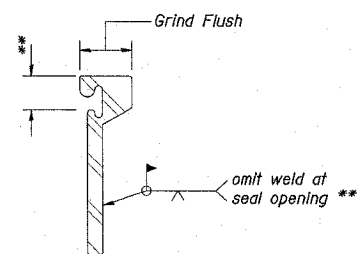


WELDED RAIL



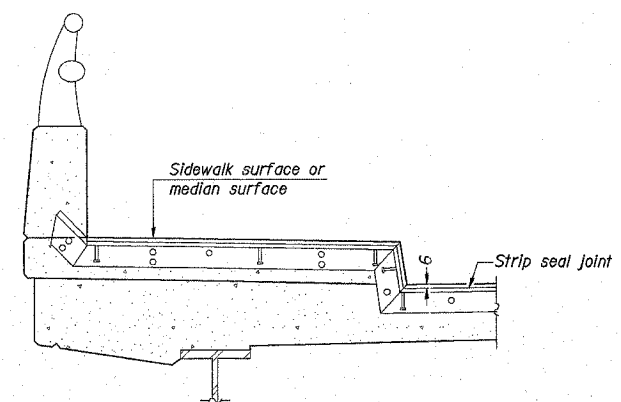
ANCHOR PLATE
(for welded rail)

LOCKING EDGE RAILS



LOCKING EDGE RAIL SPLICE

** The inside of the locking edge rail groove shall be free of weld residue.



AT SIDEWALK OR MEDIAN
TYPICAL END TREATMENTS

BRIDGE JOINT SYSTEM - EXPANSION
(ALTERNATE-STRIP SEAL)

EJ-BJS (M)

COLLINS ENGINEERS
123 N. WACKER DR., SUITE 300
CHICAGO, IL 60606
(312) 704-9300
ILLINOIS PROFESSIONAL DESIGN FIRM
LICENSE NO. 184-000993

REVISIONS	
NAME	DATE

ILLINOIS DEPARTMENT OF TRANSPORTATION
F.A.I. 90 (I-90)
AT NAGLE AVENUE
F.A.U. RTE. 2783 SEC 1314B
COOK COUNTY STATION 0+998.813
STRUCTURE NO. 016-0708
SUPERSTRUCTURE DETAILS-VII
DRAWN BY KAC
CHECKED BY LDB/DGS
DATE: DEC. 2004