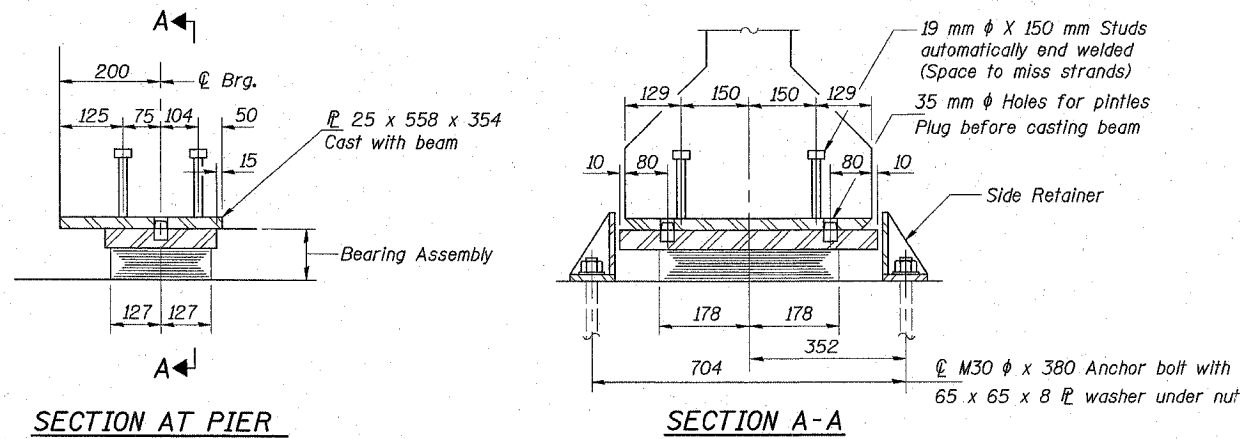
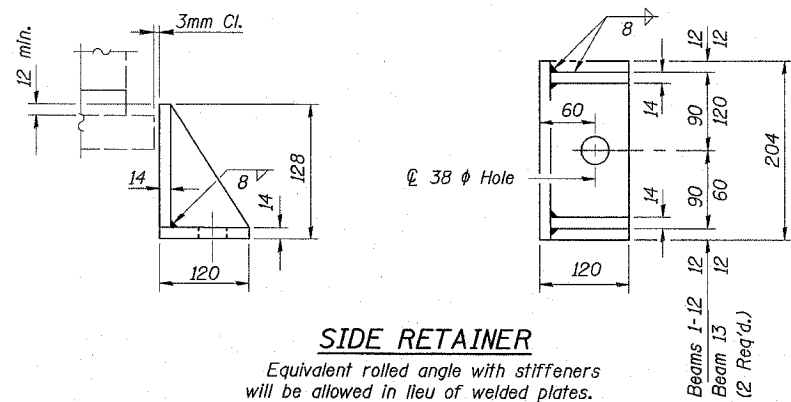
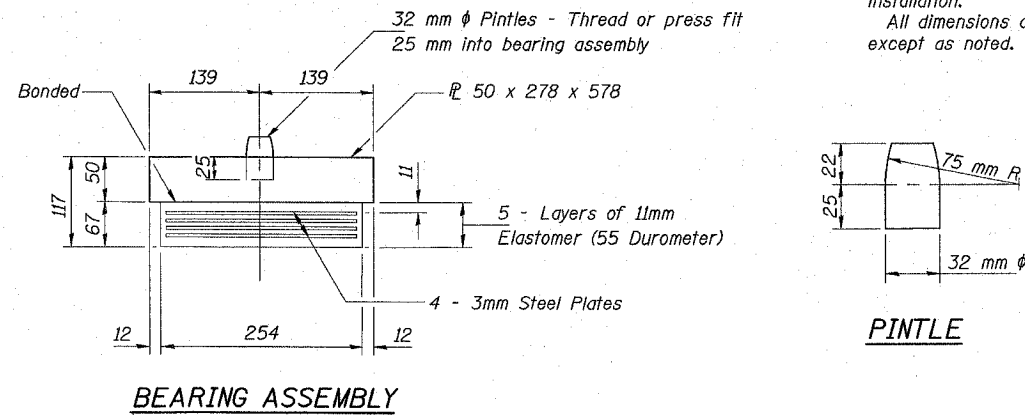


ROUTE NO.	SECTION	COUNTY	TOTAL SHEETS	SHEET NO.	SHEET NO. S24
FAU 2783	1314B	COOK	160	102	S40 SHEETS
FED. ROAD DIST. NO. 7	ILLINOIS	FED. AID PROJECT	CONTRACT 60293		



**TYPE I ELASTOMERIC EXP. BRG.
 SPANS 1,2,3 & 4 AT PIERS 1 & 3**

Notes: After beams have been erected holes at expansion bearings shall be drilled and anchor bolts grouted in place. See sheet S38 of S40 for anchor bolt installation. All dimensions are in millimeters (mm) except as noted.



BILL OF MATERIAL

Item	Unit	Total
Elastomeric Bearing Assembly, Type I	Each	50

COLLINS ENGINEERS
 123 N. WACKER DR., SUITE 300
 CHICAGO, IL 60606
 (312) 704-8300
 ILLINOIS PROFESSIONAL DESIGN FIRM
 LICENSE NO. 184-000993

REVISIONS	
NAME	DATE

ILLINOIS DEPARTMENT OF TRANSPORTATION
 F.A.I. 90 (I-90)
 AT NAGLE AVENUE
 F.A.U. RTE. 2783 SEC 1314B
 COOK COUNTY STATION 0+998.813
 STRUCTURE NO. 016-0708

BEARING DETAILS

DRAWN BY KAC
 CHECKED BY LDB/DGS DATE: DEC. 2004