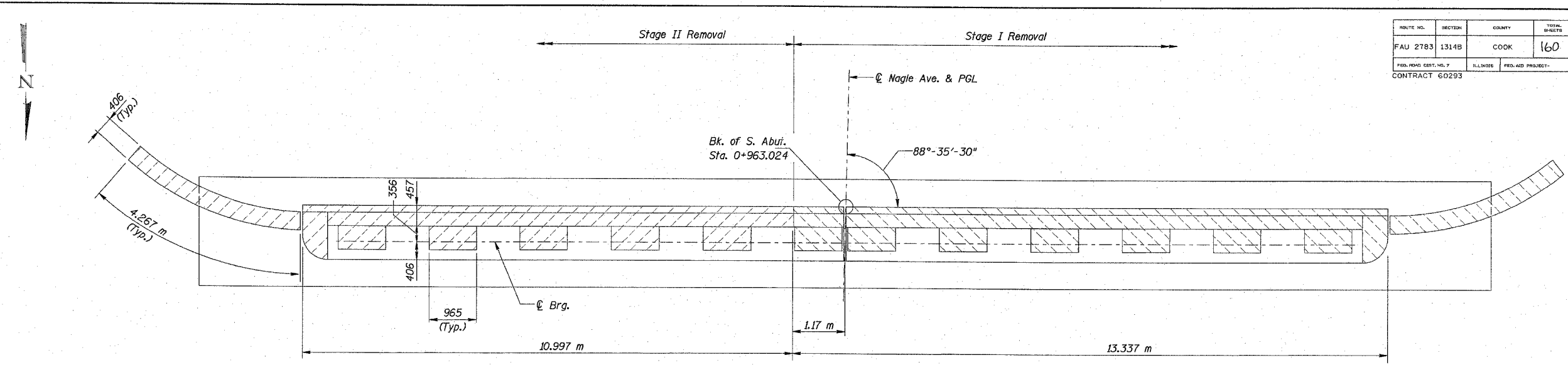
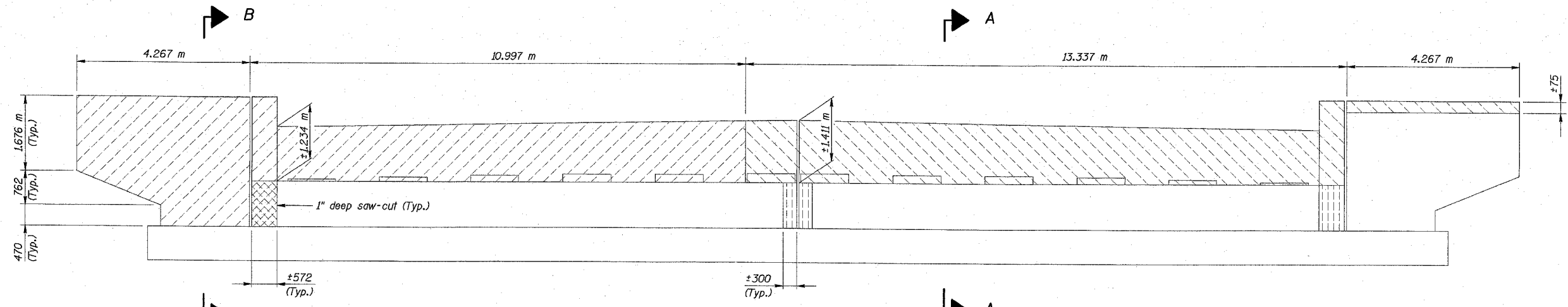


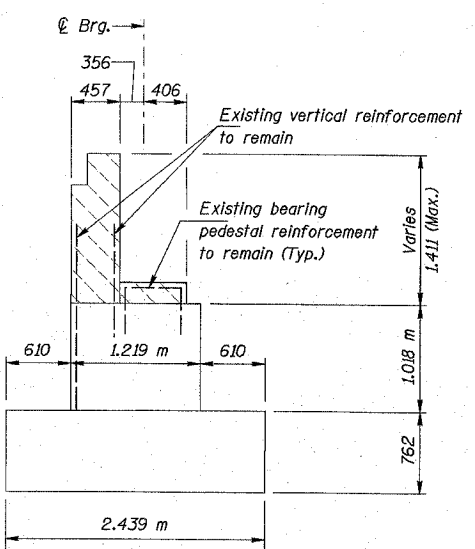
ROUTE NO.	SECTION	COUNTY	TOTAL SHEETS	SHEET NO.	SHEET NO. S25
FAU 2783	1314B	COOK	160	103	S40 SHEETS
FED. ROAD DIST. NO. 7	ILLINOIS	FED. AID PROJECT			
CONTRACT 60293					



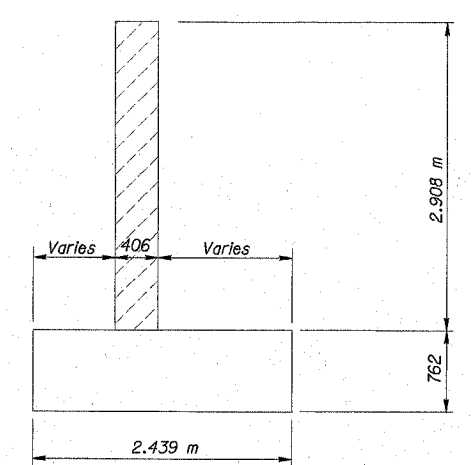
PLAN



ELEVATION
(Looking South)



SECTION A-A



SECTION B-B

- Legend:
- Stage I Removal
Denotes concrete removal, existing vertical bars to remain
 - Stage I Removal
Denotes concrete removal, existing vertical and horizontal bars to remain.
 - Stage II Removal
Denotes concrete removal, existing vertical bars to remain
 - Stage II Removal
Denotes concrete removal, existing vertical and horizontal bars to remain.

Notes:
 Sand blast clean, straighten and incorporate existing vertical and horizontal reinforcement in new construction, as noted. Cost included with Concrete Removal.
 Existing reinforcement not extending into new construction shall be cut off flush and covered with 50 mm layer of cement grout. Cost included with Concrete Removal.
 During concrete removal the contractor shall exercise care not to nick, gouge or otherwise damage the existing reinforcement that will be incorporated into the new construction.
 All dimensions are in millimeters (mm) except as noted.
 Existing anchor bolts to be cut flush with top of existing. concrete cost included with Concrete Removal pay item.

BILL OF MATERIAL

ITEM	UNIT	TOTAL
Concrete Removal	m ³	22.5

COLLINS ENGINEERS
 123 N. WACKER DR., SUITE 300
 CHICAGO, IL 60606
 (312) 704-9300
 ILLINOIS PROFESSIONAL DESIGN FIRM
 LICENSE NO. 184-000993

REVISIONS	
NAME	DATE

ILLINOIS DEPARTMENT OF TRANSPORTATION
 F.A.I. 90 (I-90)
 AT NAGLE AVENUE
 F.A.J. RTE. 2783 SEC 1314B
 COOK COUNTY STATION 0+998.813
 STRUCTURE NO. 016-0708

SOUTH ABUTMENT REMOVAL

DRAWN BY KAC
 CHECKED BY LDB/DGS
 DATE: DEC. 2004