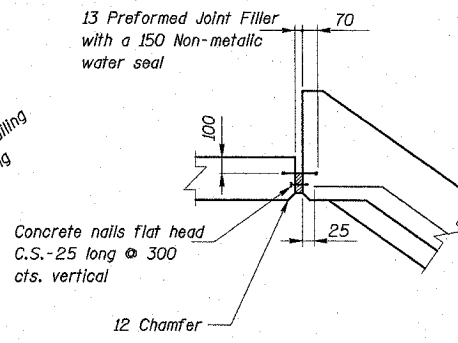


Note:
Pedestrian Railing Posts are to be set vertically.

6- #20v5(E) @ 450 cts. B.F. ***
2- #10v8(E) @ 1.22 cts. F.F.***

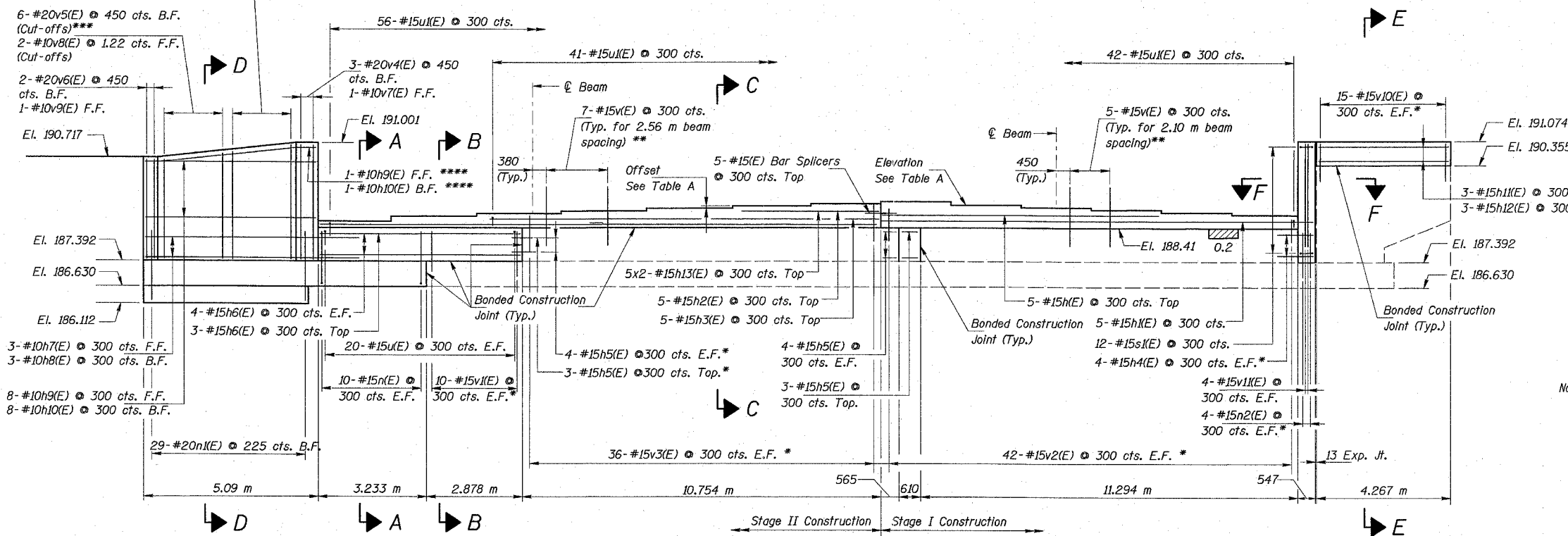
6- #20v5(E) @ 450 cts. B.F. (Cut-offs)***
2- #10v8(E) @ 1.22 cts. F.F. (Cut-offs)

2- #20v6(E) @ 450 cts. B.F.
1- #10v9(E) F.F.



DETAIL 1

| SPAN 4 | |
|----------|--------------|
| BEAM NO. | ANGLE A |
| 1 - 8 | 88°-35'-30" |
| 9 | 92°-36'-08" |
| 10 | 96°-35'-14" |
| 11 | 100°-30'-35" |
| 12 | 104°-20'-08" |
| 13 | 108°-02'-03" |



Legend:
 Indicates High Performance-Enhanced Shotcrete In square meters

Legend:
 F.F. = Front Face
 B.F. = Back Face
 E.F. = Each Face

Notes:
 Reinforcement bars designated (E) shall be epoxy coated. All dimensions are in millimeters (mm) except as noted. Bars indicated this 5x2-#15 etc. indicates 5 lines of bars with 2 lengths per line. See Sheet S27 for Footing Plan, Sections A-A, B-B, C-C, D-D, E-E, F-F and Bill of Material. See Sheet S19 for Pedestrian Railing Details.

* Drill and epoxy grout bars 300 (Min.) into existing structure according to Section 584 of the Standard Specifications.
 ** Drill and epoxy grout bars 450 (Min.) into existing structure according to Section 584 of the Standard Specifications.
 *** Use cut-offs where indicated.
 **** Bend in field as required.

| TABLE A | | | | | | | | | | | | | |
|----------------|---------|---------|---------|---------|---------|---------|---------|---------|---------|---------|---------|---------|---------|
| LOCATION | BEAM 1 | BEAM 2 | BEAM 3 | BEAM 4 | BEAM 5 | BEAM 6 | BEAM 7 | BEAM 8 | BEAM 9 | BEAM 10 | BEAM 11 | BEAM 12 | BEAM 13 |
| Step Elevation | 188.631 | 188.673 | 188.715 | 188.750 | 188.782 | 188.813 | 188.787 | 188.756 | 188.717 | 188.671 | 188.619 | 188.568 | 188.517 |
| Offset | | 42 | 42 | 35 | 32 | 31 | 26 | 31 | 39 | 46 | 52 | 51 | 51 |

COLLINS ENGINEERS
 123 N. WACKER DR., SUITE 300
 CHICAGO, ILL. 60606
 (312) 704-9300
 ILLINOIS PROFESSIONAL DESIGN FIRM
 LICENSE NO. 184-000993

| REVISIONS | |
|-----------|------|
| NAME | DATE |
| | |
| | |
| | |
| | |
| | |
| | |

ILLINOIS DEPARTMENT OF TRANSPORTATION
 F.A.I. 90 (1-90)
 AT NAGLE AVENUE
 F.A.U. RTE. 2783 SEC 1314B
 COOK COUNTY STATION 0+998.813
 STRUCTURE NO. 016-0708

SOUTH ABUTMENT
 DRAWN BY KAC
 CHECKED BY LDB/DGS
 DATE: DEC. 2004