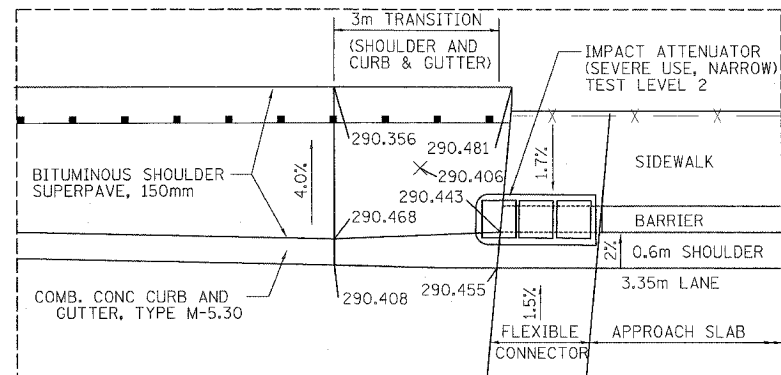
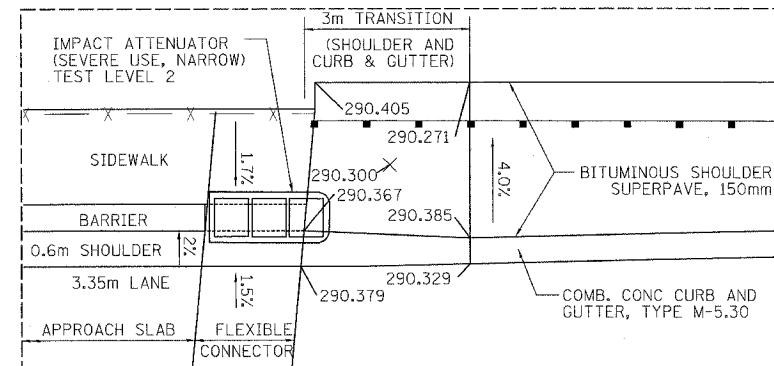


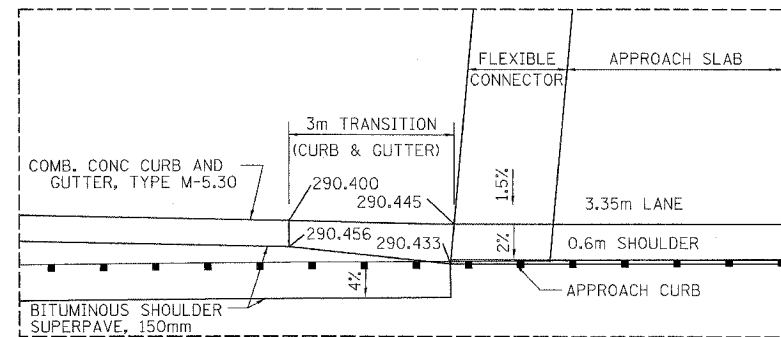
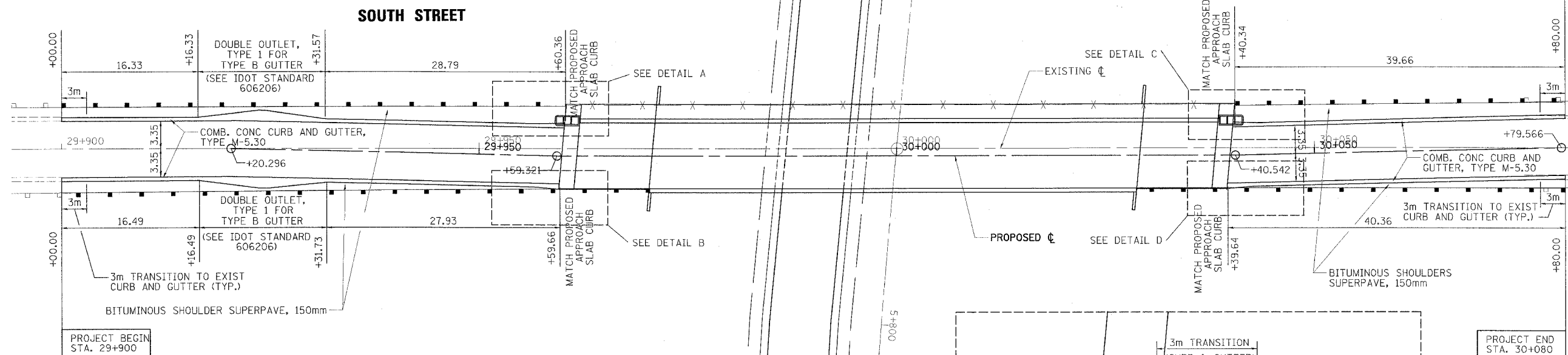
FAP RTE.	SECTION	COUNTY	TOTAL SHEETS	SHEET NO.
305	28R-2-RS-1	McHENRY	53	9
STA.	TO STA.			
FED. ROAD DIST. NO.	ILLINOIS	FED. AID PROJECT		
CONTRACT NUMBER: 60756				



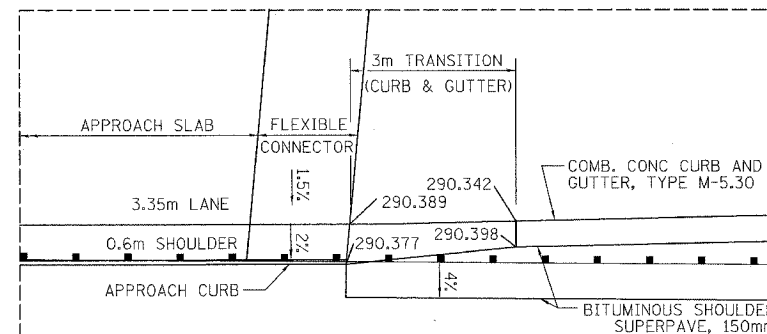
DETAIL A
NTS



DETAIL C
NTS



DETAIL B
NTS



DETAIL D
NTS

NOTE:
ALL DIMENSIONS IN METERS UNLESS OTHERWISE NOTED.

REVISIONS	
NAME	DATE

ILLINOIS DEPARTMENT OF TRANSPORTATION
SOUTH STREET
CURB AND GUTTER LAYOUT DETAILS

SCALE 1:250
DATE DECEMBER 2004

DRAWN BY AAF
CHECKED BY BAP

HOH
HARRY O. HEFFER - ASSOCIATES, INC.
DESIGN AND CONSULTING ENGINEERS
95 East Jackson Blvd.
Chicago, Illinois 60604
312.948-8131

PROJECT NUMBER 1962
FILE NAME G:\PROJECTS\1962\DGNS\CIVIL\1962CCGD.DGN

CCGD